



Chipsmall Limited consists of a professional team with an average of over 10 year of expertise in the distribution of electronic components. Based in Hongkong, we have already established firm and mutual-benefit business relationships with customers from,Europe,America and south Asia,supplying obsolete and hard-to-find components to meet their specific needs.

With the principle of "Quality Parts,Customers Priority,Honest Operation,and Considerate Service",our business mainly focus on the distribution of electronic components. Line cards we deal with include Microchip,ALPS,ROHM,Xilinx,Pulse,ON,Everlight and Freescale. Main products comprise IC,Modules,Potentiometer,IC Socket,Relay,Connector.Our parts cover such applications as commercial,industrial, and automotives areas.

We are looking forward to setting up business relationship with you and hope to provide you with the best service and solution. Let us make a better world for our industry!



Contact us

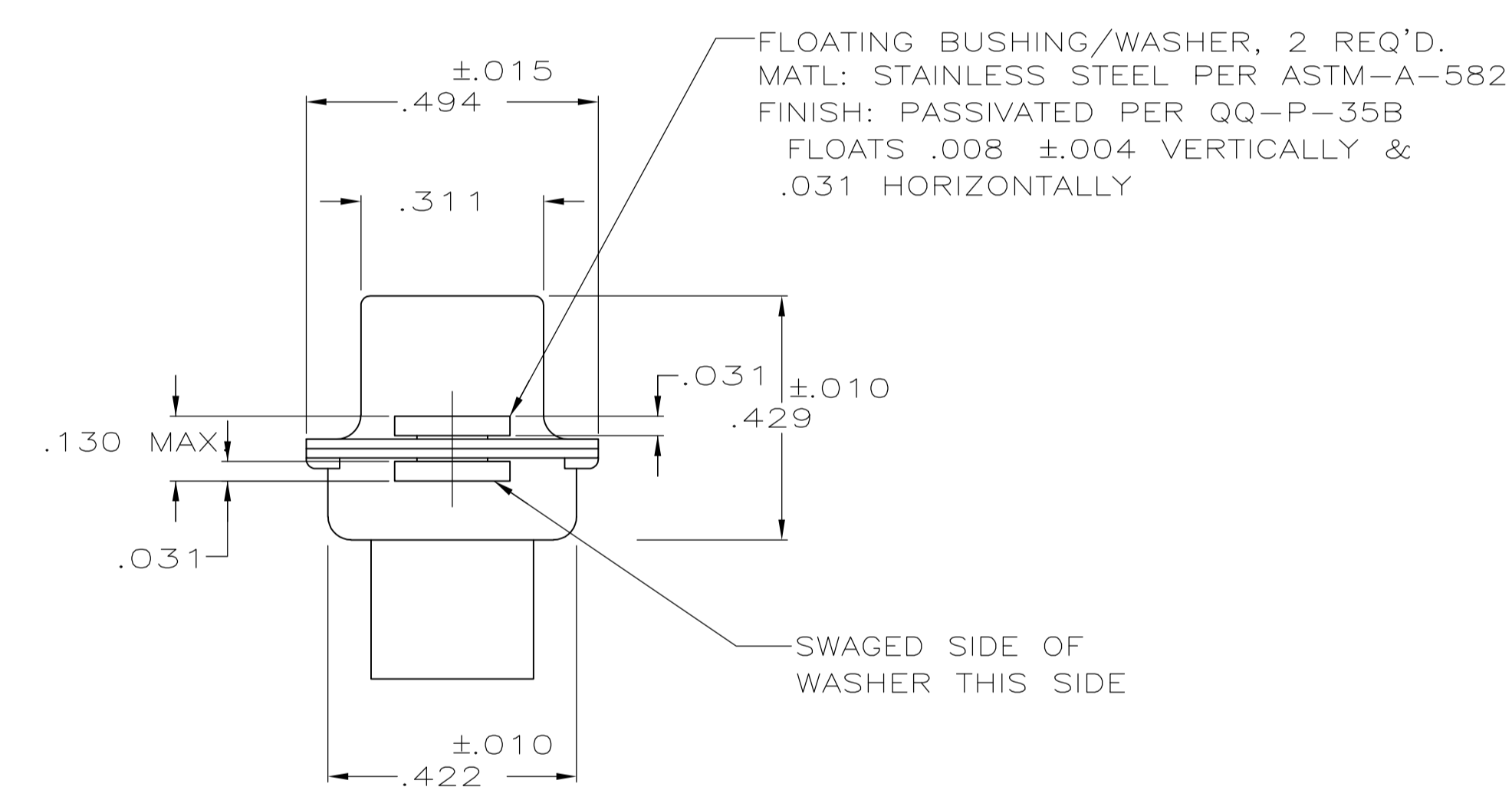
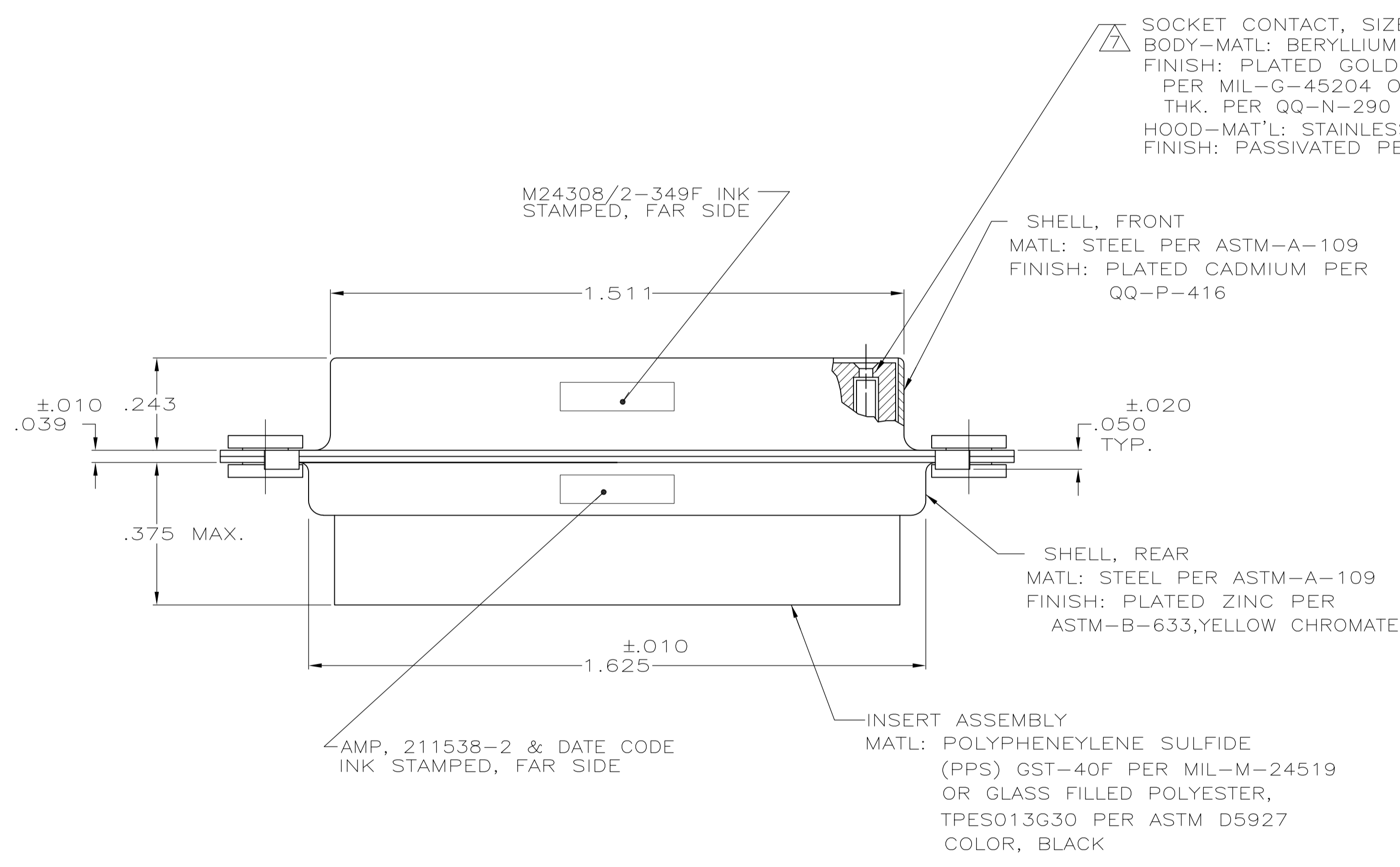
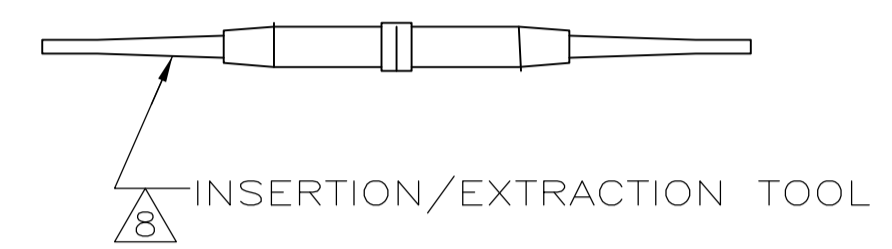
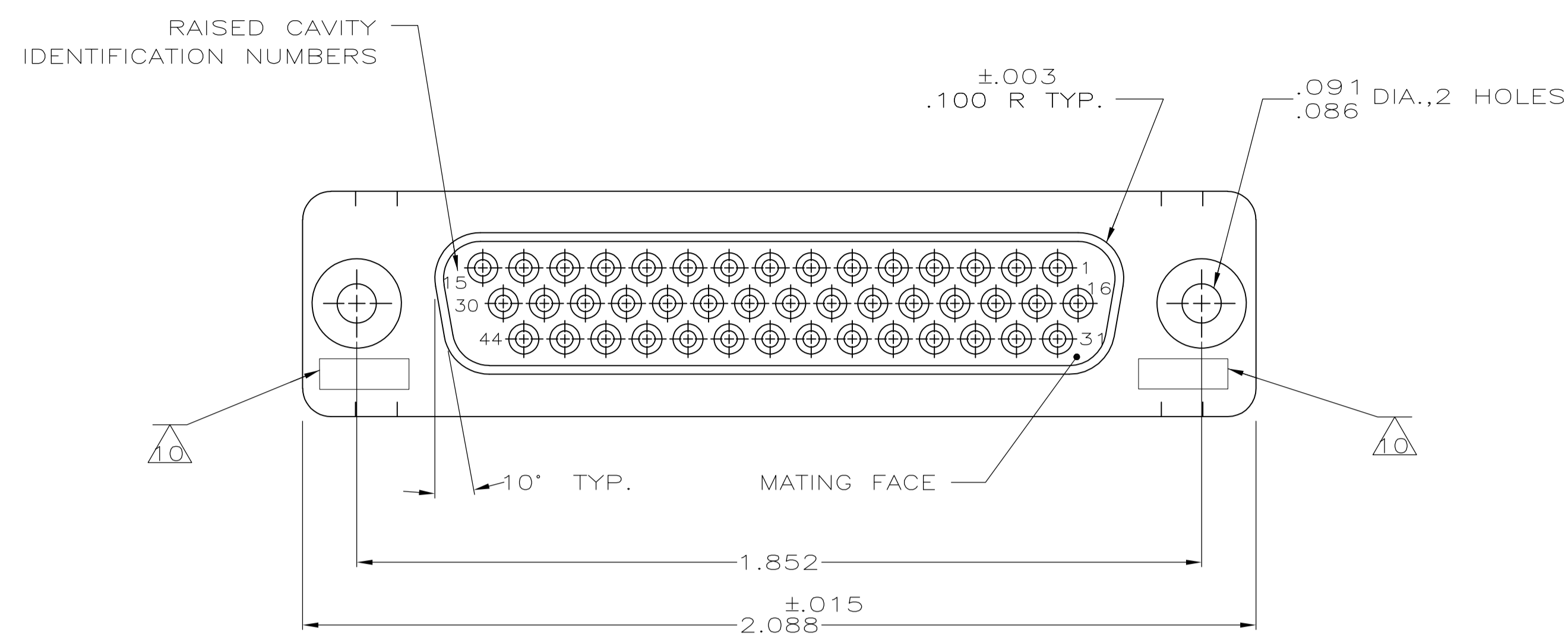
Tel: +86-755-8981 8866 Fax: +86-755-8427 6832

Email & Skype: info@chipsmall.com Web: www.chipsmall.com

Address: A1208, Overseas Decoration Building, #122 Zhenhua RD., Futian, Shenzhen, China



LOC		DIST		REVISIONS			
DF	DO	REV	DATE	BY	CHK	APPV	
F		1	REVISED PER ECO-10-025541	24DEC10	SK	RL	



- THIS RECEPTACLE WILL MATE WITH ANY 44 POSN., SIZE 3 PLUG IN AMPLIMITE SERIES.
- MAXIMUM WIRE INSULATION TO BE USED WITH THIS RECEPTACLE IS .054 DIA.
- SST RETENTION CLIPS ARE INCLUDED IN INSERTS.

- 4 PACKAGE STAMPED M24308/2-489F & AMP P/N 211538-1
- 5 PACKAGE STAMPED M24308/2-349F & AMP P/N 211538-2
- 6 PACKAGE STAMPED M24308/2-360F & AMP P/N 211538-3
- 7 AMP P/N 204351-1; MIL P/N 57-354, INCLUDED IN KIT
- 8 AMP P/N 91067-1; MIL P/N M81969/1-04
- 9 CONNECTOR SUPPLIED WITHOUT CONTACTS; SHOWN FOR ILLUSTRATION ONLY.
- 10 UL/CSA DESIGNATION STAMPED IN THIS AREA, OPTIONAL

DESCRIPTION	PART NO
SUPSD BY 204540-2 & 91067-1	211538-3
SAME AS -1 EXCEPT: 6, 7, 8	211538-2
AS SHOWN	211538-1

THIS DRAWING IS A CONTROLLED DOCUMENT.

DIMENSIONS: INCHES	TOLERANCES UNLESS OTHERWISE SPECIFIED:	0. PLC \pm -	1. PLC \pm -	2. PLC \pm -	3. PLC \pm .005	4. PLC ANGLES \pm θ 30'
MATERIAL SEE CALLOUT	FINISH SEE CALLOUT	WEIGHT	SIZE	CAGE CODE	DRAWING NO	RESTRICTED TO
			A1	00779	211538	

CUSTOMER DRAWING

SCALE NTS SHEET 1 OF 1 REV F

THIS DRAWING IS A CONTROLLED DOCUMENT. D ERDMAN 6-18-85
 CHK R GRZYBOWSKI 9-20-85
 APVD G SACUNAS 9-20-85
 NAME Tyco Electronics Corporation Harrisburg, PA 17105-3608
 PRODUCT SPEC
 APPLICATION SPEC
 SIZE CAGE CODE DRAWING NO
 WEIGHT