



Chipsmall Limited consists of a professional team with an average of over 10 year of expertise in the distribution of electronic components. Based in Hongkong, we have already established firm and mutual-benefit business relationships with customers from,Europe,America and south Asia,supplying obsolete and hard-to-find components to meet their specific needs.

With the principle of “Quality Parts,Customers Priority,Honest Operation,and Considerate Service”,our business mainly focus on the distribution of electronic components. Line cards we deal with include Microchip,ALPS,ROHM,Xilinx,Pulse,ON,Everlight and Freescale. Main products comprise IC,Modules,Potentiometer,IC Socket,Relay,Connector.Our parts cover such applications as commercial,industrial, and automotives areas.

We are looking forward to setting up business relationship with you and hope to provide you with the best service and solution. Let us make a better world for our industry!



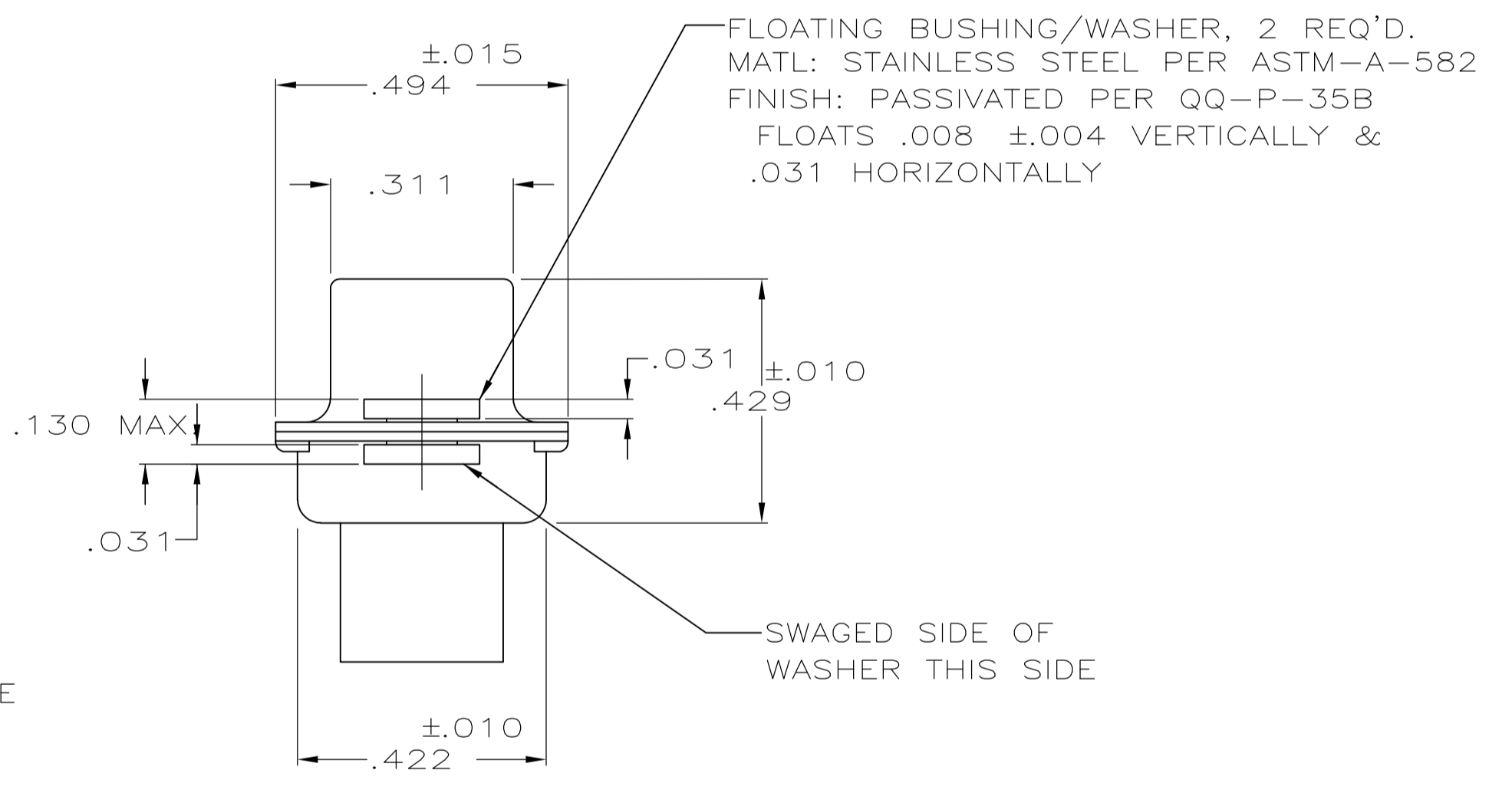
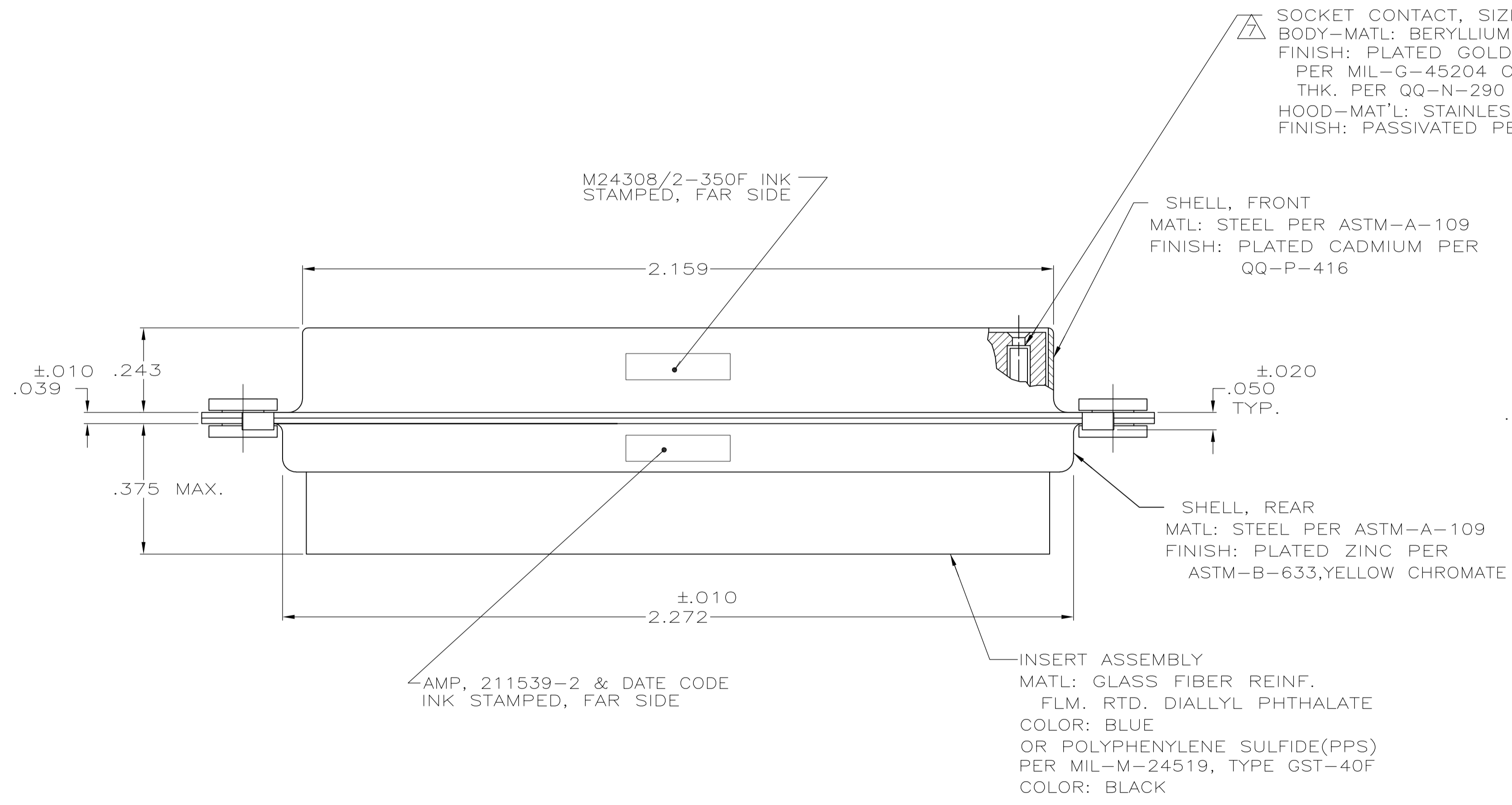
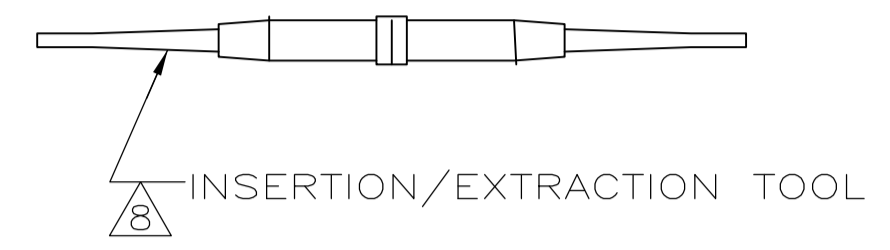
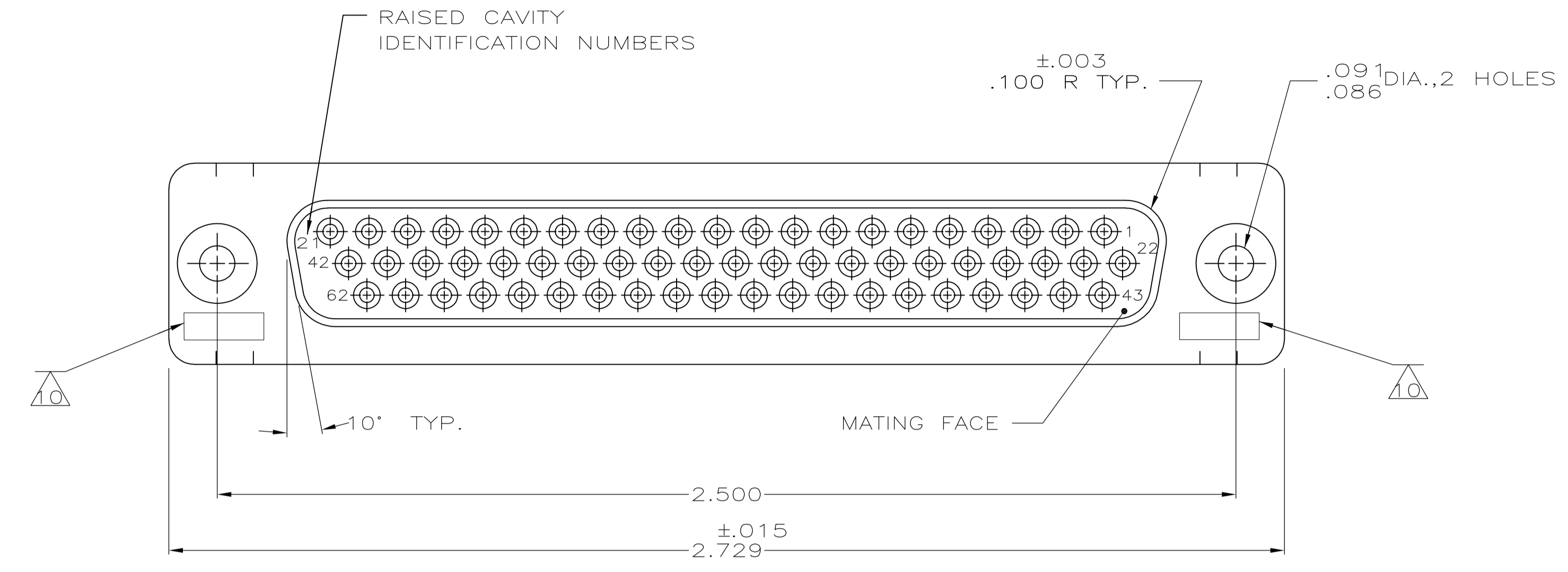
Contact us

Tel: +86-755-8981 8866 Fax: +86-755-8427 6832

Email & Skype: info@chipsmall.com Web: www.chipsmall.com

Address: A1208, Overseas Decoration Building, #122 Zhenhua RD., Futian, Shenzhen, China





SOCKET CONTACT, SIZE 22, 62 REQD.
 BODY-MATL: BERYLLIUM COPPER PER QQ-C-530
 FINISH: PLATED GOLD .000050 MIN. THK.
 PER MIL-G-45204 OVER NICKEL .000050 MIN.
 THK. PER QQ-N-290
 HOOD-MAT'L: STAINLESS STEEL PER QQ-S-766
 FINISH: PASSIVATED PER QQ-P-35B

SHELL, FRONT
 MATL: STEEL PER ASTM-A-109
 FINISH: PLATED CADMIUM PER
 QQ-P-416

SHELL, REAR
 MATL: STEEL PER ASTM-A-109
 FINISH: PLATED ZINC PER
 ASTM-B-633, YELLOW CHROMATE

INSERT ASSEMBLY
 MATL: GLASS FIBER REINF.
 FLM. RTD. DIALLYL PHTHALATE
 COLOR: BLUE
 OR POLYPHENYLENE SULFIDE(PPS)
 PER MIL-M-24519, TYPE GST-40F
 COLOR: BLACK

1. THIS RECEPTACLE WILL MATE WITH ANY 62 POSN., SIZE 4 PLUG IN AMPLIMITE SERIES.
2. MAXIMUM WIRE INSULATION TO BE USED WITH THIS RECEPTACLE IS .054 DIA.
3. SST RETENTION CLIPS ARE INCLUDED IN INSERTS.

- ④ PACKAGE STAMPED M24308/2-490F & AMP P/N 211539-1
- ⑤ PACKAGE STAMPED M24308/2-350F & AMP P/N 211539-2
- ⑥ PACKAGE STAMPED M24308/2-361F & AMP P/N 211539-3
- ⑦ AMP P/N 204351-1; MIL P/N 57-354, INCLUDED IN KIT
- ⑧ AMP P/N 91067-1; MIL P/N M81969/1-04
- ⑨ CONNECTOR SUPPLIED WITHOUT CONTACTS; SHOWN FOR ILLUSTRATION ONLY.
- ⑩ UL/CSA DESIGNATION STAMPED IN THIS AREA, OPTIONAL

SUPSD BY 204542-2 & 91067-1	SAME AS -1 EXCEPT: ⑥ ⑦ ⑧	211539-3
	SAME AS -1 EXCEPT: ⑤ ⑦	211539-2
	AS SHOWN ④ ⑨	211539-1
	DESCRIPTION	PART NO

THIS DRAWING IS A CONTROLLED DOCUMENT		Tyco Electronics Corporation Harrisburg, PA 17105-3608	
DIMENSIONS: INCHES	TOLERANCES UNLESS OTHERWISE SPECIFIED: 0. PLC ± - 1. PLC ± - 2. PLC ± - 3. PLC ± .005 4. PLC ± - ANGLES ± -	PRODUCT SPEC	NAME RECEPTACLE ASS'Y., AMPLIMITE, 62 POSN., SIZE 4, SERIES 90, W/DUAL FLOAT BUSHINGS
MATERIAL SEE CALLOUT	FINISH SEE CALLOUT	WEIGHT	SIZE A1
CUSTOMER DRAWING		SCALE NTS	SHEET 1 OF 1