



Chipsmall Limited consists of a professional team with an average of over 10 year of expertise in the distribution of electronic components. Based in Hongkong, we have already established firm and mutual-benefit business relationships with customers from,Europe,America and south Asia,supplying obsolete and hard-to-find components to meet their specific needs.

With the principle of "Quality Parts,Customers Priority,Honest Operation,and Considerate Service",our business mainly focus on the distribution of electronic components. Line cards we deal with include Microchip,ALPS,ROHM,Xilinx,Pulse,ON,Everlight and Freescale. Main products comprise IC,Modules,Potentiometer,IC Socket,Relay,Connector.Our parts cover such applications as commercial,industrial, and automotives areas.

We are looking forward to setting up business relationship with you and hope to provide you with the best service and solution. Let us make a better world for our industry!



## Contact us

Tel: +86-755-8981 8866 Fax: +86-755-8427 6832

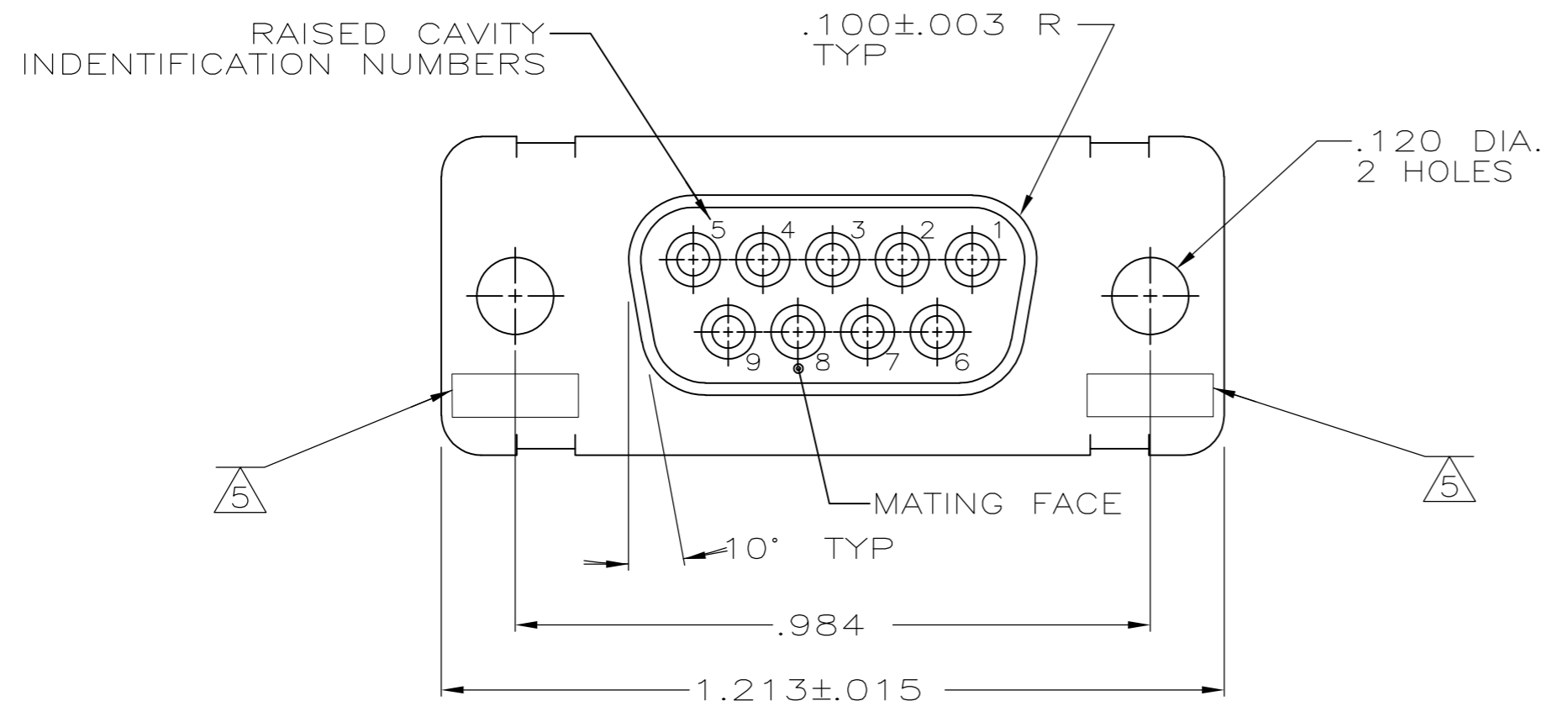
Email & Skype: info@chipsmall.com Web: www.chipsmall.com

Address: A1208, Overseas Decoration Building, #122 Zhenhua RD., Futian, Shenzhen, China

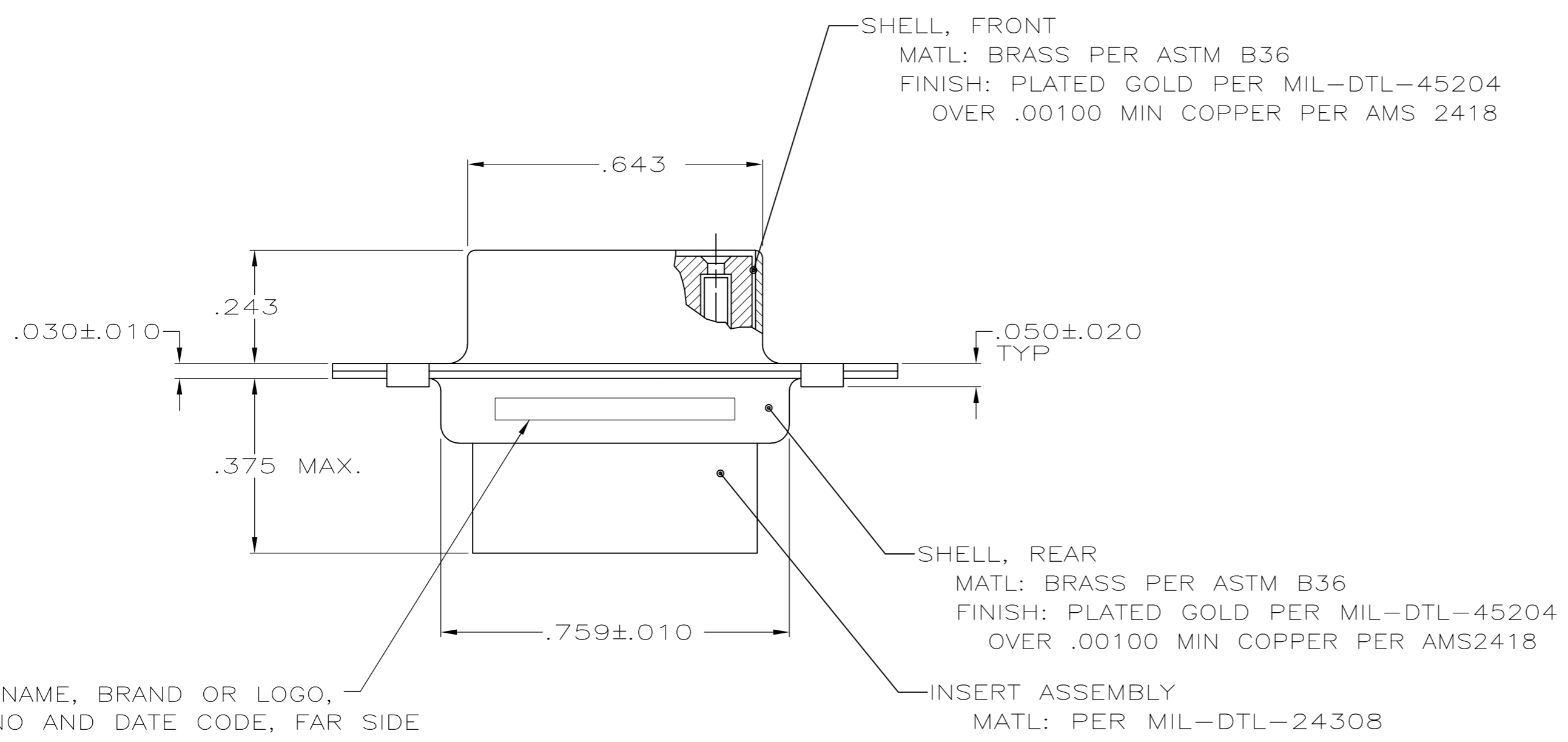


THIS DRAWING IS UNPUBLISHED. RELEASED FOR PUBLICATION  
 © COPYRIGHT - By - ALL RIGHTS RESERVED.

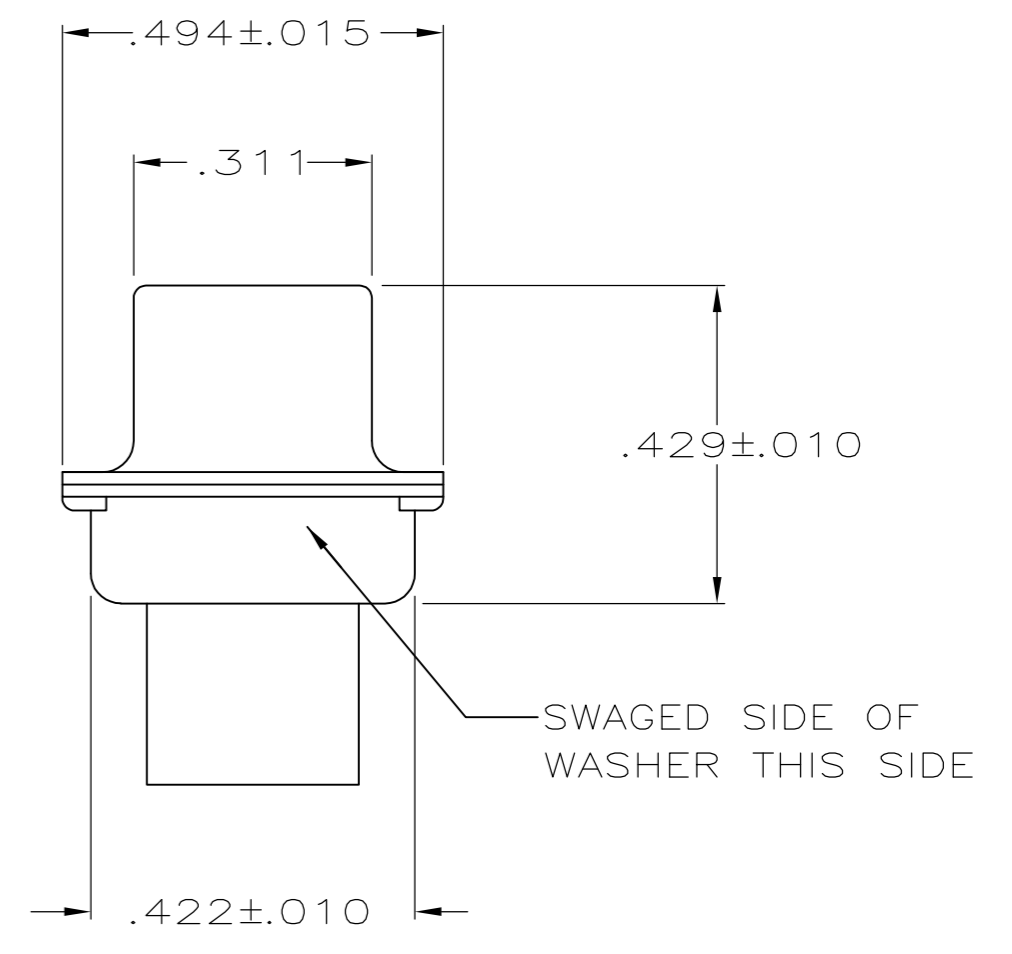
LOC		DIST		REVISIONS			
P	LTR	DESCRIPTION	DATE	DWN	APVD		
F		REVISE PER ECO-15-005911	20MAY15	KG	DM		



1. THIS RECEPTACLE WILL MATE WITH ANY 9 POSN., SIZE 1 PLUG IN THE AMPLIMITE SERIES.
  2. MAXIMUM WIRE INSULATION USED WITH THIS CONNECTOR IS .068 DIA.
  3. BE-CU RETENTION CLIPS ARE INCLUDED IN INSERT.
  4. CONNECTOR SUPPLIED WITHOUT CONTACTS; SHOWN FOR ILLUSTRATION ONLY.
- △ UL/CSA DESIGNATION STAMPED IN THIS AREA.



MFG'S NAME, BRAND OR LOGO, PART NO AND DATE CODE, FAR SIDE  
 CUSTOMER PART NO, NEAR SIDE



1A01-001RHW	1-211613-1
1A01-001RHA	211613-1
CUSTOMER PART NO	PART NO

THIS DRAWING IS A CONTROLLED DOCUMENT.		DWN T. SHUEY 11-17-87	<b>STE</b> TE Connectivity	
DIMENSIONS: INCHES		CHK F.C.BALLEW III 11-30-87		
TOLERANCES UNLESS OTHERWISE SPECIFIED:		APVD F.C.BALLEW III 11-30-87	NAME RECEPTACLE ASSEMBLY, AMPLIMITE 9 POSN, SIZE 1, SERIES 109 NON-MAGNETIC	
0 PLC ± -	1 PLC ± -	PRODUCT SPEC -	SIZE A2	CAGE CODE 00779
2 PLC ± -	3 PLC ± .005	APPLICATION SPEC -	DRAWING NO C=211613	RESTRICTED TO -
4 PLC ± -	ANGLES ± 0'30'	WEIGHT -	SCALE 4:1	SHEET 1 of 1
MATERIAL SEE CALLOUTS	FINISH SEE CALLOUTS	CUSTOMER DRAWING	REV F	