



Chipsmall Limited consists of a professional team with an average of over 10 year of expertise in the distribution of electronic components. Based in Hongkong, we have already established firm and mutual-benefit business relationships with customers from,Europe,America and south Asia,supplying obsolete and hard-to-find components to meet their specific needs.

With the principle of “Quality Parts,Customers Priority,Honest Operation,and Considerate Service”,our business mainly focus on the distribution of electronic components. Line cards we deal with include Microchip,ALPS,ROHM,Xilinx,Pulse,ON,Everlight and Freescale. Main products comprise IC,Modules,Potentiometer,IC Socket,Relay,Connector.Our parts cover such applications as commercial,industrial, and automotives areas.

We are looking forward to setting up business relationship with you and hope to provide you with the best service and solution. Let us make a better world for our industry!



Contact us

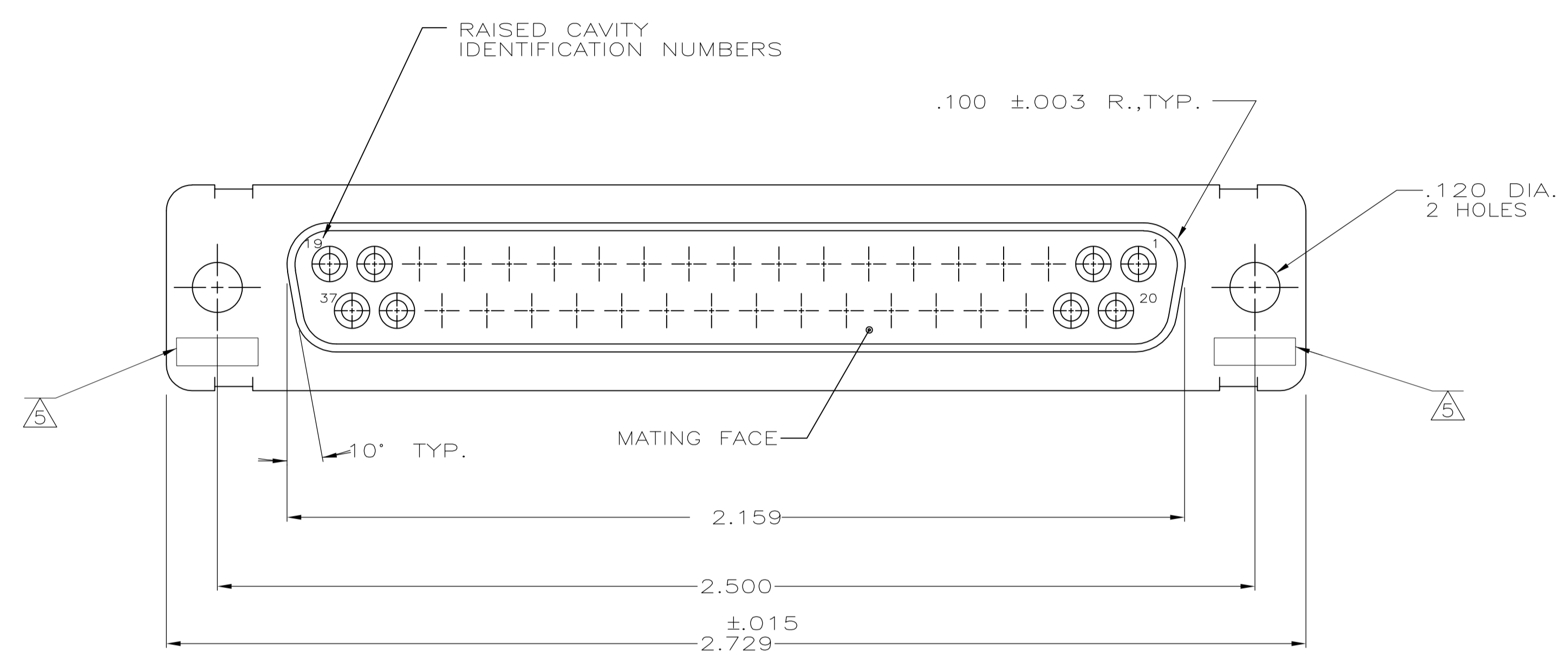
Tel: +86-755-8981 8866 Fax: +86-755-8427 6832

Email & Skype: info@chipsmall.com Web: www.chipsmall.com

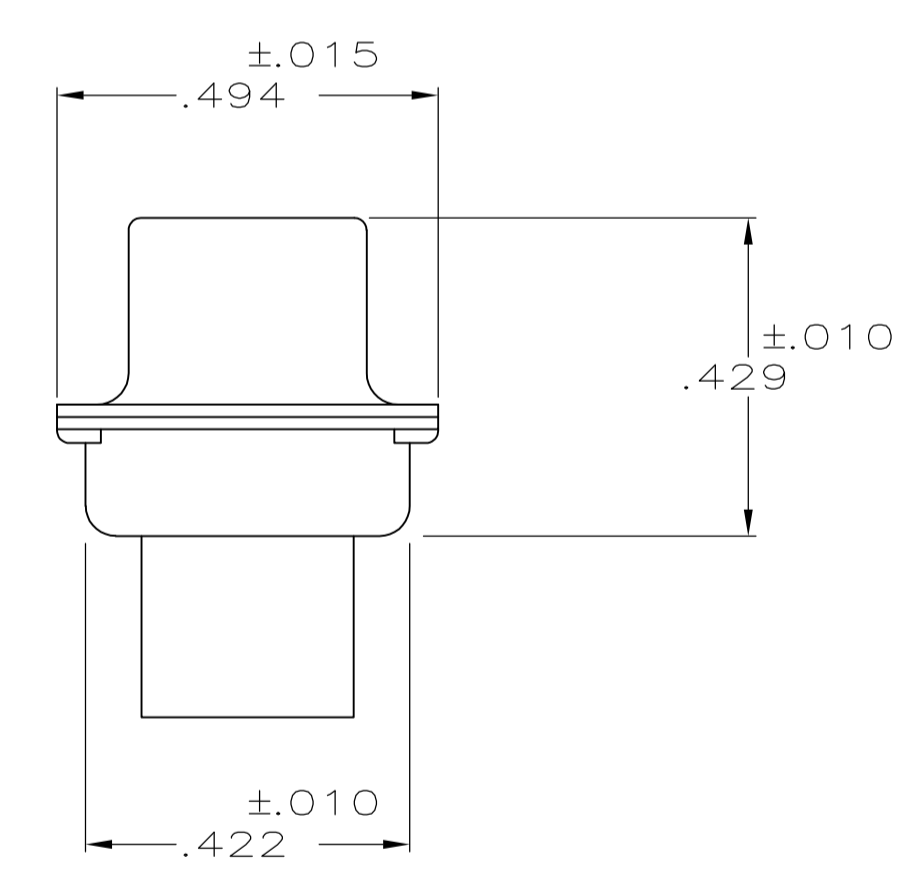
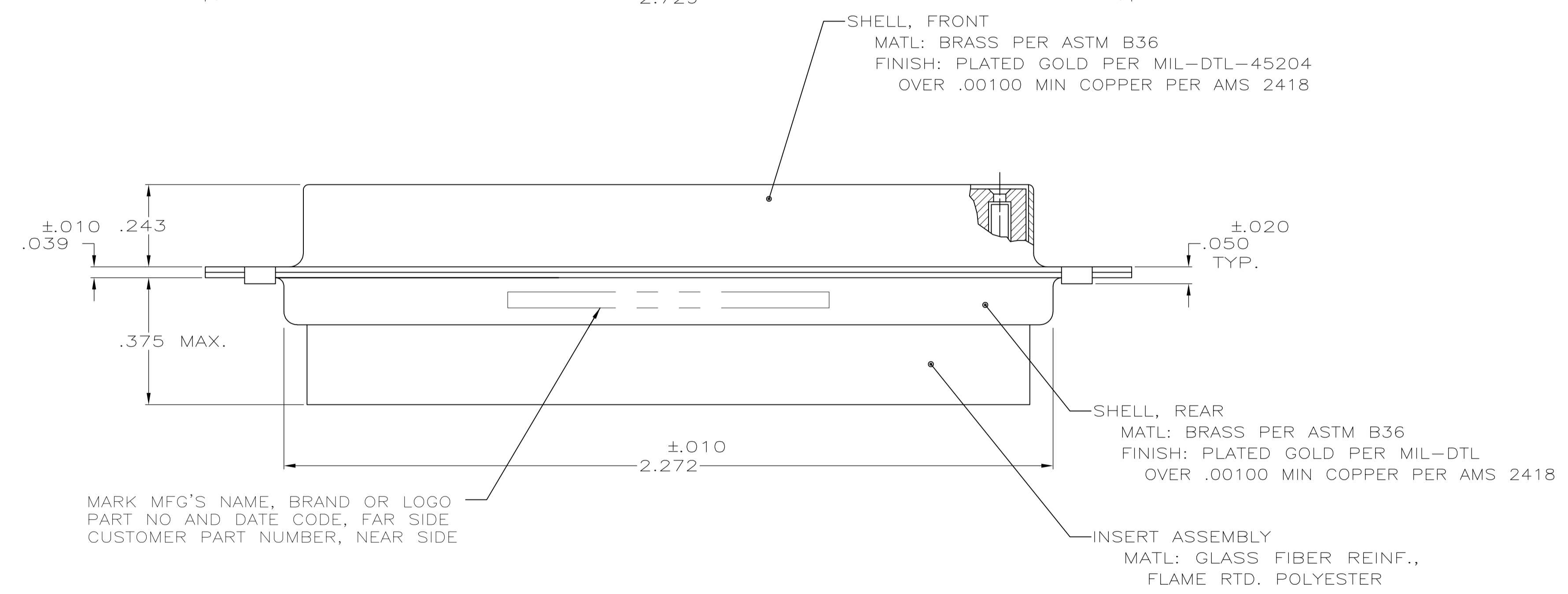
Address: A1208, Overseas Decoration Building, #122 Zhenhua RD., Futian, Shenzhen, China



LOC		DIST		REVISIONS			
P	LTR	DESCRIPTION	DATE	DN	APVD		
E		REV PER ECO-08-030664	17APR09	PY	RL		



1. THIS RECEPTACLE WILL MATE WITH ANY 37 POSN., SIZE 4 PLUG IN THE AMPLIMITE SERIES.
 2. MAXIMUM WIRE INSULATION USED WITH THIS CONNECTOR IS .068 DIA.
 3. BE-CU RETENTION CLIPS ARE INCLUDED IN INSERT.
 4. CONNECTOR SUPPLIED WITHOUT CONTACTS; SHOWN FOR ILLUSTRATION ONLY.
- △ UL/CSA DESIGNATION STAMPED IN THIS AREA, OPTIONAL



MARK MFG'S NAME, BRAND OR LOGO
 PART NO AND DATE CODE, FAR SIDE
 CUSTOMER PART NUMBER, NEAR SIDE

1A01-004RHW	1-211616-1
1A01-004RHA	211616-1
CUSTOMER PART NO	PART NO

THIS DRAWING IS A CONTROLLED DOCUMENT.

DIMENSIONS: INCHES	TOLERANCES UNLESS OTHERWISE SPECIFIED:	DIN T. SHUEY 11-13-87	11-30-87	Tyco Electronics Corporation Harrisburg, PA 17105-3608
0 PLC ± -	1 PLC ± -	CHK F.C. BALLEW 11-30-87	11-30-87	
2 PLC ± -	3 PLC ± .005	APVD F.C. BALLEW III 11-30-87		NAME RECEPTACLE ASSEMBLY, AMPLIMITE 37 POSN, SIZE 4, SERIES 109 NON-MAGNETIC
4 PLC ± -	ANGLES ± °	PRODUCT SPEC	APPLICATION SPEC	
MATERIAL SEE CALLOUTS	FINISH -	WEIGHT -	SIZE CAGE CODE DRAWING NO A1 00779 C=211616	RESTRICTED TO
CUSTOMER DRAWING		SCALE 4:1	SHEET 1 OF 1	REV E