



Chipsmall Limited consists of a professional team with an average of over 10 year of expertise in the distribution of electronic components. Based in Hongkong, we have already established firm and mutual-benefit business relationships with customers from,Europe,America and south Asia,supplying obsolete and hard-to-find components to meet their specific needs.

With the principle of “Quality Parts,Customers Priority,Honest Operation,and Considerate Service”,our business mainly focus on the distribution of electronic components. Line cards we deal with include Microchip,ALPS,ROHM,Xilinx,Pulse,ON,Everlight and Freescale. Main products comprise IC,Modules,Potentiometer,IC Socket,Relay,Connector.Our parts cover such applications as commercial,industrial, and automotives areas.

We are looking forward to setting up business relationship with you and hope to provide you with the best service and solution. Let us make a better world for our industry!



Contact us

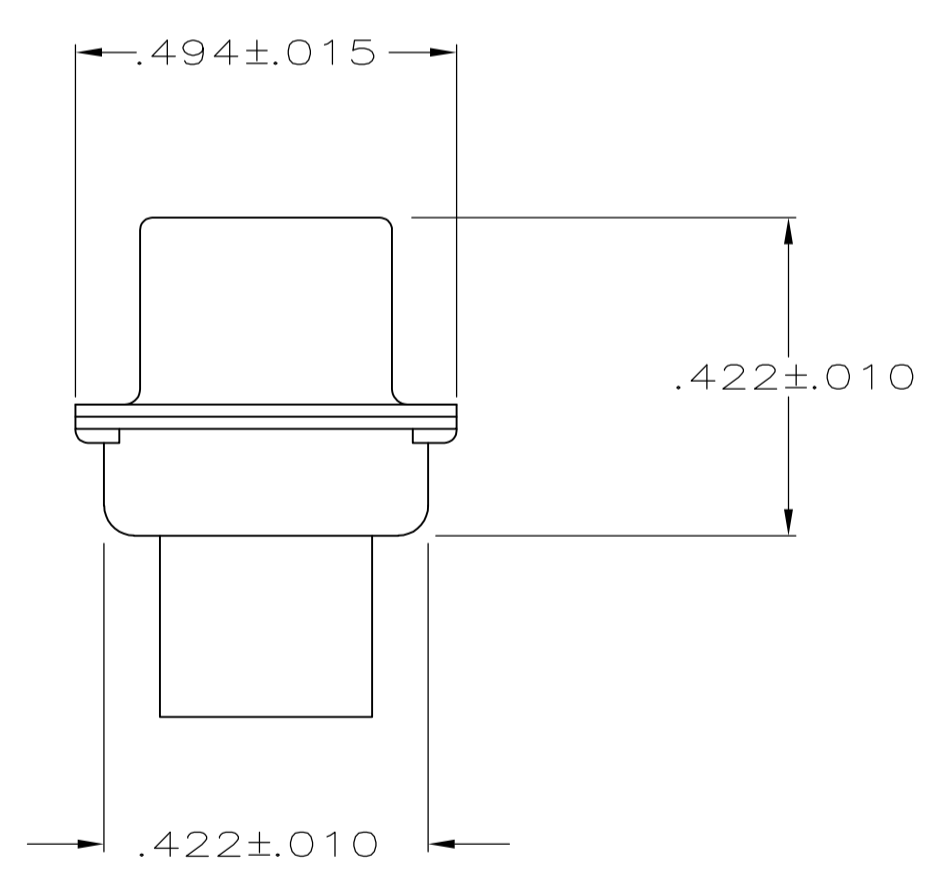
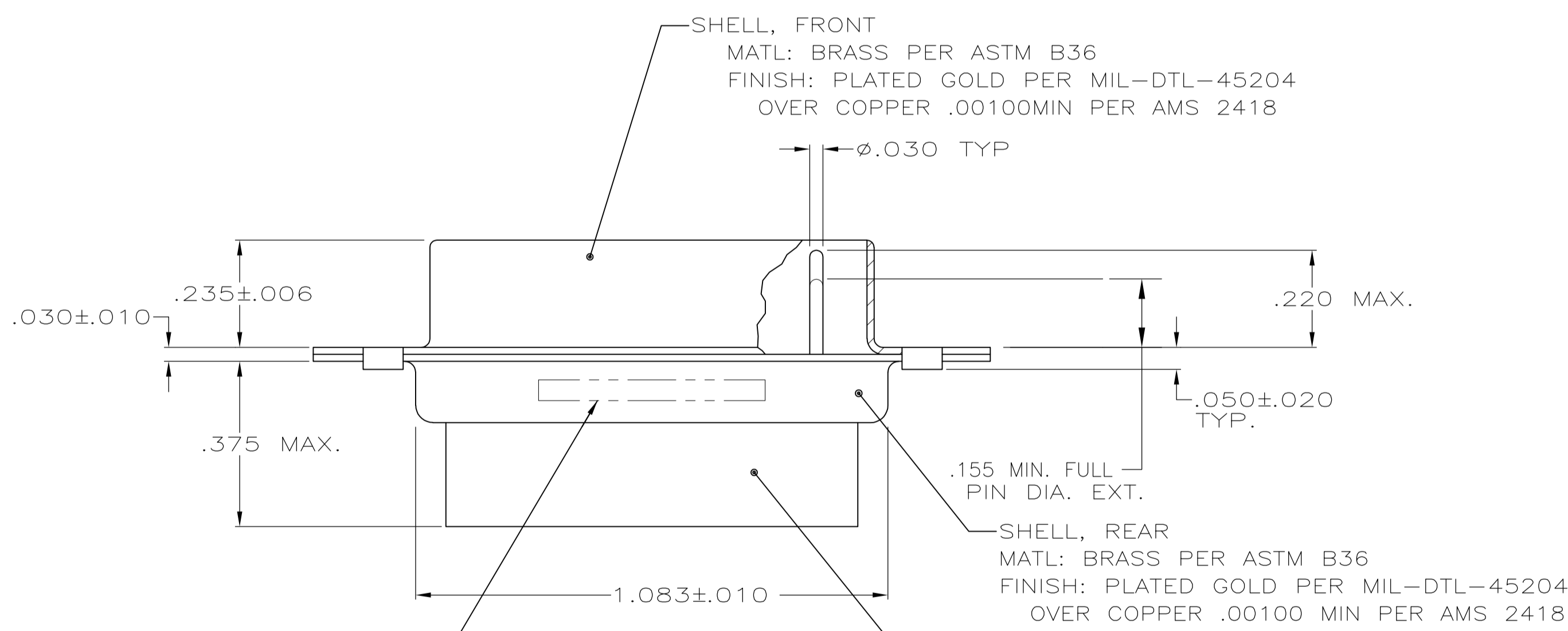
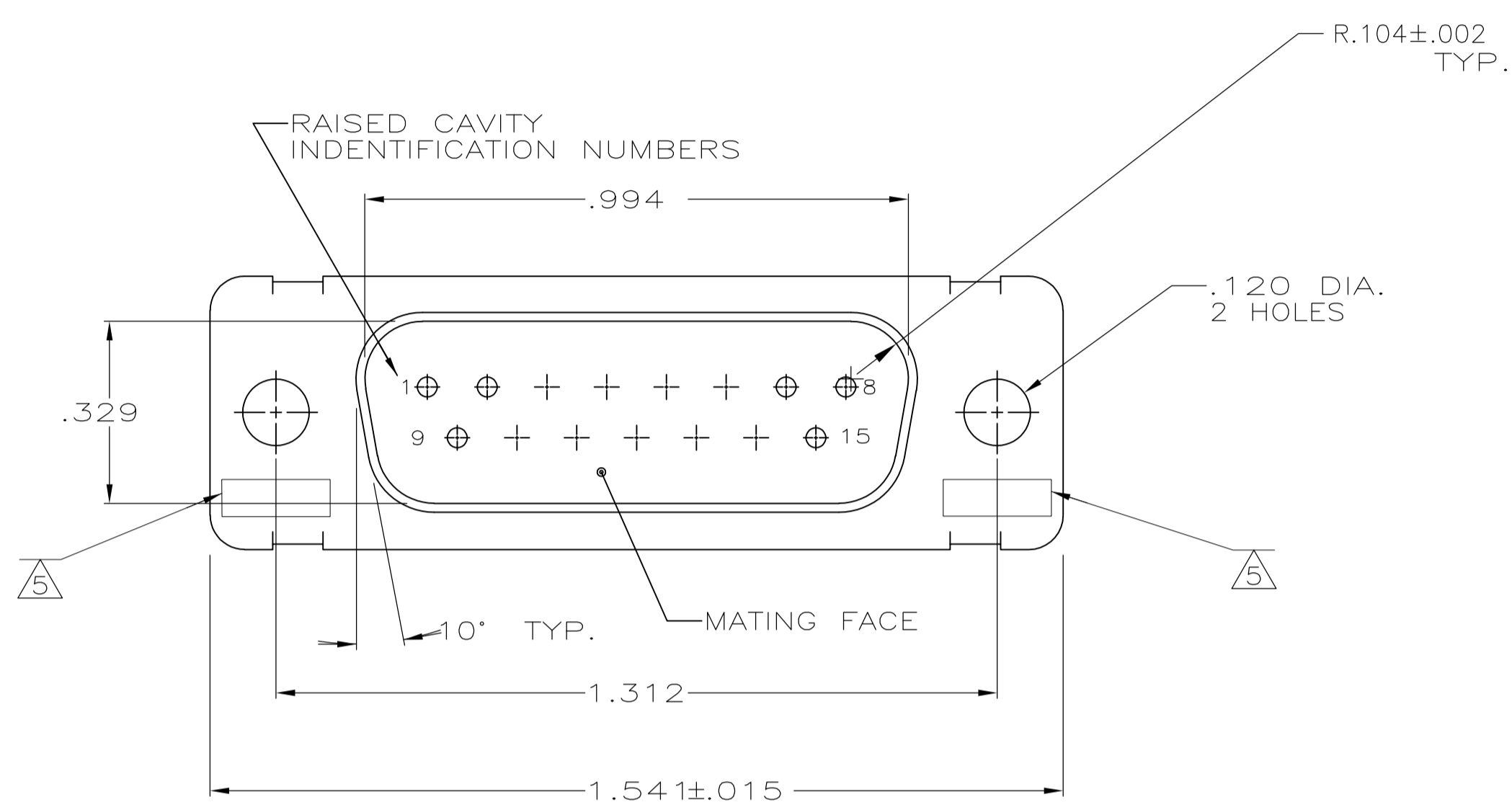
Tel: +86-755-8981 8866 Fax: +86-755-8427 6832

Email & Skype: info@chipsmall.com Web: www.chipsmall.com

Address: A1208, Overseas Decoration Building, #122 Zhenhua RD., Futian, Shenzhen, China



LOC		DIST		REVISIONS			
P	LTR	DESCRIPTION	DATE	DNW	APVD		
E	REV PER ECO	10-000206	1-6-09	CT	RL		



MARK MANUFACTURE'S NAME, BRAND OR LOGO, PART NUMBER AND DATE CODE FAR SIDE. CUSTOMER PART NUMBER NEAR SIDE.

1. THIS PLUG WILL MATE WITH ANY 15 POSN., SIZE 1 RECEPTACLE IN THE AMPLIMITE SERIES.
 2. MAXIMUM WIRE INSULATION USED WITH THIS CONNECTOR IS .068 DIA.
 3. BE-CU RETENTION CLIPS ARE INCLUDED IN INSERT.
 4. CONNECTOR SUPPLIED WITHOUT CONTACTS; SHOWN FOR ILLUSTRATION ONLY.
- △ UL/CSA DESIGNATION STAMPED IN THIS AREA.

CUSTOMER PART NUMBER	PART NO.
1A01-007PHW	1-211619-1
1A01-007	211619-2
1A01-007PHA	211619-1

THIS DRAWING IS A CONTROLLED DOCUMENT.

DIMENSIONS: INCHES	TOLERANCES UNLESS OTHERWISE SPECIFIED:	DIN T. SHUEY 11-16-87	APVD F.C. BALLEW III 11-30-87	Tyco Electronics Corporation Harrisburg, PA 17105-3608
0 PLC ± -	1 PLC ± -	2 PLC ± -	3 PLC ± .005	4 PLC ANGLES ± ± 0°30'
MATERIAL SEE CALLOUTS	FINISH SEE CALLOUTS	WEIGHT -	SIZE A1 00779	DRAWING NO. C=211619
CUSTOMER DRAWING		SCALE 4:1	SHEET 1 OF 1	REV E