



Chipsmall Limited consists of a professional team with an average of over 10 year of expertise in the distribution of electronic components. Based in Hongkong, we have already established firm and mutual-benefit business relationships with customers from,Europe,America and south Asia,supplying obsolete and hard-to-find components to meet their specific needs.

With the principle of “Quality Parts,Customers Priority,Honest Operation,and Considerate Service”,our business mainly focus on the distribution of electronic components. Line cards we deal with include Microchip,ALPS,ROHM,Xilinx,Pulse,ON,Everlight and Freescale. Main products comprise IC,Modules,Potentiometer,IC Socket,Relay,Connector.Our parts cover such applications as commercial,industrial, and automotives areas.

We are looking forward to setting up business relationship with you and hope to provide you with the best service and solution. Let us make a better world for our industry!



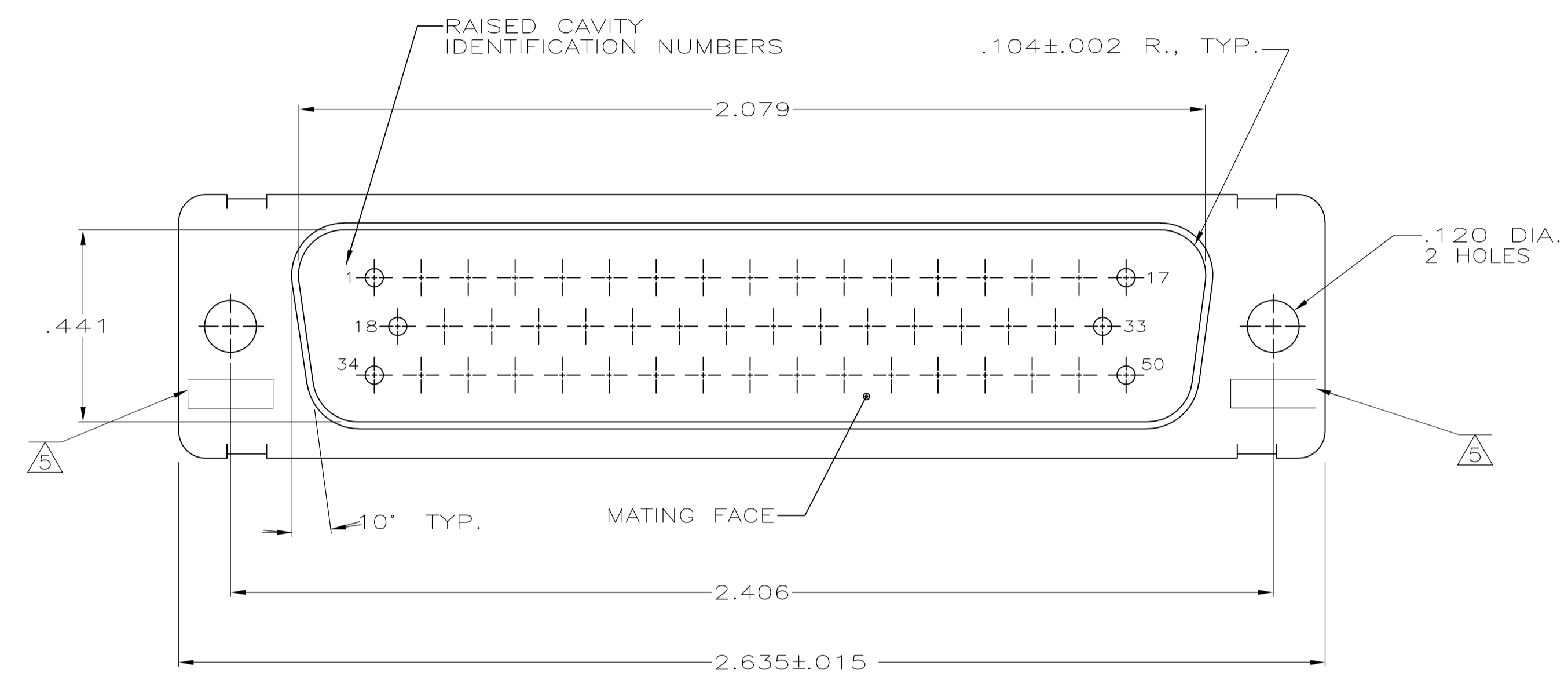
## Contact us

Tel: +86-755-8981 8866 Fax: +86-755-8427 6832

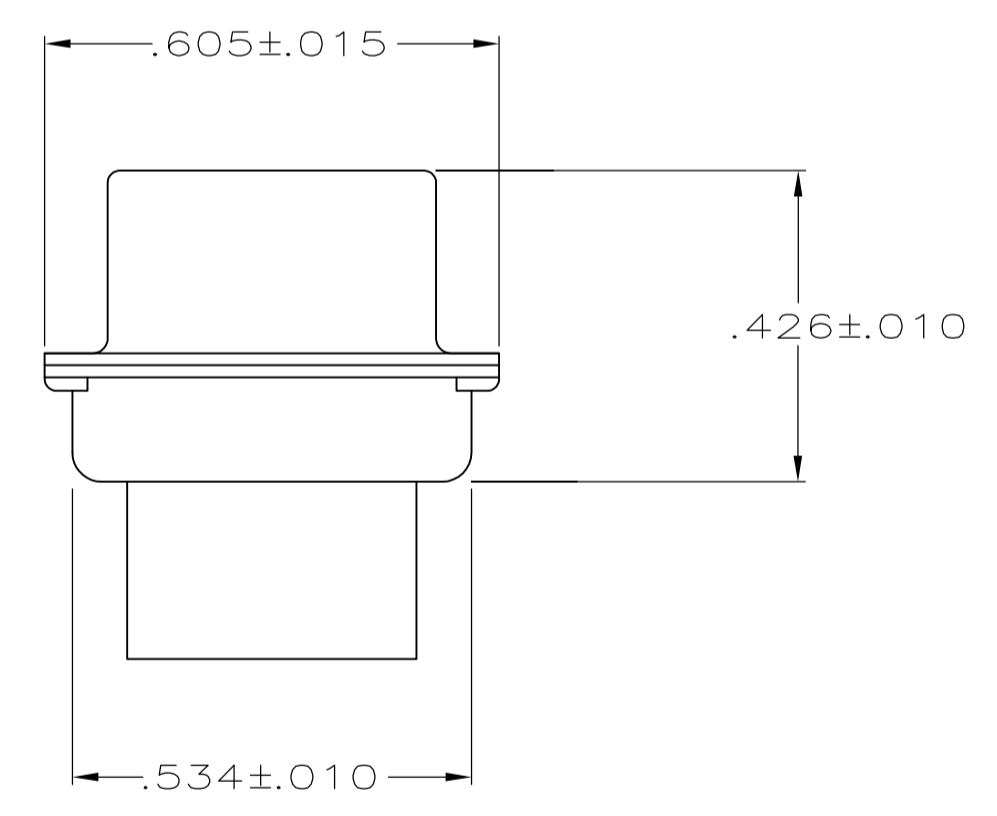
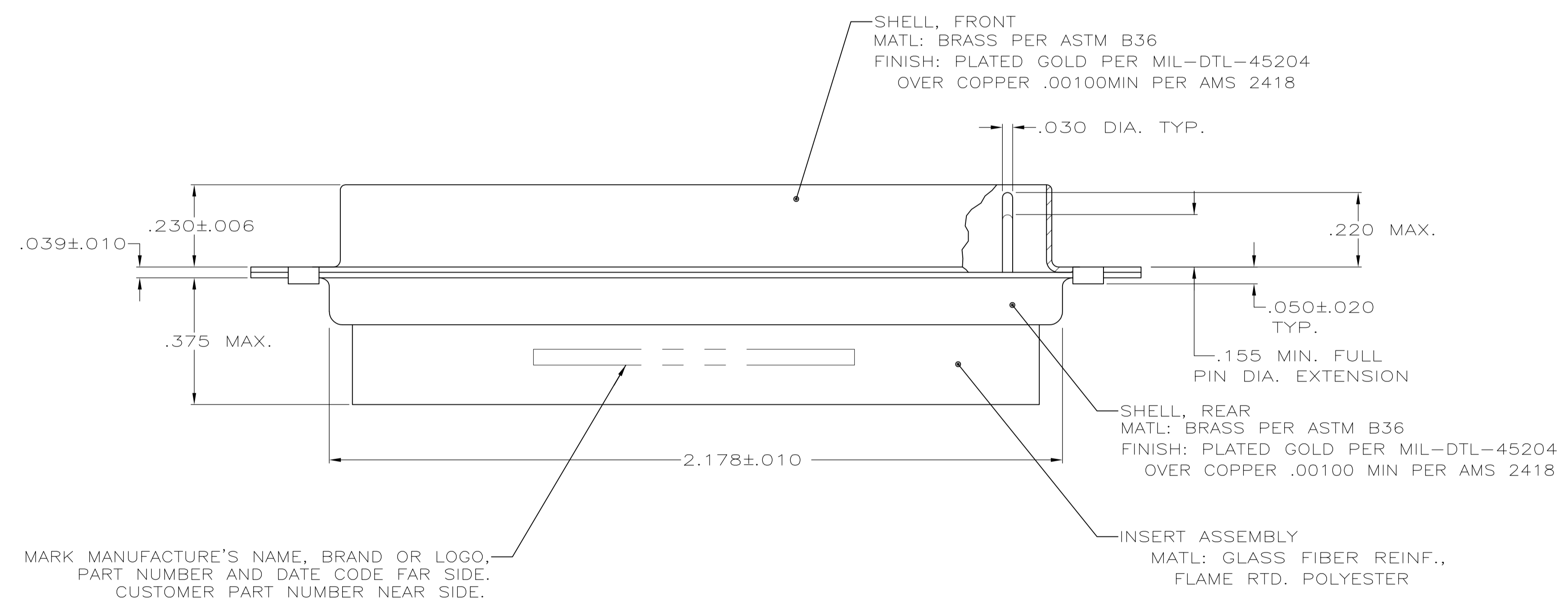
Email & Skype: info@chipsmall.com Web: www.chipsmall.com

Address: A1208, Overseas Decoration Building, #122 Zhenhua RD., Futian, Shenzhen, China





1. THIS PLUG WILL MATE WITH ANY 50 POSN., SIZE 5 RECEPTACLE IN THE AMPLIMITE SERIES.
  2. MAXIMUM WIRE INSULATION USED WITH THIS CONNECTOR IS .068 DIA.
  3. BE-CU RETENTION CLIPS ARE INCLUDED IN INSERT.
  4. CONNECTOR SUPPLIED WITHOUT CONTACTS; SHOWN FOR ILLUSTRATION ONLY.
- △ UL/CSA DESIGNATION STAMPED IN THIS AREA.



MARK MANUFACTURE'S NAME, BRAND OR LOGO, PART NUMBER AND DATE CODE FAR SIDE. CUSTOMER PART NUMBER NEAR SIDE.

1A01-007PHW	1-211622-1
2A014-005-001	211622-5
1A01-010PHA	211622-1
CUSTOMER PART NO	PART NO

THIS DRAWING IS A CONTROLLED DOCUMENT.		DWN T. SHUEY 11-17-87	Tyco Electronics Corporation Harrisburg, PA 17105-3608
DIMENSIONS: INCHES		CHK F.C. RALLEW III 11-30-87	
TOLERANCES UNLESS OTHERWISE SPECIFIED:		APVD F.C. RALLEW III 11-30-87	NAME PLUG ASSEMBLY, AMPLIMITE 50 POSITION, SIZE 5, SERIES 109, NON-MAGNETIC
0 PLC ± -		PRODUCT SPEC	
1 PLC ± -		APPLICATION SPEC	RESTRICTED TO
2 PLC ± -		SIZE	A1
3 PLC ± .005		CAGE CODE	00779
4 PLC ± -		DRAWING NO	211622
ANGLES ± 0°30'		WEIGHT	-
MATERIAL SEE CALLOUTS		FINISH SEE CALLOUTS	CUSTOMER DRAWING
		SCALE	4:1
		SHEET	1 OF 1
		REV	E