



Chipsmall Limited consists of a professional team with an average of over 10 year of expertise in the distribution of electronic components. Based in Hongkong, we have already established firm and mutual-benefit business relationships with customers from,Europe,America and south Asia,supplying obsolete and hard-to-find components to meet their specific needs.

With the principle of “Quality Parts,Customers Priority,Honest Operation,and Considerate Service”,our business mainly focus on the distribution of electronic components. Line cards we deal with include Microchip,ALPS,ROHM,Xilinx,Pulse,ON,Everlight and Freescale. Main products comprise IC,Modules,Potentiometer,IC Socket,Relay,Connector.Our parts cover such applications as commercial,industrial, and automotives areas.

We are looking forward to setting up business relationship with you and hope to provide you with the best service and solution. Let us make a better world for our industry!



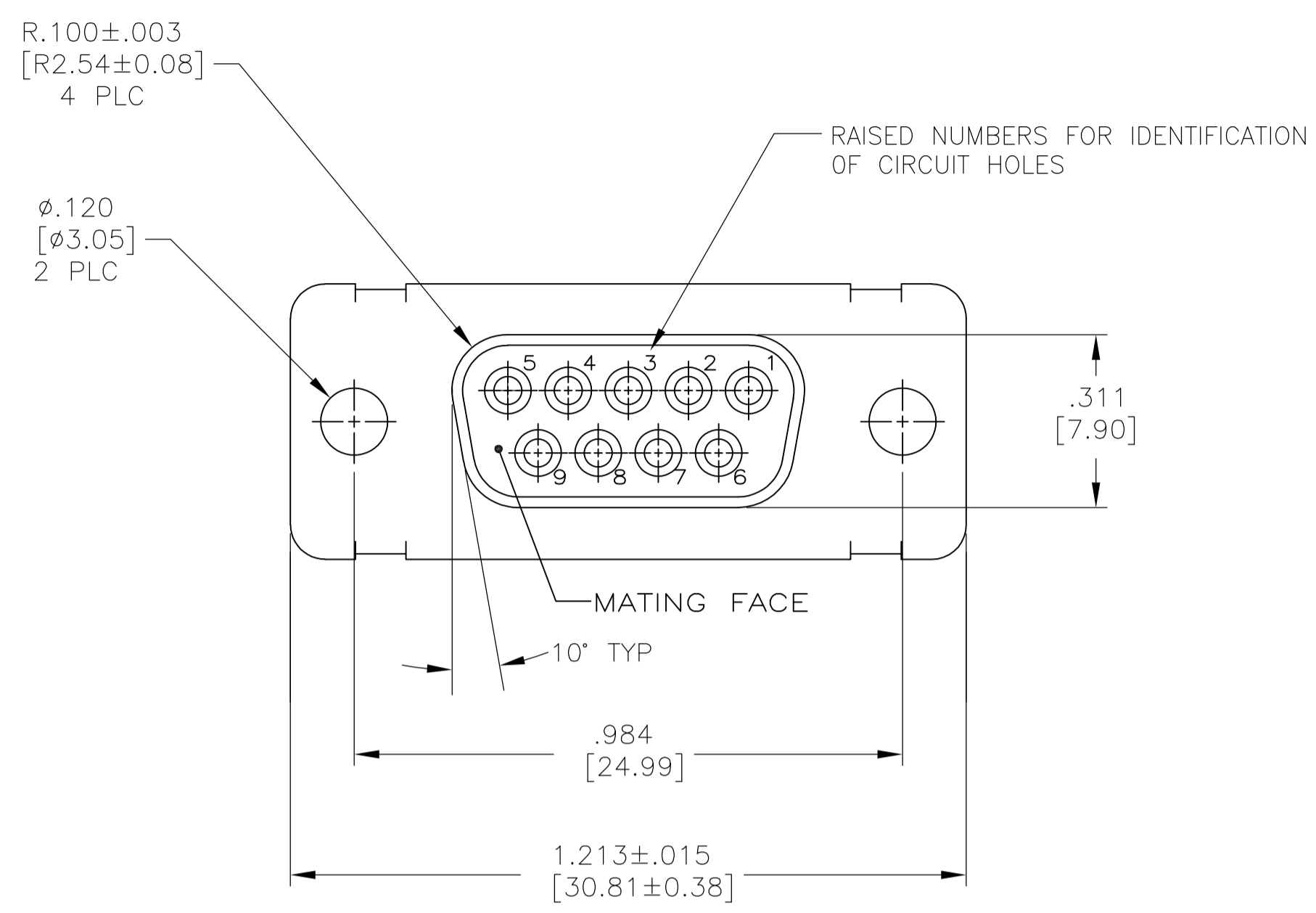
Contact us

Tel: +86-755-8981 8866 Fax: +86-755-8427 6832

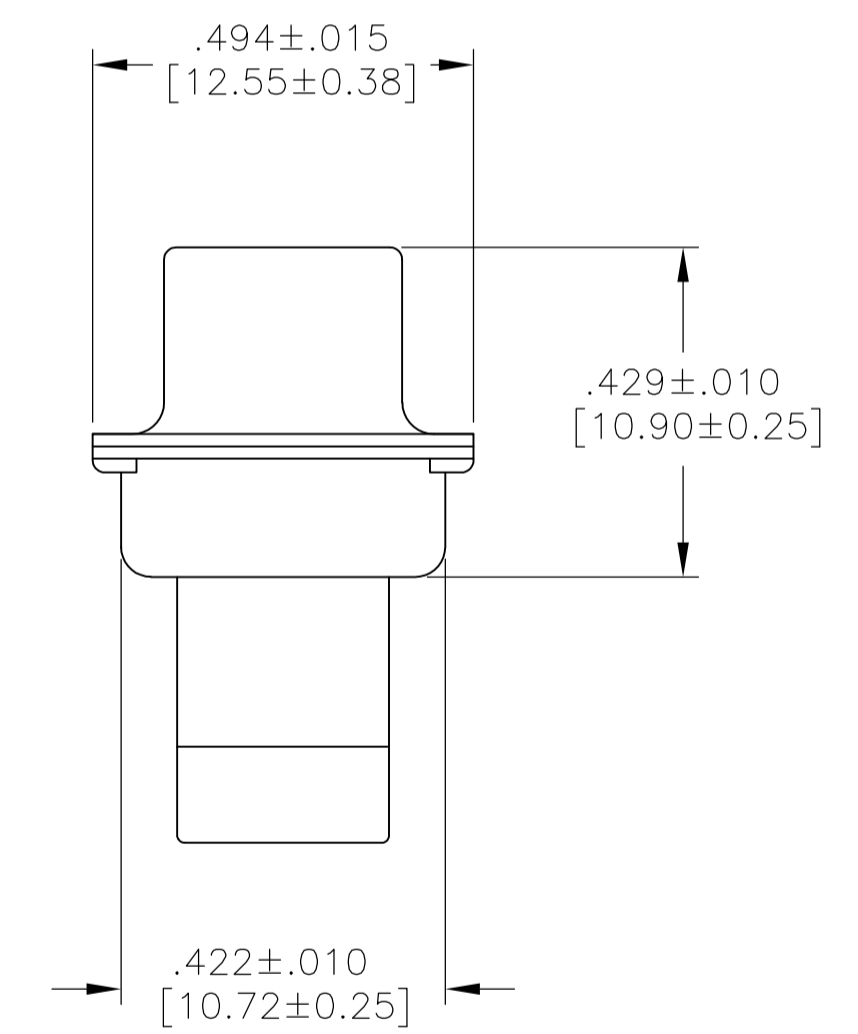
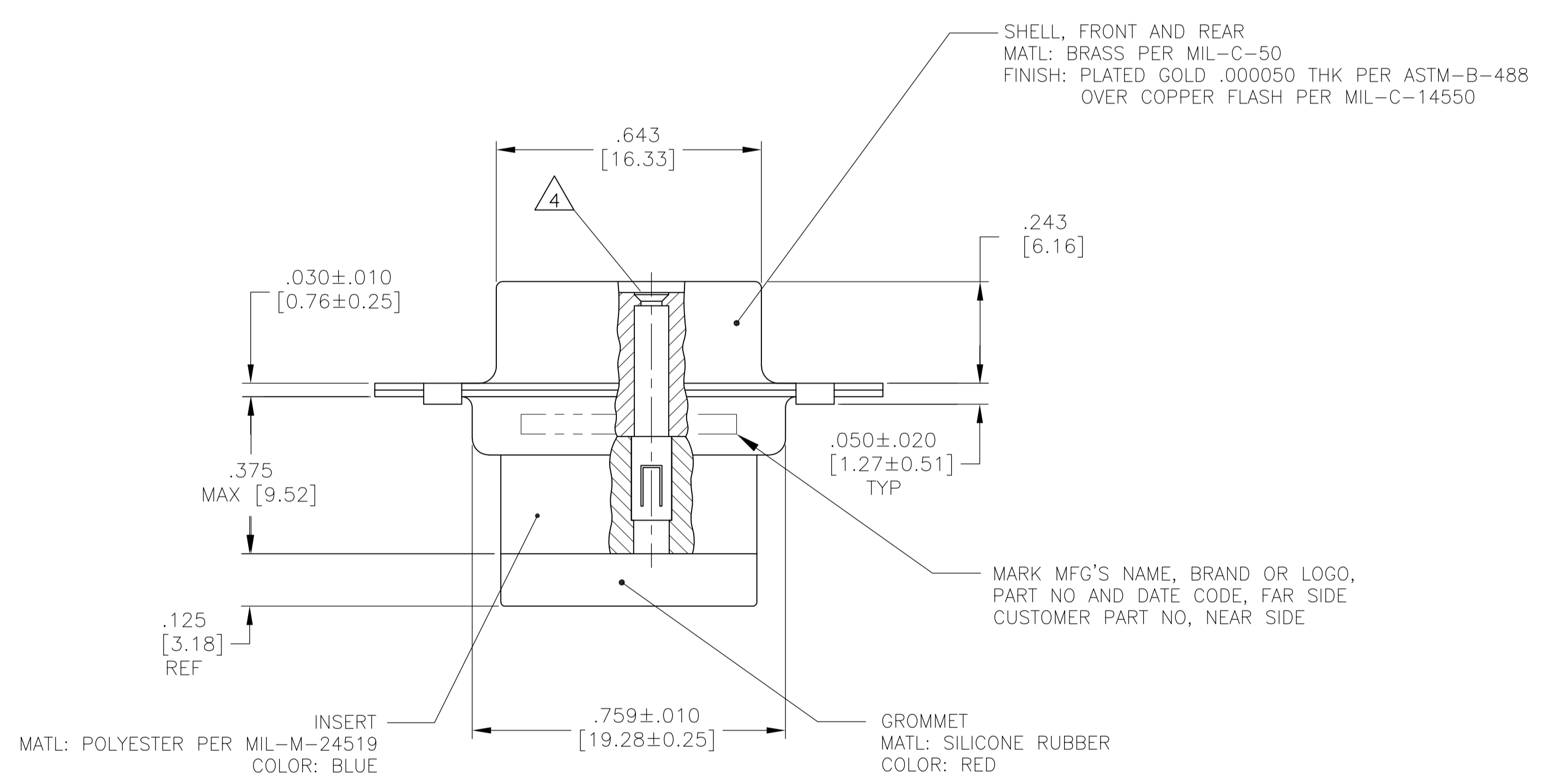
Email & Skype: info@chipsmall.com Web: www.chipsmall.com

Address: A1208, Overseas Decoration Building, #122 Zhenhua RD., Futian, Shenzhen, China





1. THIS RECEPTACLE WILL MATE WITH ANY 9 POSN, SIZE 1 PLUG IN AMPLIMITE SERIES
 2. MAXIMUM WIRE INSULATION USED WITH THIS RECEPTACLE IS $\phi.068$ [1.73]
 3. BE CU RETENTION CLIPS ARE INCLUDED IN INSERT
- ⚠ CONNECTOR SUPPLIED WITHOUT CONTACTS; SHOWN FOR ILLUSTRATION ONLY



OBSOLETE	1A01-021	211633-1	211633-6
OBSOLETE	-	-	211633-5
		211633-4	211633-4
OBSOLETE	-	211633-3	211633-3
OBSOLETE	2A014-036V-001	211633-2	211633-2
	1A01-021-RHA	211633-1	211633-1
	MARKED CUSTOMER NO	MARKED TE PART NO	PART NO.

THIS DRAWING IS A CONTROLLED DOCUMENT.

DIMENSIONS: INCHES [mm]	TOLERANCES UNLESS OTHERWISE SPECIFIED:	DIN C.C.THOMAS 12-6-90	REV F.KINSEY 12-6-90
0 PLC ± -	1 PLC ± -	2 PLC ± -	3 PLC ± .005 [0.13]
4 PLC ± -	ANGLES ± -	APPROVED: F.KINSEY 12-6-90	

MATERIAL: SEE CALLOUTS FINISH: SEE CALLOUTS WEIGHT: --

SCALE: 4:1 SHEET 1 OF 1 REV H

CUSTOMER DRAWING

STE TE Connectivity

RCPT. ASSY.,AMPLIMITE,9 POSN,SIZE 1, SERIES 109, NON-MAG, W/GROMMET

SIZE: A1 CAGE CODE: 00779 DRAWING NO: 211633