



Chipsmall Limited consists of a professional team with an average of over 10 year of expertise in the distribution of electronic components. Based in Hongkong, we have already established firm and mutual-benefit business relationships with customers from,Europe,America and south Asia,supplying obsolete and hard-to-find components to meet their specific needs.

With the principle of “Quality Parts,Customers Priority,Honest Operation,and Considerate Service”,our business mainly focus on the distribution of electronic components. Line cards we deal with include Microchip,ALPS,ROHM,Xilinx,Pulse,ON,Everlight and Freescale. Main products comprise IC,Modules,Potentiometer,IC Socket,Relay,Connector.Our parts cover such applications as commercial,industrial, and automotives areas.

We are looking forward to setting up business relationship with you and hope to provide you with the best service and solution. Let us make a better world for our industry!



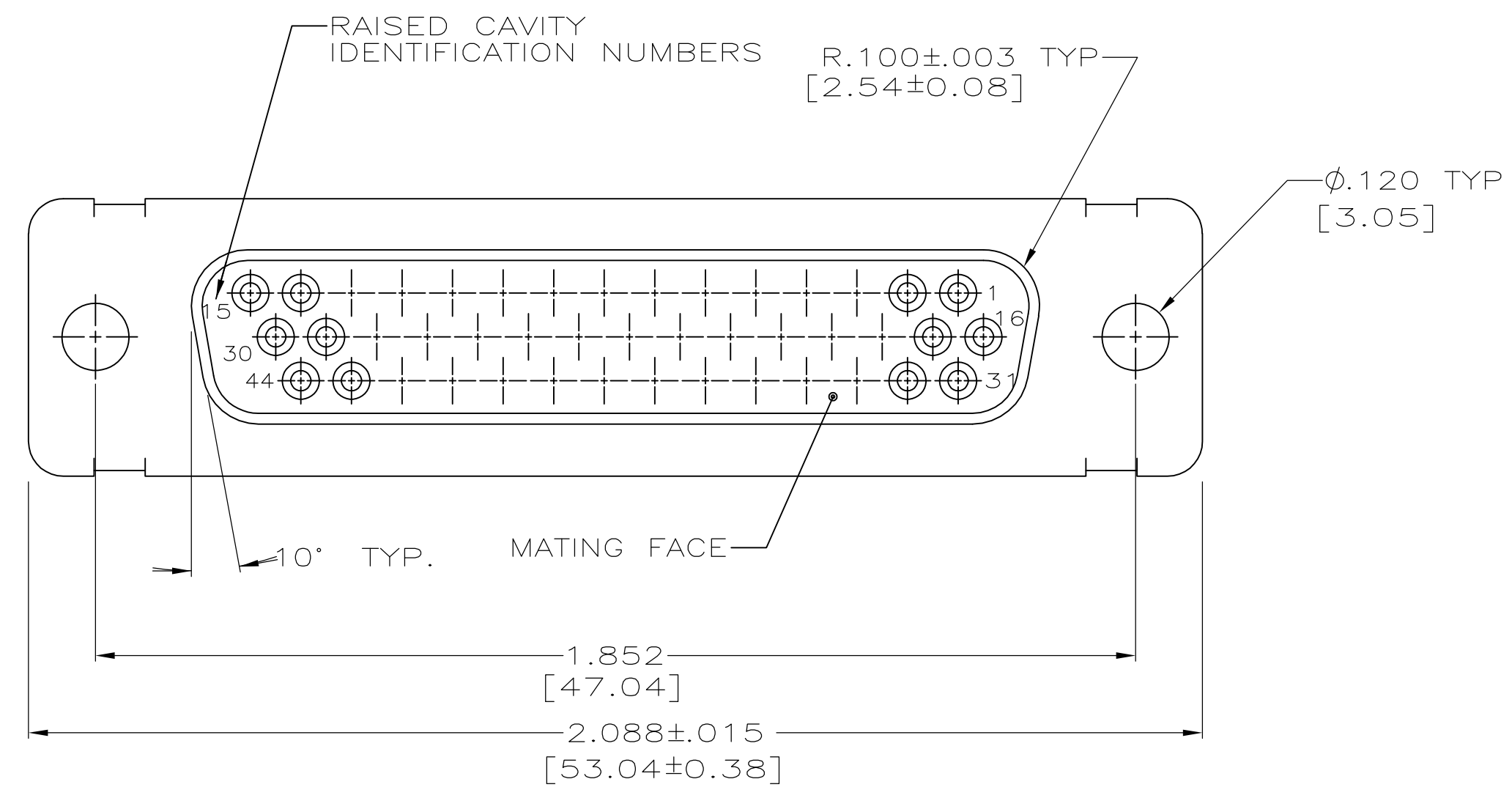
Contact us

Tel: +86-755-8981 8866 Fax: +86-755-8427 6832

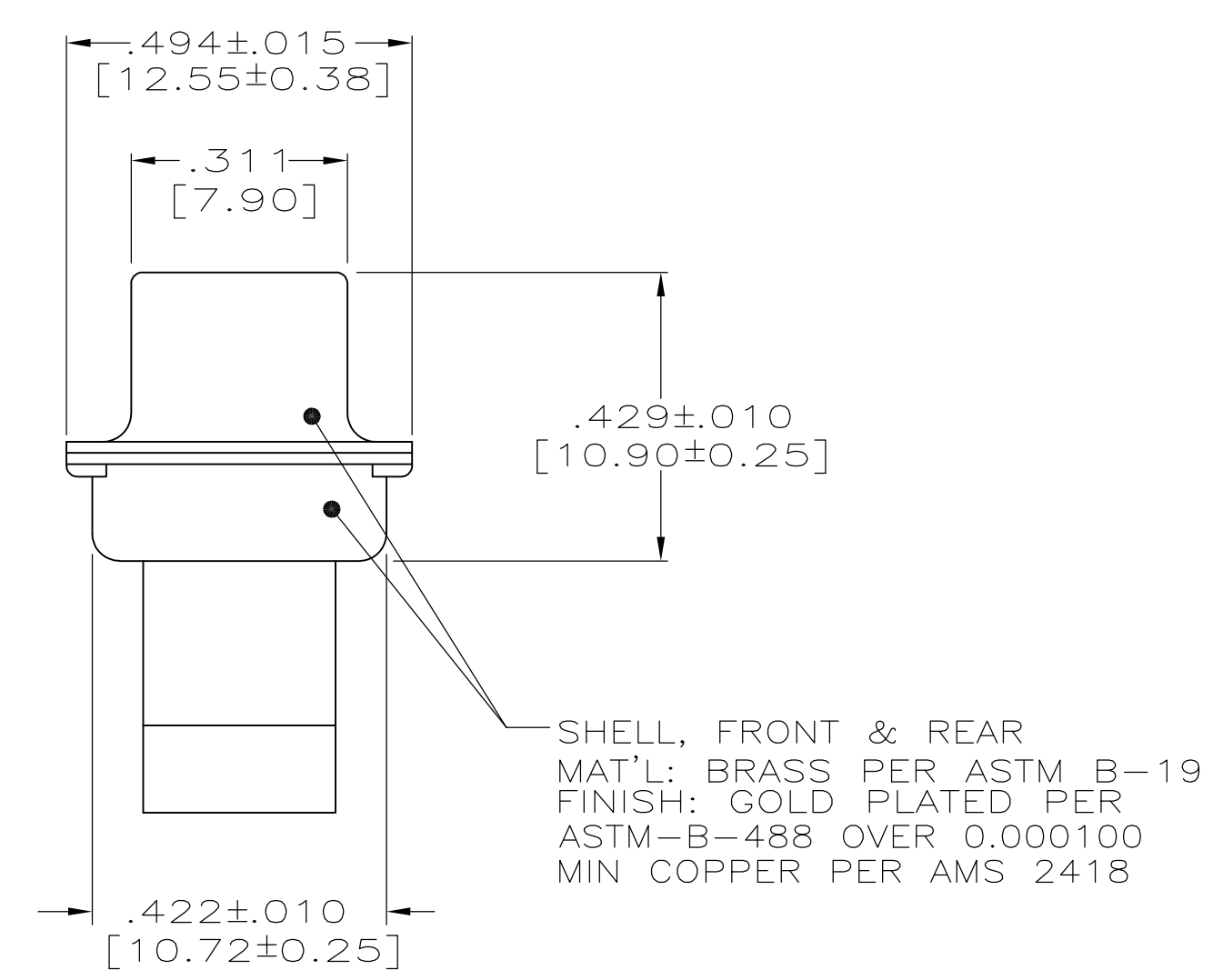
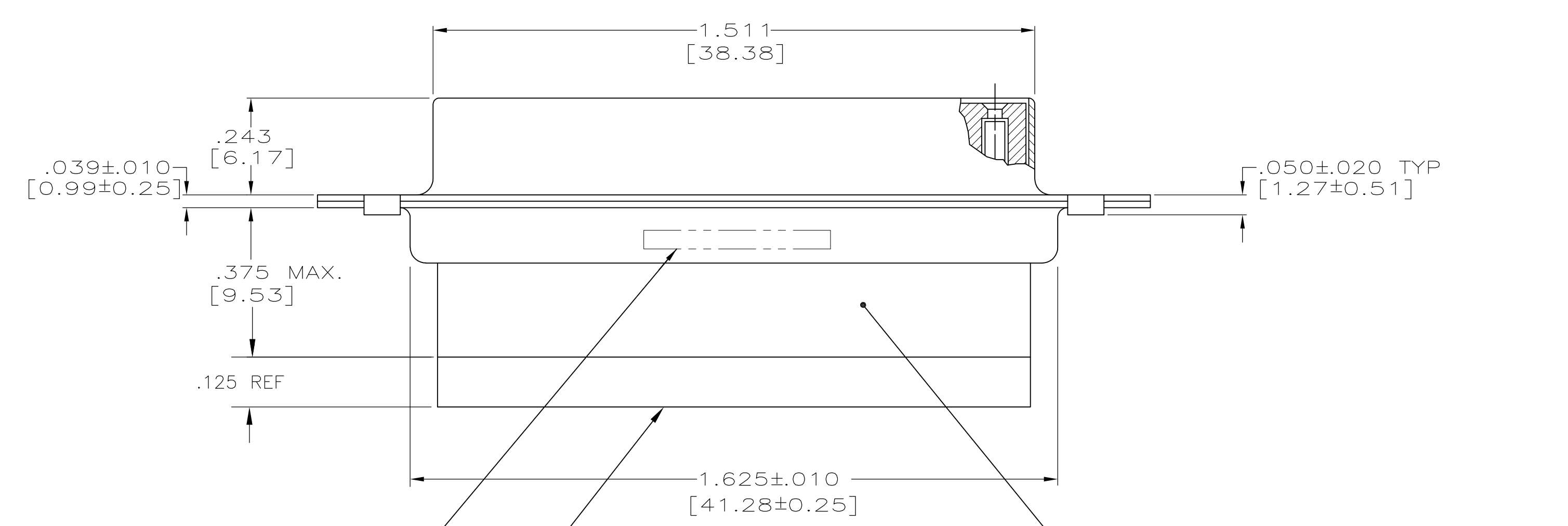
Email & Skype: info@chipsmall.com Web: www.chipsmall.com

Address: A1208, Overseas Decoration Building, #122 Zhenhua RD., Futian, Shenzhen, China





- THIS RECEPTACLE WILL MATE WITH ANY 44 POSN, SIZE 3 PLUG IN AMPLIMITE SERIES.
- BE-CU RETENTION CLIPS (44) ARE INCLUDED IN INSERT AND INSTALLED WITH TINES.
- POINTING TOWARDS MATING FACE
- CONNECTOR SUPPLIED WITHOUT CONTACTS, SHOWN FOR ILLUSTRATION ONLY
- OVERALL DIMENSIONS DO NOT INCLUDE RAISED CAVITY ID
- MARKING: FAR SIDE REFERS TO WIDE SIDE OF KEYSTONE. NEAR SIDE REFERS TO NARROW SIDE OF KEYSTONE
- 100% INSPECTION REQUIRED PER BOEING 1B01:
 - VISUAL
 - DWV
 - IR
- CUSTOMER REQUIRES SINGLE LOT DATE CODE.
- SPECIAL REQUIREMENTS:
 - TEST TWO CONNECTORS PER LOT FOR COMPLIANCE TO GROMMET PEEL STRENGTH REQUIREMENTS.
 - TEST ALL CIRCUIT CAVITIES FOR MISALIGNMENT OR EXCESSIVE ADHESIVE.



△ CUSTOMER P/N (IF APPLICABLE) MARKED ON FAR SIDE. MANUFACTURER'S NAME, BRAND NAME OR LOGO AND MANUFACTURER'S PART NO AND DATE CODE MARKED ON NEAR SIDE

INSERT ASSEMBLY
 POLYPHENYLENE SULFIDE (PPS)
 GST-40-F PER MIL-M-24519
 OR GLASS FILLED POLYESTER
 TPESO13G30 PER ASTM-D-5927

GROMMET MATERIAL: SILICONE RUBBER

AS SHOWN-WITH CUSTOMER PART NO 1B01-027RHW MARKED	1-211669-1
SAME AS -1 EXCEPT NO CUSTOMER MARKING	211669-3
SAME AS -1 EXCEPT WITH CUSTOMER NUMBER 2A065-021V-001 MARKED	211669-2
AS SHOWN-WITH CUSTOMER PART NO 1B01-027 MARKED	211669-1
DESCRIPTION	PART NO

THIS DRAWING IS A CONTROLLED DOCUMENT.

DWY	P. YEAGER	26JUN06	Tyco Electronics Corporation Harrisburg, PA 17105-3608
CHK	D. MILLER	30JUN06	
APP'D	D. MILLER	30JUN06	NAME
DIMENSIONS: INCHES			PRODUCT SPEC
TOLERANCES UNLESS OTHERWISE SPECIFIED:			APPLICATION SPEC
0 PLC	±	-	SIZE
1 PLC	±	-	CAGE CODE
2 PLC	±	-	DRAWING NO
3 PLC	±	.005 [0.13]	RESTRICTED TO
4 PLC	±	-	
ANGLES	±	-	
FINISH	SEE CALLOUTS		
MATERIAL	SEE CALLOUTS	WEIGHT	
CUSTOMER DRAWING			SCALE 4:1 SHEET 1 OF 1 REV J