



Chipsmall Limited consists of a professional team with an average of over 10 year of expertise in the distribution of electronic components. Based in Hongkong, we have already established firm and mutual-benefit business relationships with customers from,Europe,America and south Asia,supplying obsolete and hard-to-find components to meet their specific needs.

With the principle of “Quality Parts,Customers Priority,Honest Operation,and Considerate Service”,our business mainly focus on the distribution of electronic components. Line cards we deal with include Microchip,ALPS,ROHM,Xilinx,Pulse,ON,Everlight and Freescale. Main products comprise IC,Modules,Potentiometer,IC Socket,Relay,Connector.Our parts cover such applications as commercial,industrial, and automotives areas.

We are looking forward to setting up business relationship with you and hope to provide you with the best service and solution. Let us make a better world for our industry!



Contact us

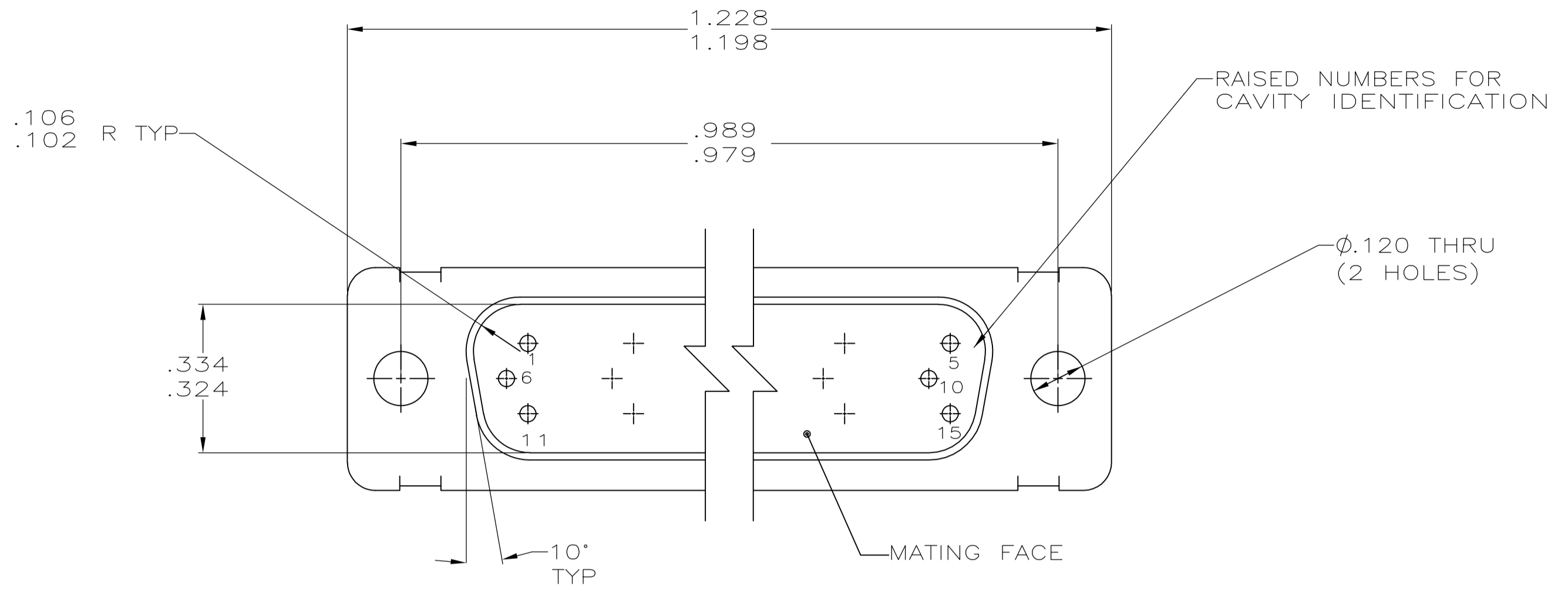
Tel: +86-755-8981 8866 Fax: +86-755-8427 6832

Email & Skype: info@chipsmall.com Web: www.chipsmall.com

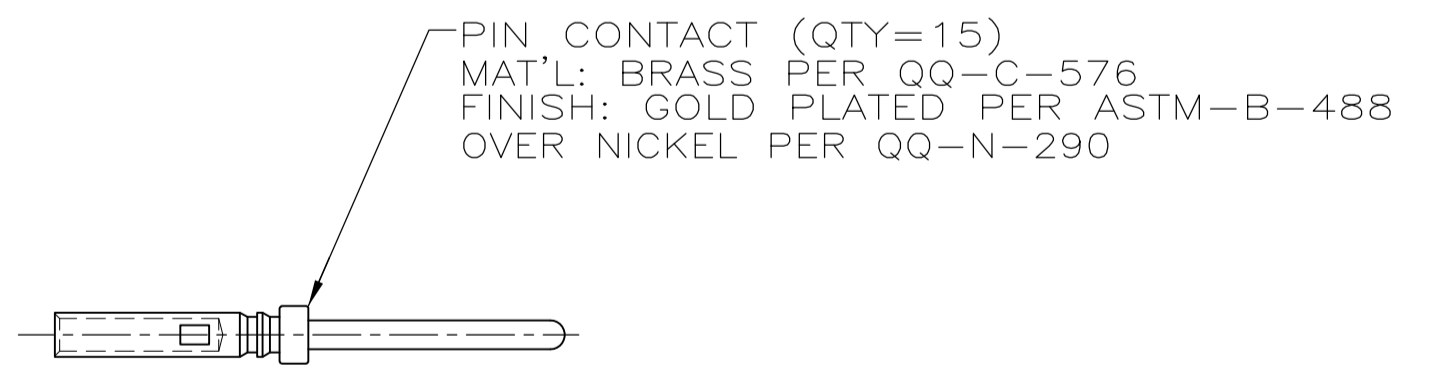
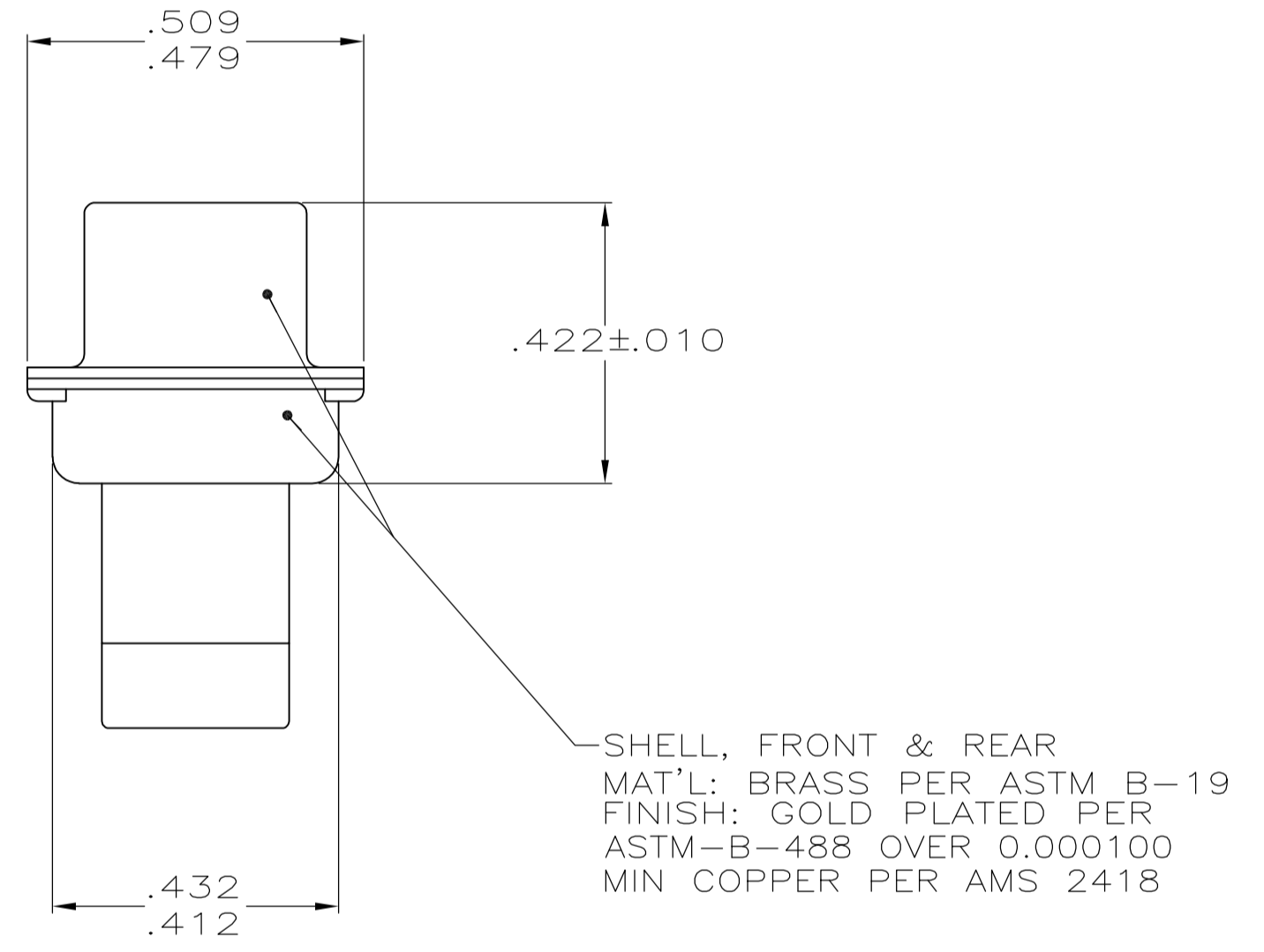
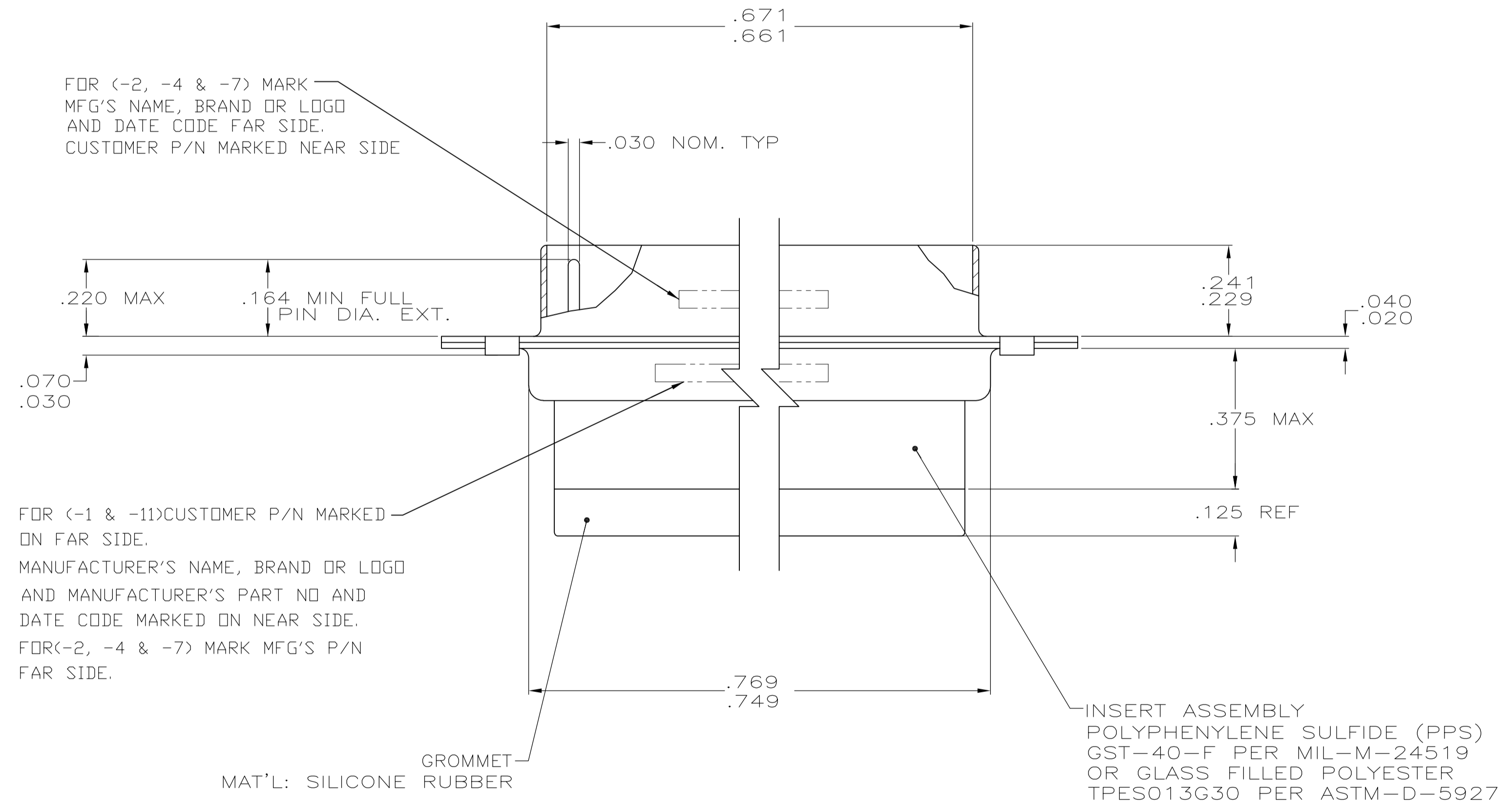
Address: A1208, Overseas Decoration Building, #122 Zhenhua RD., Futian, Shenzhen, China



LOC		DIST		REVISIONS			
DF	DO	P	LTR	DESCRIPTION	DATE	DWN	APVD
		R		REV PER ECO-11-001056	17FEB11	PY	RL



- THIS PLUG WILL MATE WITH ANY SIZE 1, 15 POSN. RCPT. IN AMPLIMITE SERIES.
 - CONNECTOR SUPPLIED WITHOUT CONTACTS; SHOWN FOR ILLUSTRATION ONLY.
 - BE-CU RETENTION CLIPS ARE INCLUDED IN INSERT AND INSTALLED WITH TINES POINTING TOWARDS MATING FACE.
 - OVERALL DIMENSIONS DO NOT INCLUDE RAISED CAVITY IDENTIFICATION.
 - MARKING FAR SIDE REFERS TO WIDE SIDE OF KEYSTONE. NEAR SIDE REFERS TO NARROW SIDE OF KEYSTONE.
- 6 ONLY PART NO. 211673-7 IS SUPPLIED WITH CONTACTS.
 - 7 100% INSPECTION REQUIRED PER BOEING 1B01:
 - A. VISUAL
 - B. DWV
 - C. IR
 - 8 CUSTOMER REQUIRES SINGLE LOT DATE CODE.
 - 9 SPECIAL REQUIREMENTS:
 - A. TEST TWO CONNECTORS PER LOT FOR COMPLIANCE TO GROMMET PEEL STRENGTH REQUIREMENTS.
 - B. TEST ALL CIRCUIT CAVITIES FOR MISALIGNMENT OR EXCESSIVE ADHESIVE.



REMARKS	CUSTOMER PART NO.	PART NO.
7 8	1B01-031PHW	1-211673-1
6	B010648-0001	211673-7
		211673-4
9 8	2A065-013V	211673-2
7	1B01-031	211673-1

THIS DRAWING IS A CONTROLLED DOCUMENT.		DIN J. KAISER 3-11-04	Tyco Electronics Corporation Harrisburg, PA 17105-3608	
DIMENSIONS: INCHES		CHK L. OH 3-25-04	NAME Tyco Electronics	
TOLERANCES UNLESS OTHERWISE SPECIFIED:		APVD	PRODUCT SPEC	
0. PLC ± -		APPLICATION SPEC		
1. PLC ± -		SIZE CAGE CODE DRAWING NO RESTRICTED TO		
2. PLC ± -		A1 00779 C=211673		
3. PLC ± .005 [0.13]		CUSTOMER DRAWING SCALE 4:1 SHEET 1 OF 1 REV R		
4. PLC ± -				
ANGLES ± -				
FINISH SEE CALLOUTS				