



Chipsmall Limited consists of a professional team with an average of over 10 year of expertise in the distribution of electronic components. Based in Hongkong, we have already established firm and mutual-benefit business relationships with customers from,Europe,America and south Asia,supplying obsolete and hard-to-find components to meet their specific needs.

With the principle of “Quality Parts,Customers Priority,Honest Operation,and Considerate Service”,our business mainly focus on the distribution of electronic components. Line cards we deal with include Microchip,ALPS,ROHM,Xilinx,Pulse,ON,Everlight and Freescale. Main products comprise IC,Modules,Potentiometer,IC Socket,Relay,Connector.Our parts cover such applications as commercial,industrial, and automotives areas.

We are looking forward to setting up business relationship with you and hope to provide you with the best service and solution. Let us make a better world for our industry!



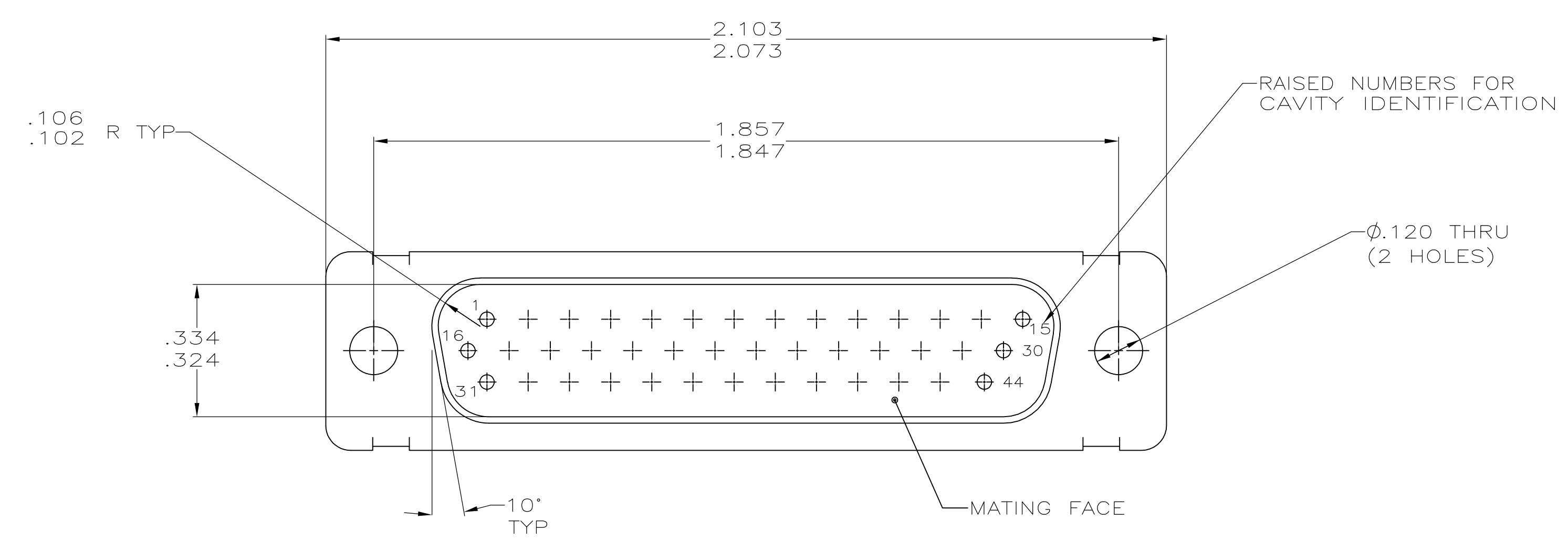
Contact us

Tel: +86-755-8981 8866 Fax: +86-755-8427 6832

Email & Skype: info@chipsmall.com Web: www.chipsmall.com

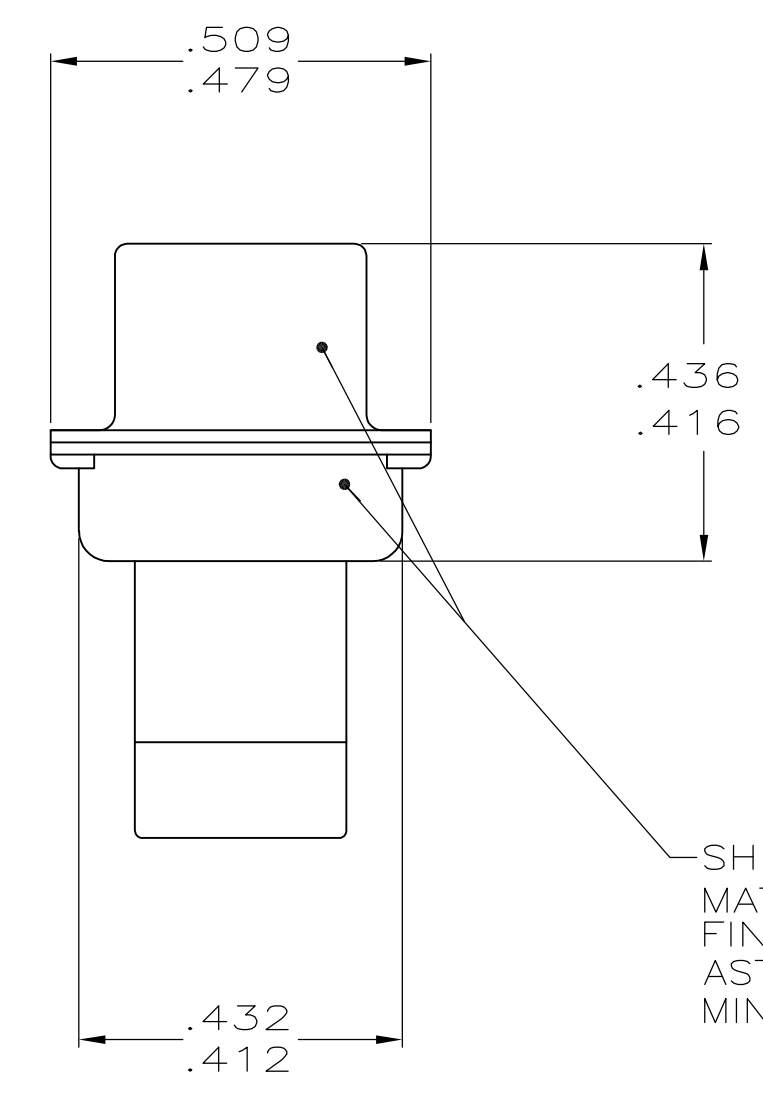
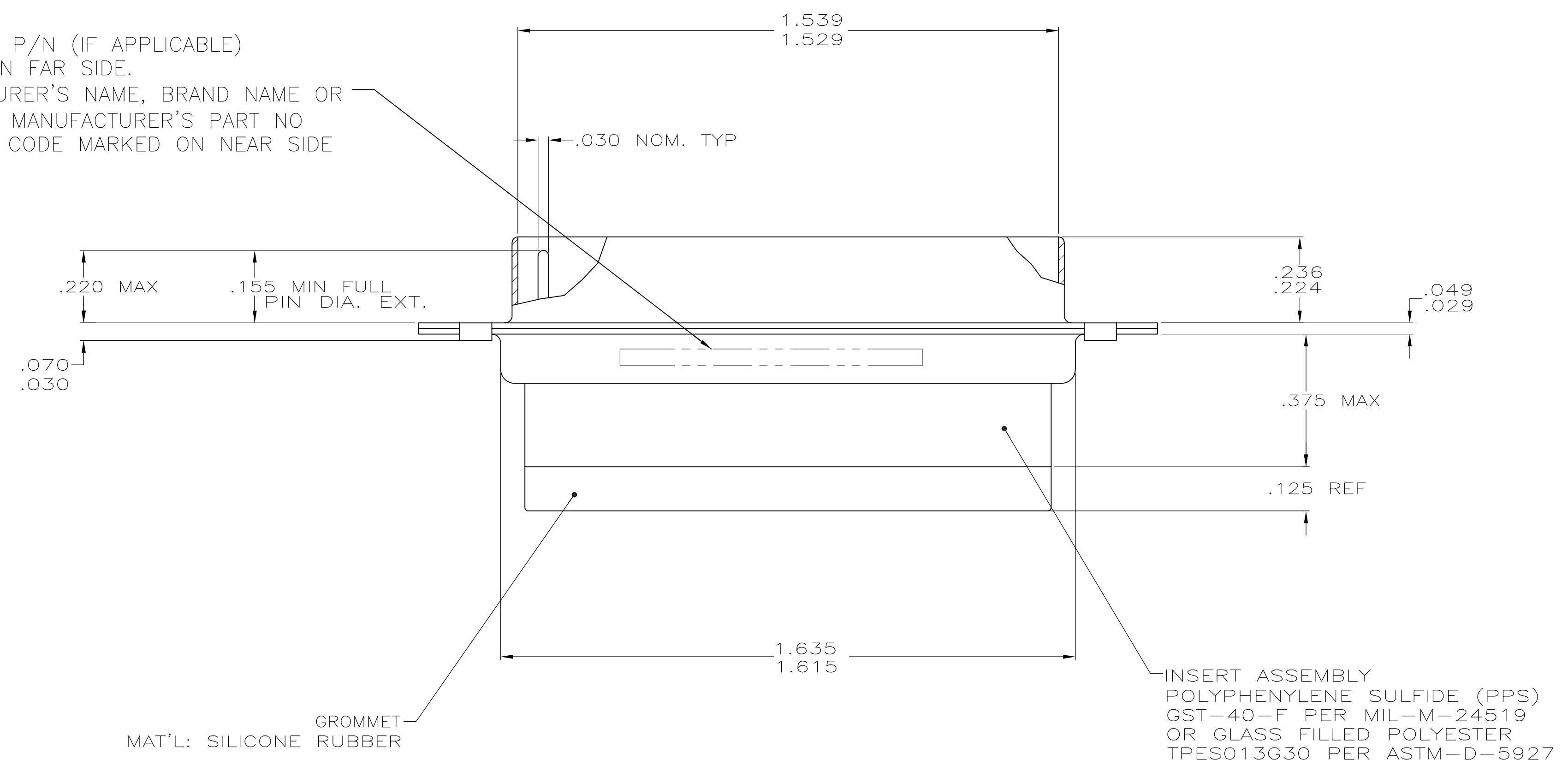
Address: A1208, Overseas Decoration Building, #122 Zhenhua RD., Futian, Shenzhen, China





- THIS PLUG WILL MATE WITH ANY SIZE 3, 44 POSN. RCPT. IN AMPLIMITE SERIES.
 - OVERALL DIMENSIONS DO NOT INCLUDE RAISED CAVITY IDENTIFICATION.
 - BE-CU RETENTION CLIPS ARE INCLUDED AND INSTALLED WITH TINES POINTING TOWARDS MATING FACE.
 - CONNECTOR SUPPLIED WITHOUT CONTACTS; SHOWN FOR ILLUSTRATION ONLY.
 - MARKING FAR SIDE REFERS TO WIDE SIDE OF KEYSTONE. NEAR SIDE REFERS TO NARROW SIDE OF KEYSTONE.
- ⚠ 100% INSPECTION REQUIRED PER BOEING 1B01:
A. VISUAL
B. DWV
C. IR
 - ⚠ CUSTOMER REQUIRES SINGLE LOT DATE CODE.
 - ⚠ SPECIAL REQUIREMENTS:
A. TEST TWO CONNECTORS PER LOT FOR COMPLIANCE TO GROMMET PEEL STRENGTH REQUIREMENTS.
B. TEST ALL CIRCUIT CAVITIES FOR MISALIGNMENT OR EXCESSIVE ADHESIVE.

CUSTOMER P/N (IF APPLICABLE) MARKED ON FAR SIDE.
 MANUFACTURER'S NAME, BRAND NAME OR LOGO AND MANUFACTURER'S PART NO AND DATE CODE MARKED ON NEAR SIDE



SHELL, FRONT & REAR
 MAT'L: BRASS PER ASTM B-19
 FINISH: GOLD PLATED PER ASTM-B-488 OVER .000100 MIN COPPER PER AMS 2418

⚠ - ⚠	1B01-033PHW	1-211675-1
-	-	211675-4
⚠ - ⚠	2A065-015V	211675-2
⚠	1B01-033	211675-1
REMARKS	CUSTOMER PART NO.	PART NO.

THIS DRAWING IS A CONTROLLED DOCUMENT.		DWN J. KAISER 3-11-04	Tyco Electronics Corporation Harrisburg, PA 17105-3608
DIMENSIONS: INCHES		CHK L. OH 3-25-04	
TOLERANCES UNLESS OTHERWISE SPECIFIED:		APPROD L. OH 3-25-04	NAME PLUG ASSY, AMPLIMITE, 44 POSN., SIZE 3, SERIES 90, NON-MAGNETIC, SPECIAL WITH GROMMET
0 PLC ± -		PRODUCT SPEC	
1 PLC ± -		APPLICATION SPEC	SIZE CAGE CODE DRAWING NO
2 PLC ± -		RESTRICTED TO	A1 00779 ©=211675
3 PLC ± .005 [0.13]		SCALE 4:1	SHEET 1 OF 1
4 PLC ± -		REV J	
FINISH SEE CALLOUTS			