



Chipsmall Limited consists of a professional team with an average of over 10 year of expertise in the distribution of electronic components. Based in Hongkong, we have already established firm and mutual-benefit business relationships with customers from,Europe,America and south Asia,supplying obsolete and hard-to-find components to meet their specific needs.

With the principle of "Quality Parts,Customers Priority,Honest Operation,and Considerate Service",our business mainly focus on the distribution of electronic components. Line cards we deal with include Microchip,ALPS,ROHM,Xilinx,Pulse,ON,Everlight and Freescale. Main products comprise IC,Modules,Potentiometer,IC Socket,Relay,Connector.Our parts cover such applications as commercial,industrial, and automotives areas.

We are looking forward to setting up business relationship with you and hope to provide you with the best service and solution. Let us make a better world for our industry!



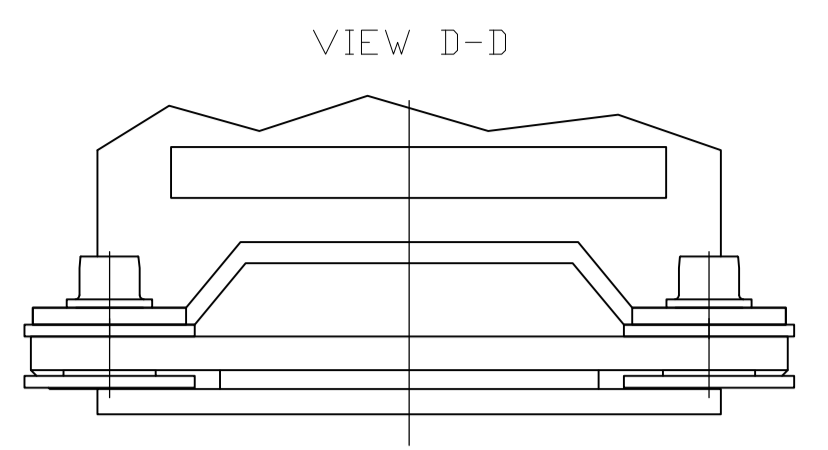
Contact us

Tel: +86-755-8981 8866 Fax: +86-755-8427 6832

Email & Skype: info@chipsmall.com Web: www.chipsmall.com

Address: A1208, Overseas Decoration Building, #122 Zhenhua RD., Futian, Shenzhen, China





SHELL
MATERIAL: ALUMINUM ALLOY
PER ASTM-B-85
FINISH: CHROMATE COATED PER
MIL-C-5541, CLAS 1A

DATE CODE AND PART
NUMBER INK STAMPED

DUST COVER
INSTALLED FOR SHIPMENT
MAT'L: CONDUCTIVE
THERMOPLASTIC

INSULATOR, SOCKET
MAT'L: PPS PER
MIL-M-24519

INSERT RETENTION PLATE (4 REQ'D)
MAT'L: ALUMINUM ALLOY
FINISH: CHROMATE (ALODINE 1200)
PER MIL-C-5541 CLASS 1A

RETAINER
MAT'L: ALUMINUM ALLOY
FINISH: CHROMATE COATED

#4-40 UNC PAN
HEAD SCREWS (10 PLC)

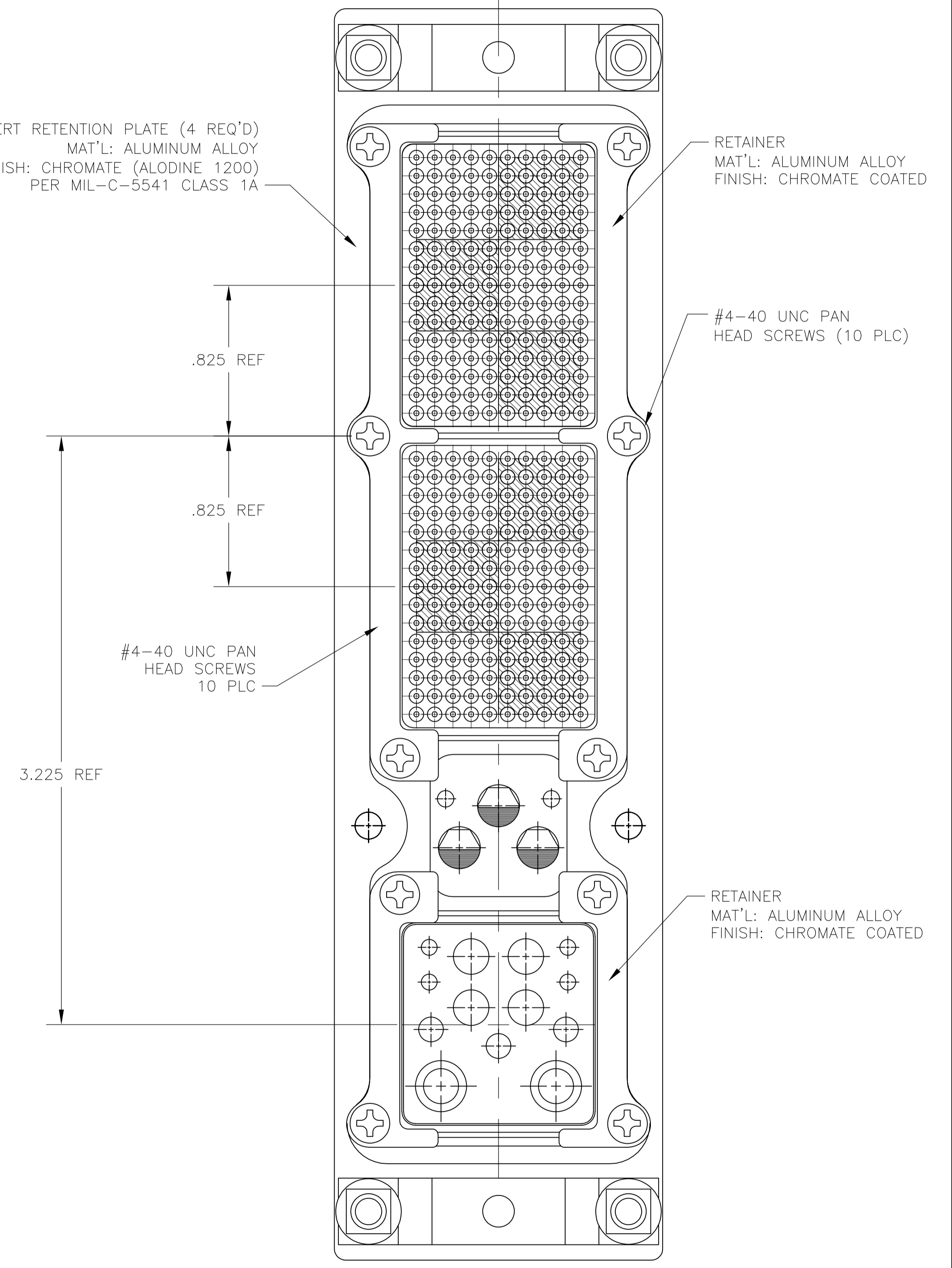
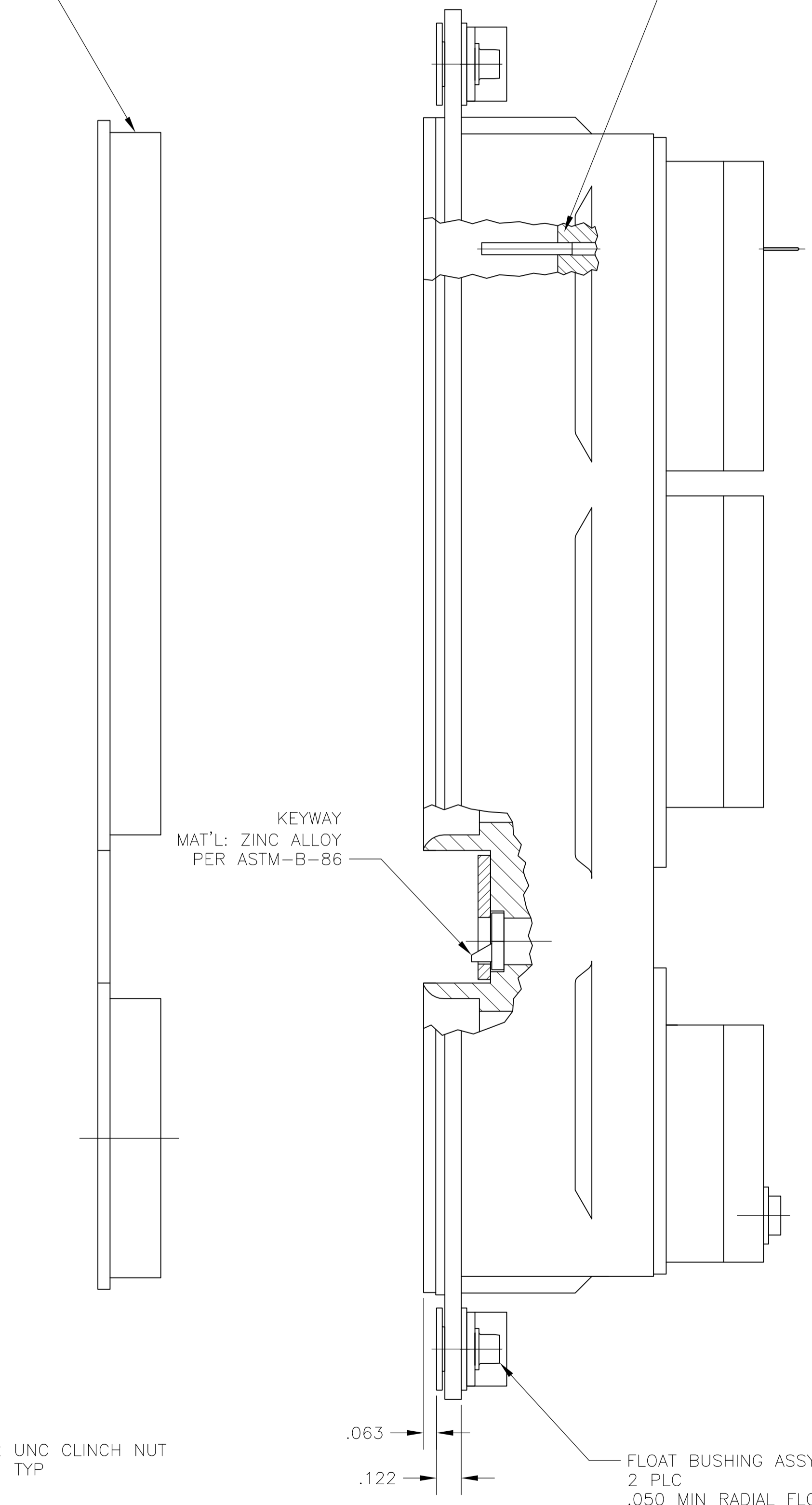
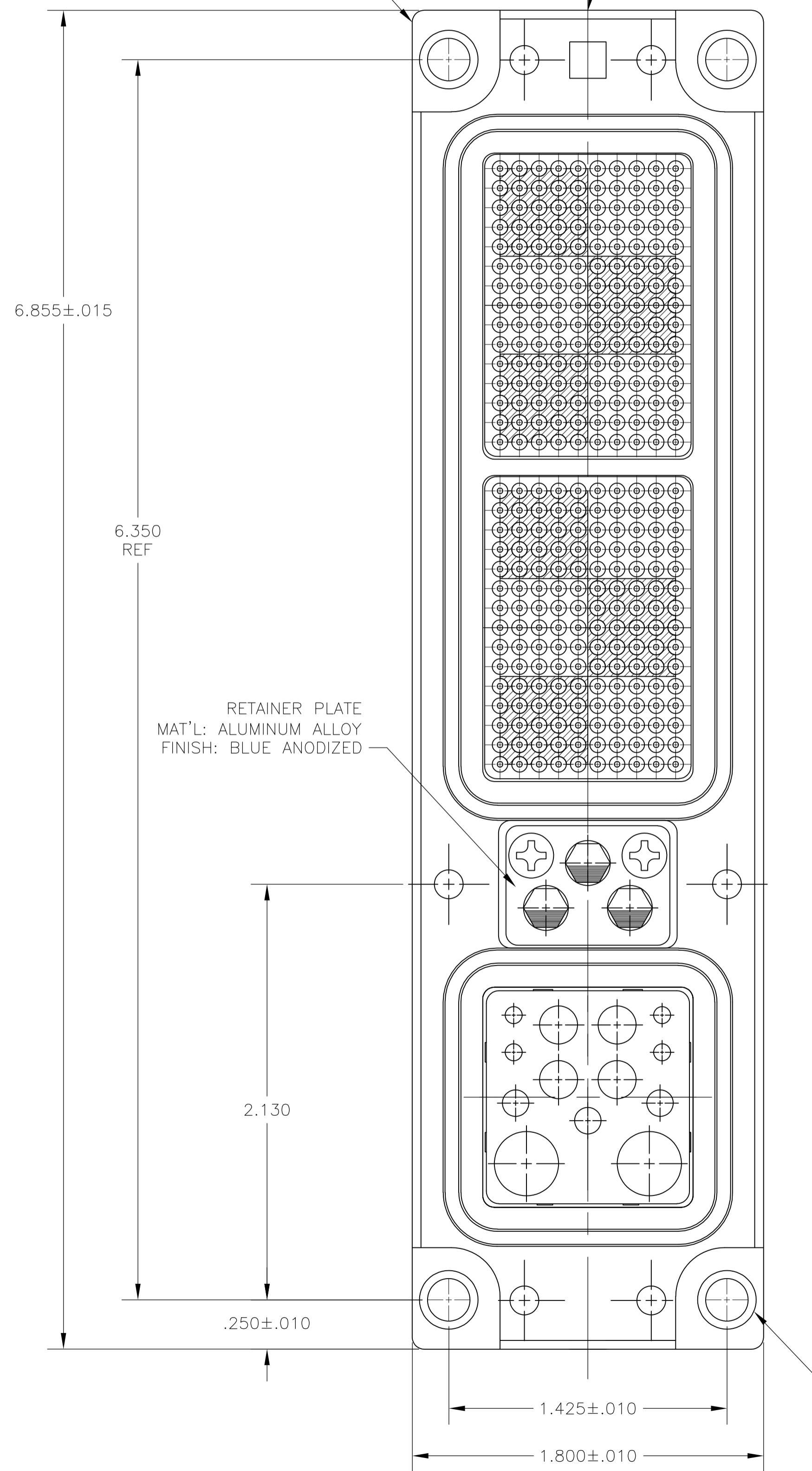
RETAINER
MAT'L: ALUMINUM ALLOY
FINISH: CHROMATE COATED

KEYWAY
MAT'L: ZINC ALLOY
PER ASTM-B-86

#4-40 UNC PAN
HEAD SCREWS
10 PLC

FLOAT BUSHING ASSY
2 PLC
.050 MIN RADIAL FLOAT

#6-32 UNC CLINCH NUT
TYP



THIS DRAWING IS A CONTROLLED DOCUMENT.

DIMENSIONS:	TOLERANCES UNLESS OTHERWISE SPECIFIED:
INCHES	0 PLC ± -
	1 PLC ± -
	2 PLC ± -
	3 PLC ± .005
	4 PLC ± -
	ANGLES ± -

APPROVED	DATE	NAME	RESTRICTED TO
C. THOMAS	17FEB06	C. THOMAS	
CUSTOMER DRAWING		SCALE 1:1	SHEET 1 OF 1



CONNECTOR ASSEMBLY, ARINC 600, RECEPTACLE, SIZE 2, (UNSEALED)

A1 00779 C=211700