



Chipsmall Limited consists of a professional team with an average of over 10 year of expertise in the distribution of electronic components. Based in Hongkong, we have already established firm and mutual-benefit business relationships with customers from,Europe,America and south Asia,supplying obsolete and hard-to-find components to meet their specific needs.

With the principle of “Quality Parts,Customers Priority,Honest Operation,and Considerate Service”,our business mainly focus on the distribution of electronic components. Line cards we deal with include Microchip,ALPS,ROHM,Xilinx,Pulse,ON,Everlight and Freescale. Main products comprise IC,Modules,Potentiometer,IC Socket,Relay,Connector.Our parts cover such applications as commercial,industrial, and automotives areas.

We are looking forward to setting up business relationship with you and hope to provide you with the best service and solution. Let us make a better world for our industry!



Contact us

Tel: +86-755-8981 8866 Fax: +86-755-8427 6832

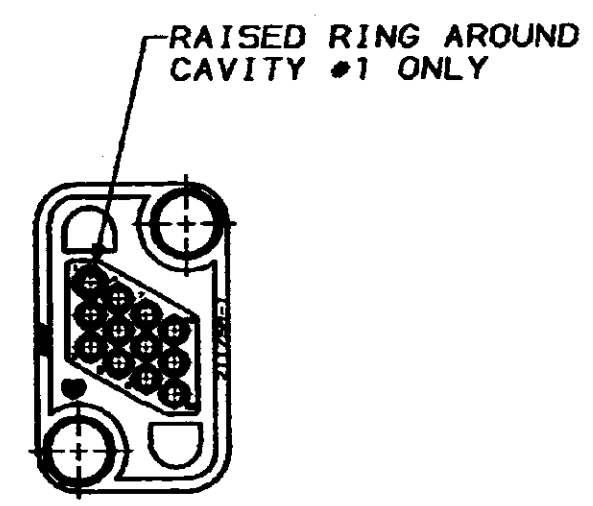
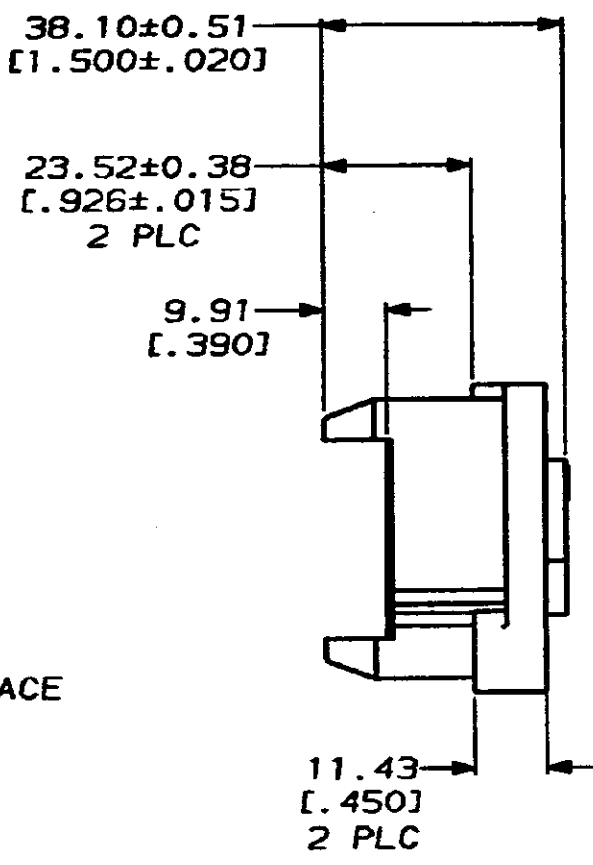
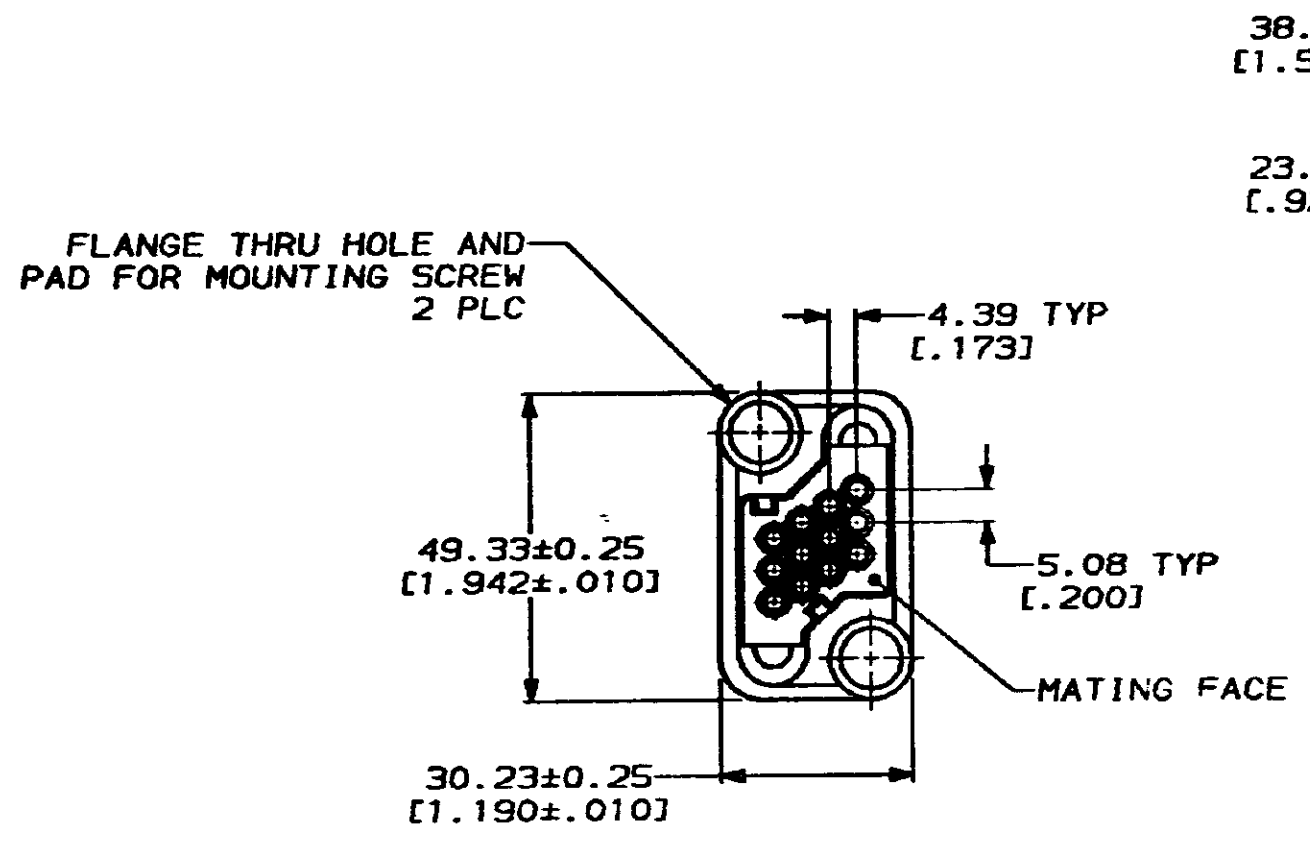
Email & Skype: info@chipsmall.com Web: www.chipsmall.com

Address: A1208, Overseas Decoration Building, #122 Zhenhua RD., Futian, Shenzhen, China

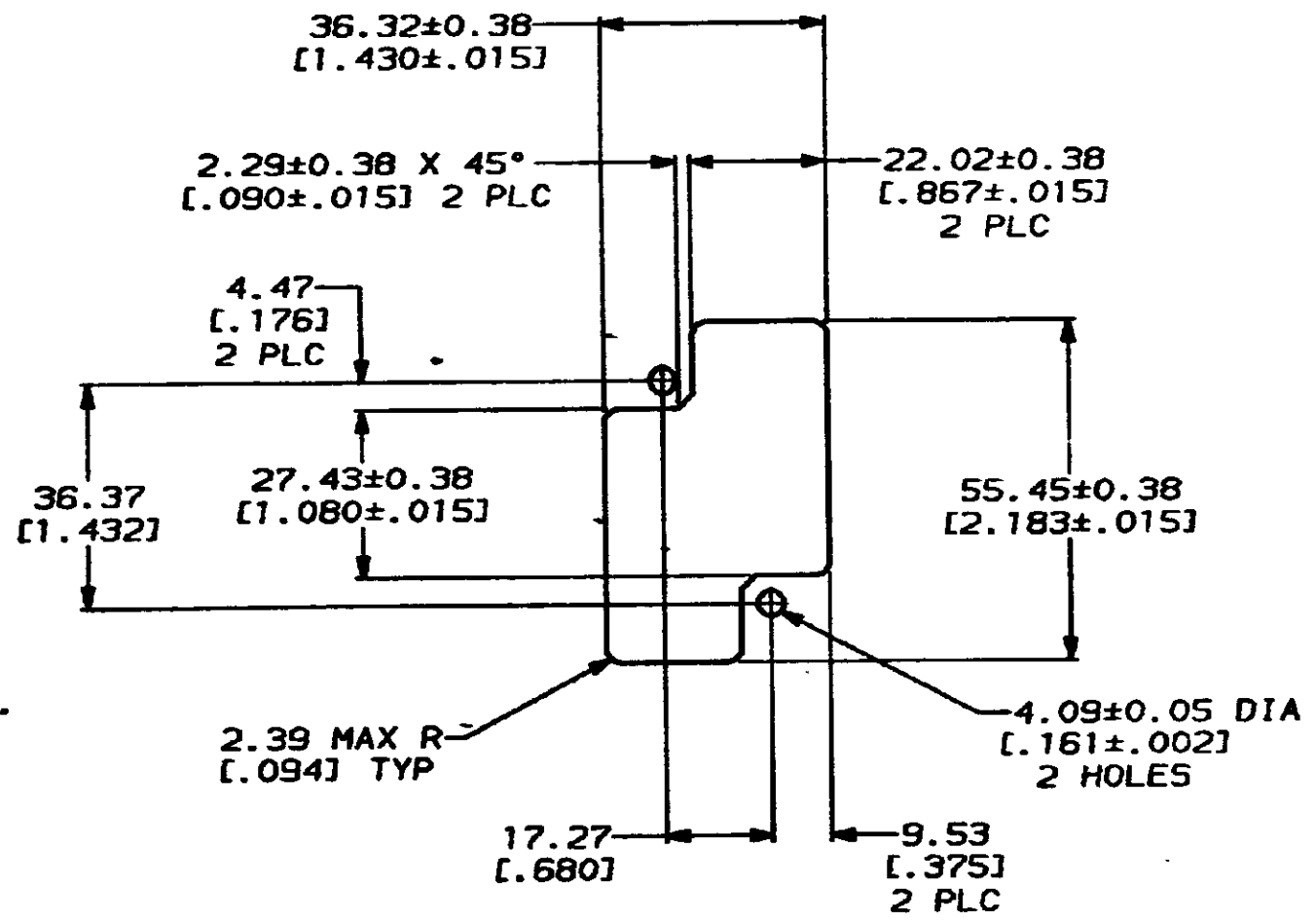


THIS DRAWING IS UNPUBLISHED. RELEASED FOR PUBLICATION .19
 © COPYRIGHT 19 BY AMP INCORPORATED. ALL INTERNATIONAL RIGHTS RESERVED.

REVISI0NS		DATE	APPD
NO	DESC		
1	BD 37	07/15/92	-
	F	REDRAWN WITHOUT CHANGE	



- 211758 MATES WITH 211759.
- MOUNTING SCREW INFORMATION SEE 208211.



SUGGESTED PANEL CUTOUT

THIS DRAWING IS A CONTROLLED DOCUMENT FOR AMP INCORPORATED. IT IS SUBJECT TO CHANGE AND THE CONTROLLING REVISIONING ORGANIZATION SHOULD BE CONTACTED FOR THE LATEST REVISION.

DO NOT SCALE PRINT. UNLESS SPECIFIED DIMENSIONS IN MM [INCHES] TOLERANCES ON:		DR 07/15/92 D.GELTZ		211758-1	
2 PLC DEC ± 0.13 [.005]		CHK 7-20-92 W.G.LENKER		PART NO	
3 PLC DEC ±		APPD 7-21-92 A.TRAVIS		AMP AMP Incorporated Harrisburg, PA 17105-9608	
ANGLES ±		APPD -		NAME	
MATERIAL THERMOPLASTIC, BLACK		PRODUCT SPEC -		SOCKET HOUSING, 12 POSITION, METRIMATE	
FINISH		APPLICATION SPEC -		SIZE CASE CODE DRAWING NO	
		WEIGHT -		C 00779 C-211758	
				SCALE 1:1 SHEET 1 OF 1	

CUSTOMER DRAWING