



Chipsmall Limited consists of a professional team with an average of over 10 year of expertise in the distribution of electronic components. Based in Hongkong, we have already established firm and mutual-benefit business relationships with customers from,Europe,America and south Asia,supplying obsolete and hard-to-find components to meet their specific needs.

With the principle of “Quality Parts,Customers Priority,Honest Operation,and Considerate Service”,our business mainly focus on the distribution of electronic components. Line cards we deal with include Microchip,ALPS,ROHM,Xilinx,Pulse,ON,Everlight and Freescale. Main products comprise IC,Modules,Potentiometer,IC Socket,Relay,Connector.Our parts cover such applications as commercial,industrial, and automotives areas.

We are looking forward to setting up business relationship with you and hope to provide you with the best service and solution. Let us make a better world for our industry!



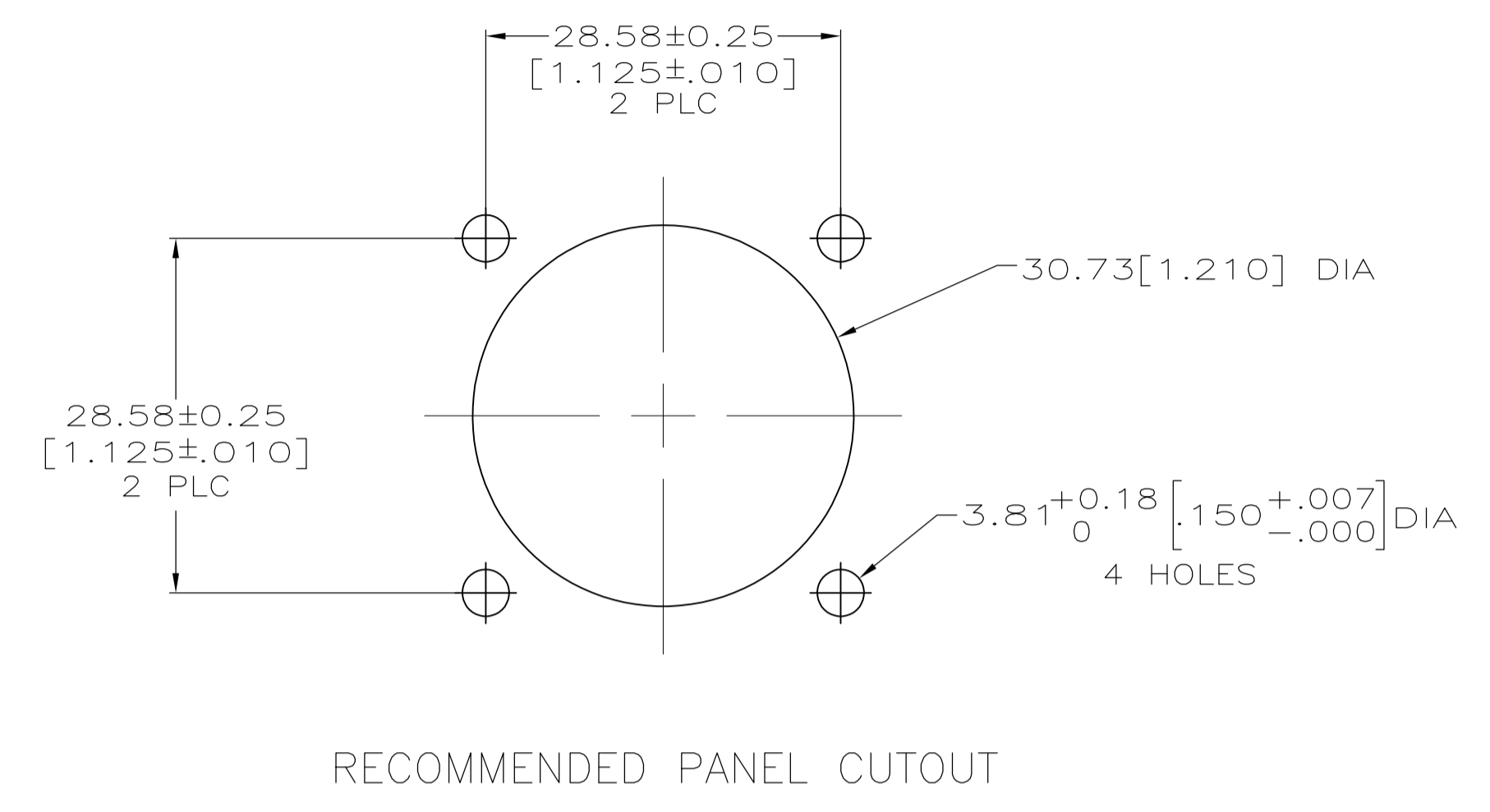
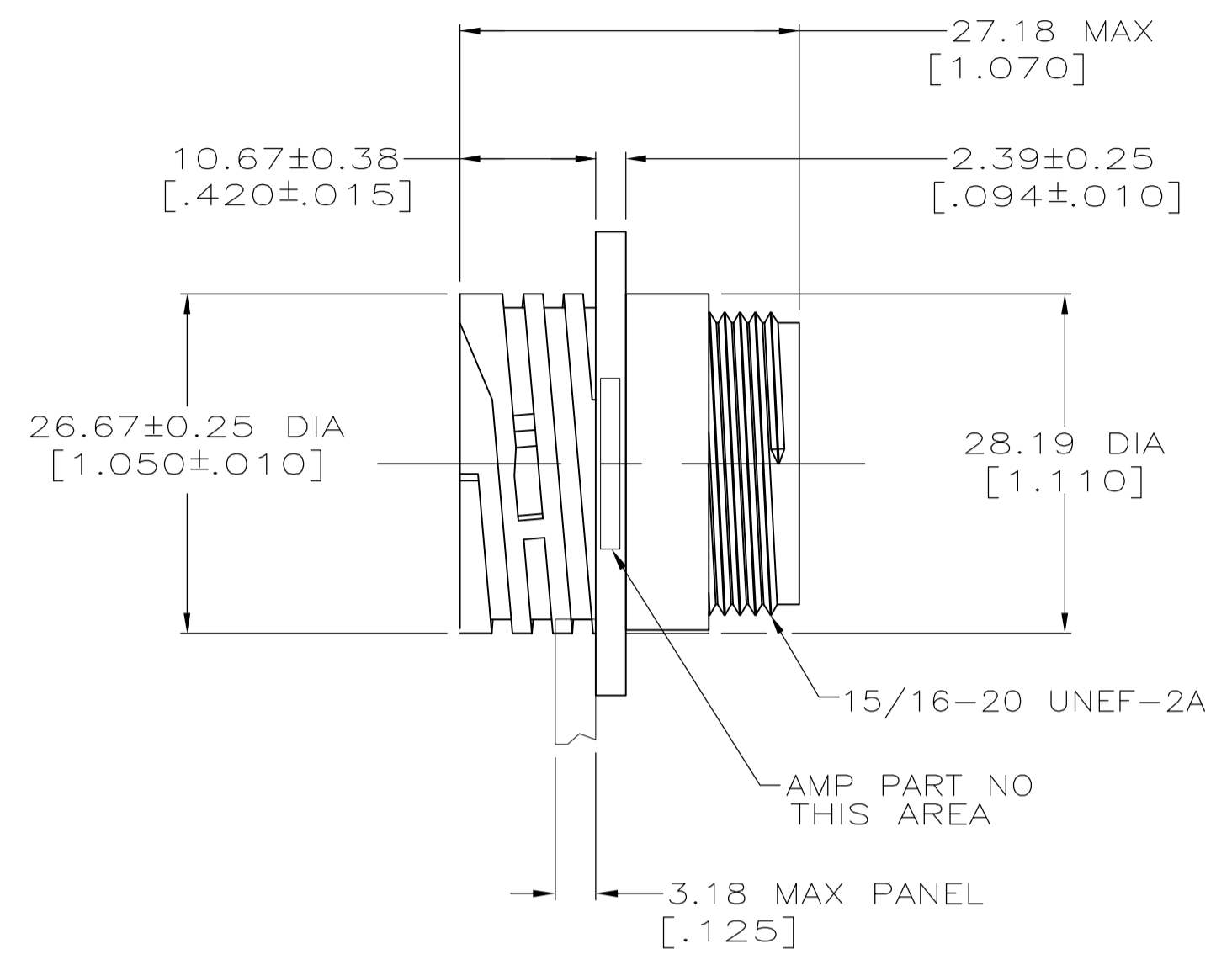
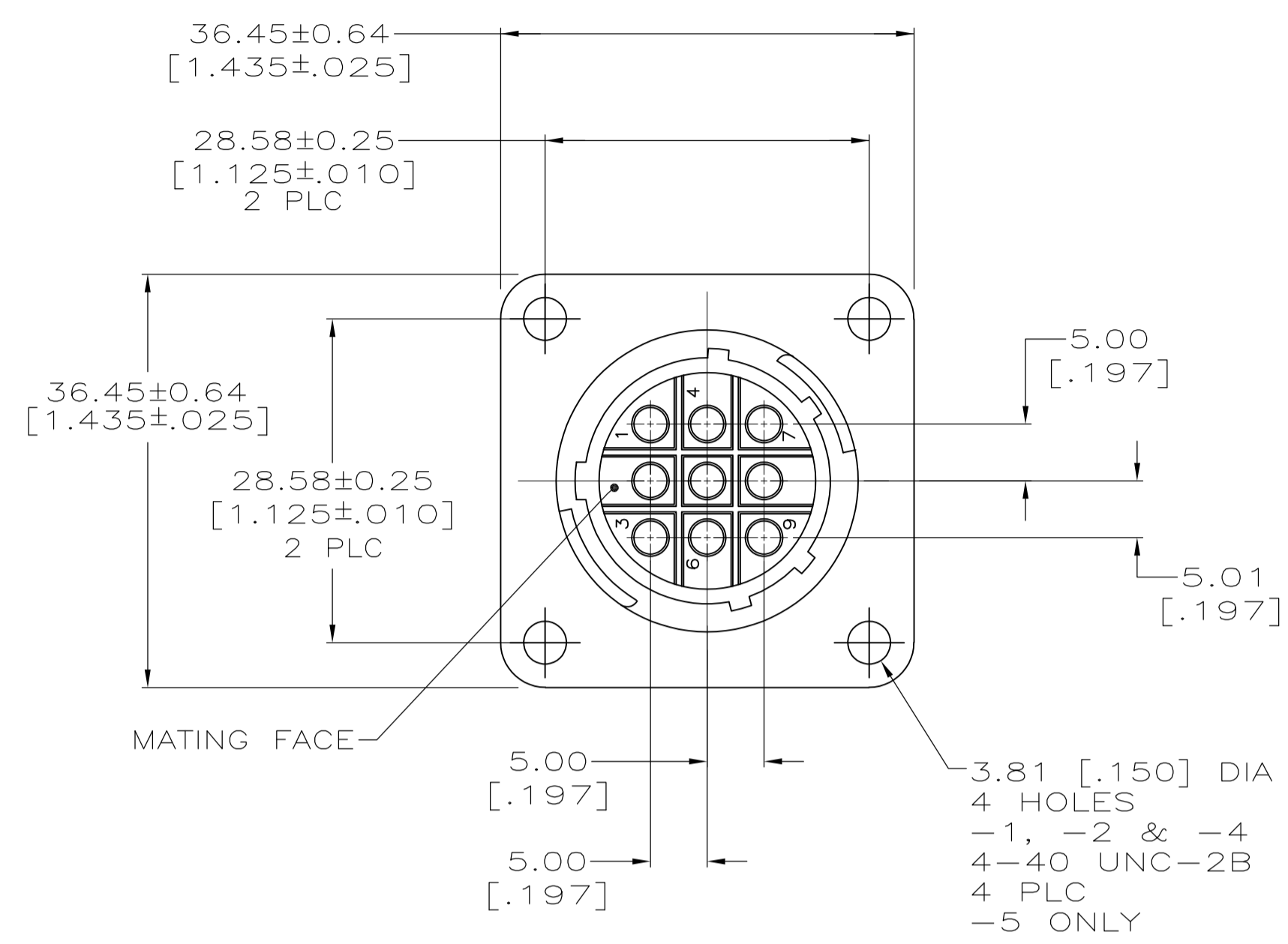
Contact us

Tel: +86-755-8981 8866 Fax: +86-755-8427 6832

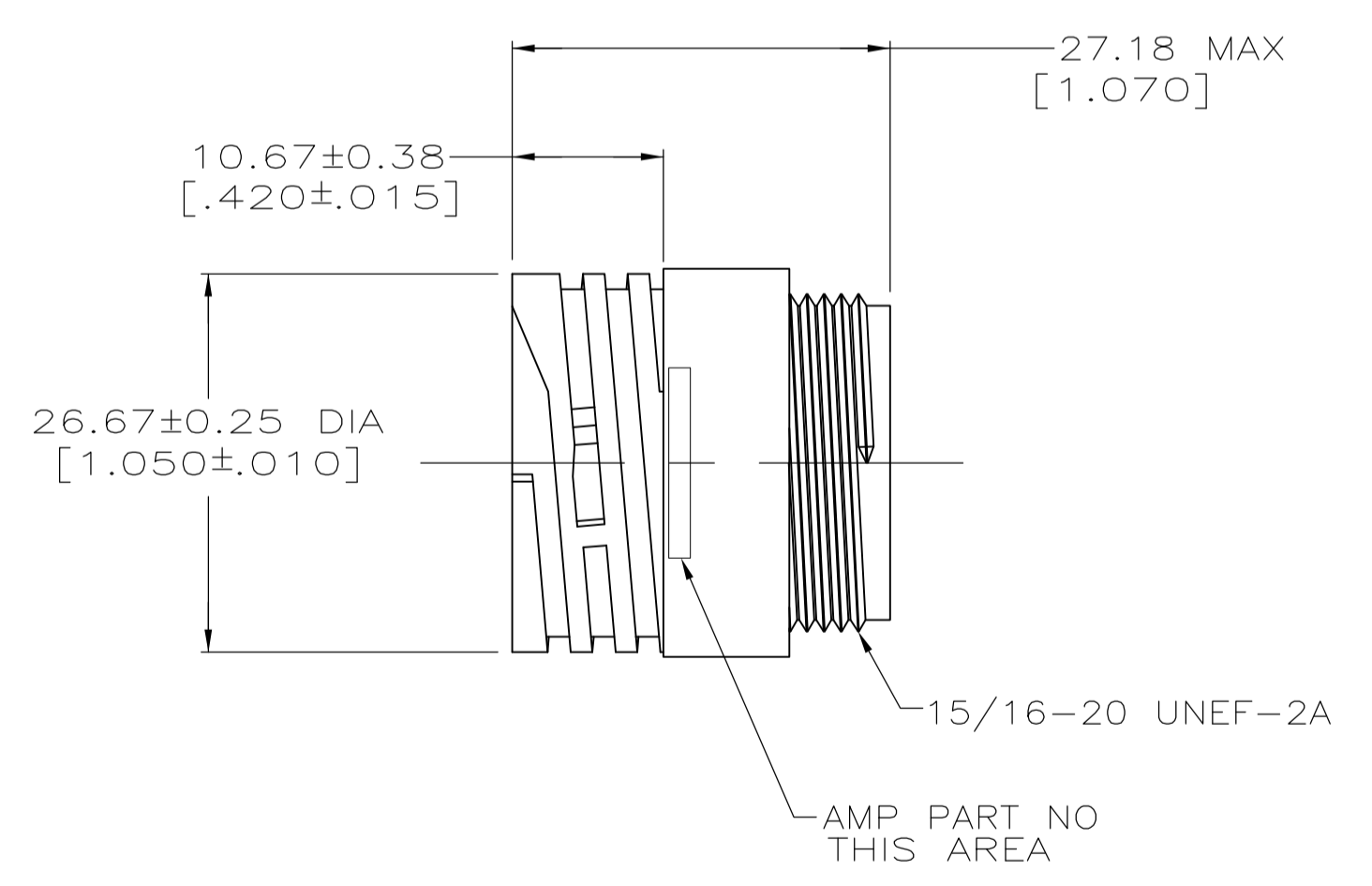
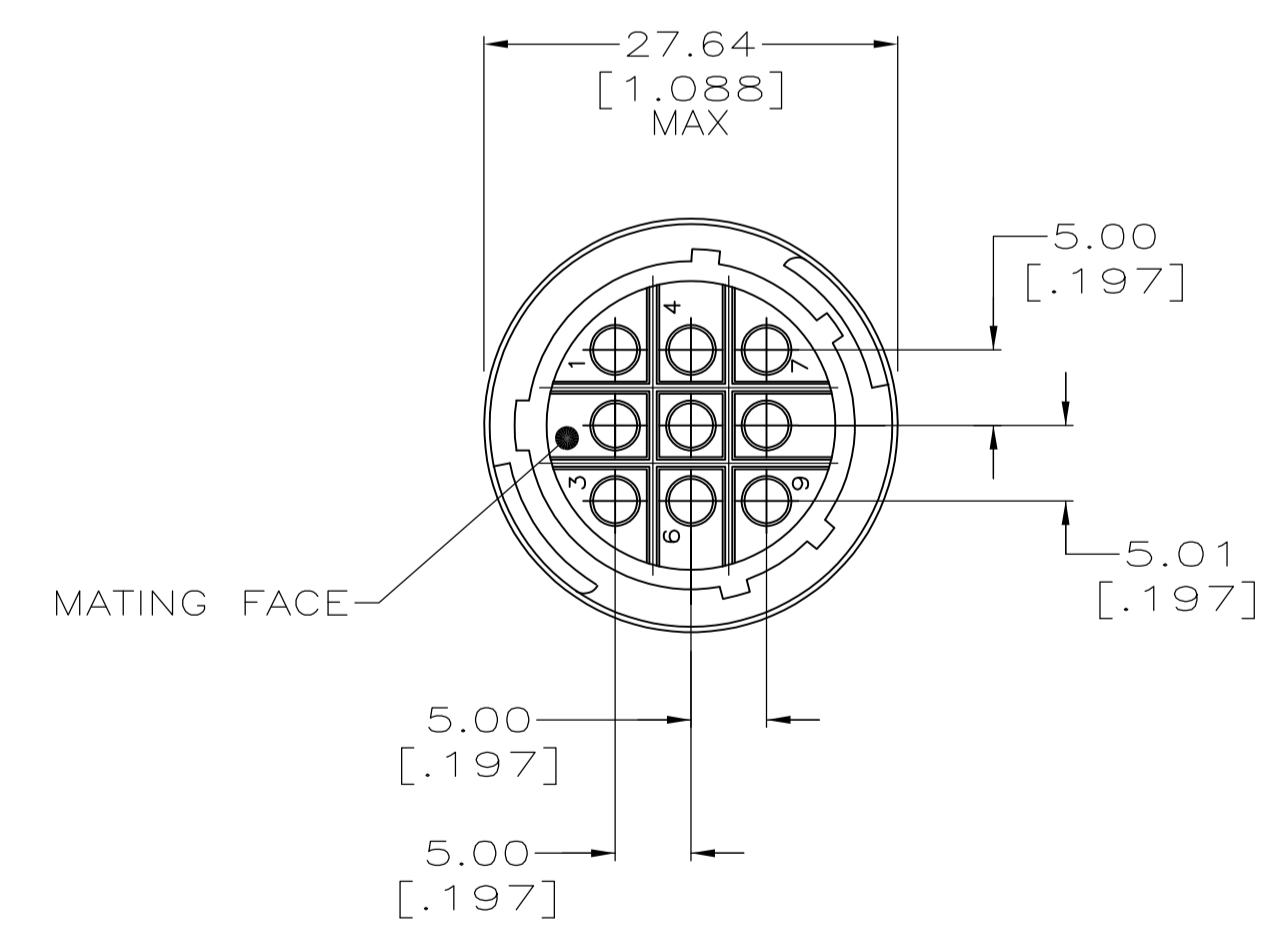
Email & Skype: info@chipsmall.com Web: www.chipsmall.com

Address: A1208, Overseas Decoration Building, #122 Zhenhua RD., Futian, Shenzhen, China





211769-1, -2, -4 & -5



211769-3

YES	FLANGE	211769-5
NO	FLANGE	211769-4
NO	FREE HANGING	211769-3
NO	FLANGE	211769-2
NO	FLANGE	211769-1
THREADED INSERTS	MOUNTING	PART NUMBER

1. CAVITY IDENTIFICATION ON FRONT AND REAR FACE.
 2. WILL ACCEPT NINE (9) MULTIMATE SOCKET CONTACTS.
- 3.81 [.150] MAXIMUM INSULATION DIAMETER.
 - 2.54 [.100] MAXIMUM INSULATION DIAMETER.

THIS DRAWING IS A CONTROLLED DOCUMENT.

DIMENSIONS: mm [INCHES]	TOLERANCES UNLESS OTHERWISE SPECIFIED:	DIN 09-24-94	D. BROCKWAY
0 PLC ± -	1 PLC ± -	09-30-94	R. STONE
2 PLC ± 0.13 [.005]	3 PLC ± -	10-03-94	A. FRANTUM
4 PLC ± -	ANGLES ± -		
MATERIAL -	FINISH -	WEIGHT -	SIZE A1
			00779 C=211769
			CUSTOMER DRAWING

TE Connectivity

RECEPTACLE HOUSING, REVERSE SEX, SHELL SIZE 17, CPC

SCALE 2:1 SHEET 1 OF 1 REV G1