



Chipsmall Limited consists of a professional team with an average of over 10 year of expertise in the distribution of electronic components. Based in Hongkong, we have already established firm and mutual-benefit business relationships with customers from,Europe,America and south Asia,supplying obsolete and hard-to-find components to meet their specific needs.

With the principle of “Quality Parts,Customers Priority,Honest Operation,and Considerate Service”,our business mainly focus on the distribution of electronic components. Line cards we deal with include Microchip,ALPS,ROHM,Xilinx,Pulse,ON,Everlight and Freescale. Main products comprise IC,Modules,Potentiometer,IC Socket,Relay,Connector.Our parts cover such applications as commercial,industrial, and automotives areas.

We are looking forward to setting up business relationship with you and hope to provide you with the best service and solution. Let us make a better world for our industry!



Contact us

Tel: +86-755-8981 8866 Fax: +86-755-8427 6832

Email & Skype: info@chipsmall.com Web: www.chipsmall.com

Address: A1208, Overseas Decoration Building, #122 Zhenhua RD., Futian, Shenzhen, China

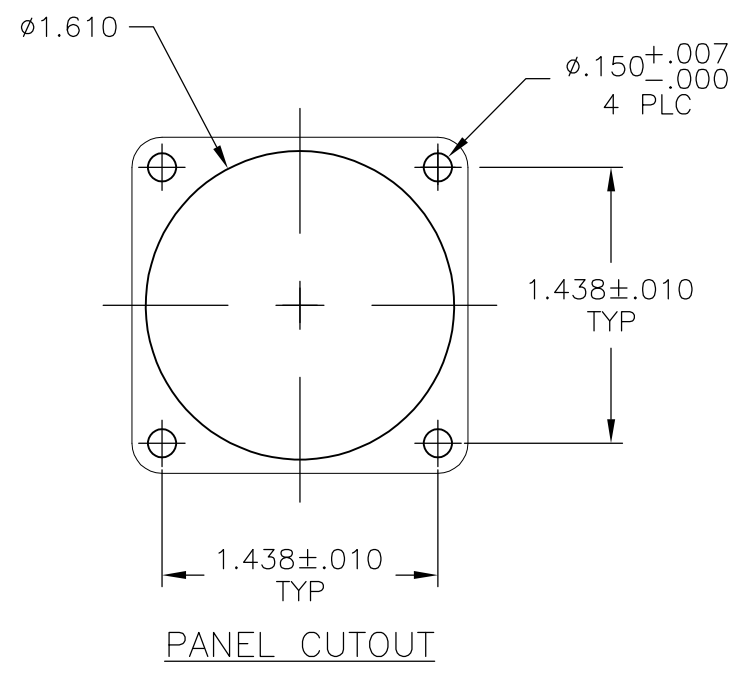
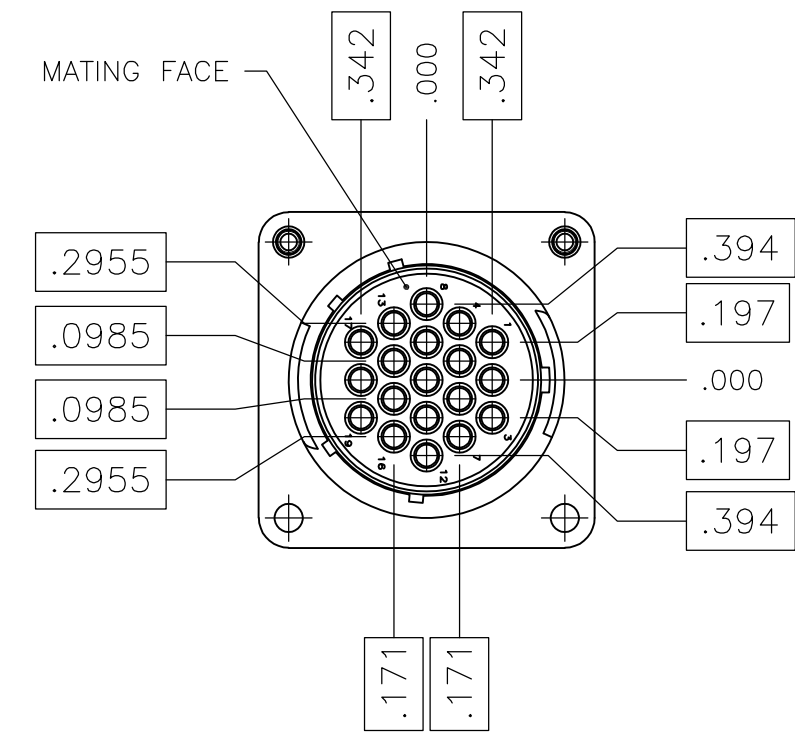
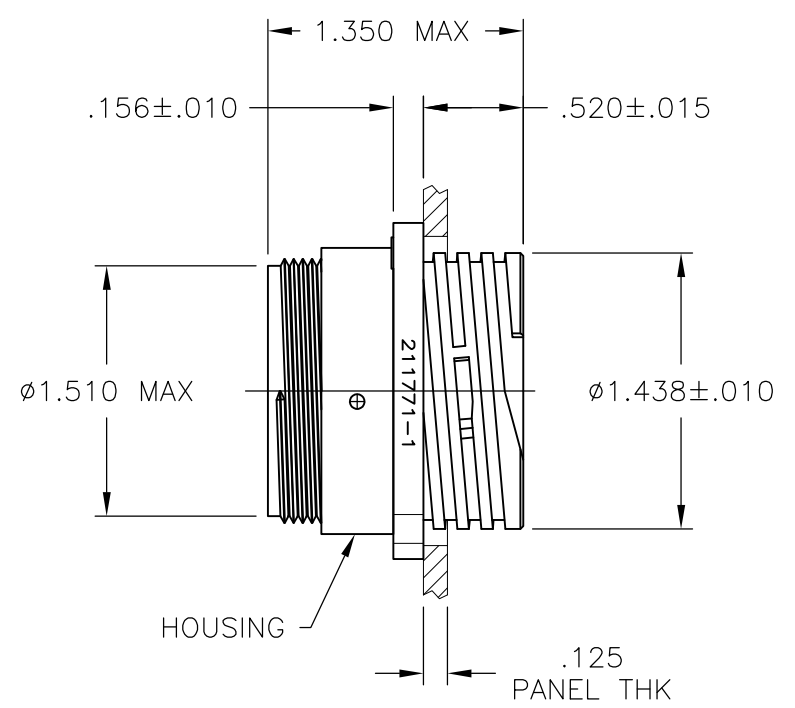
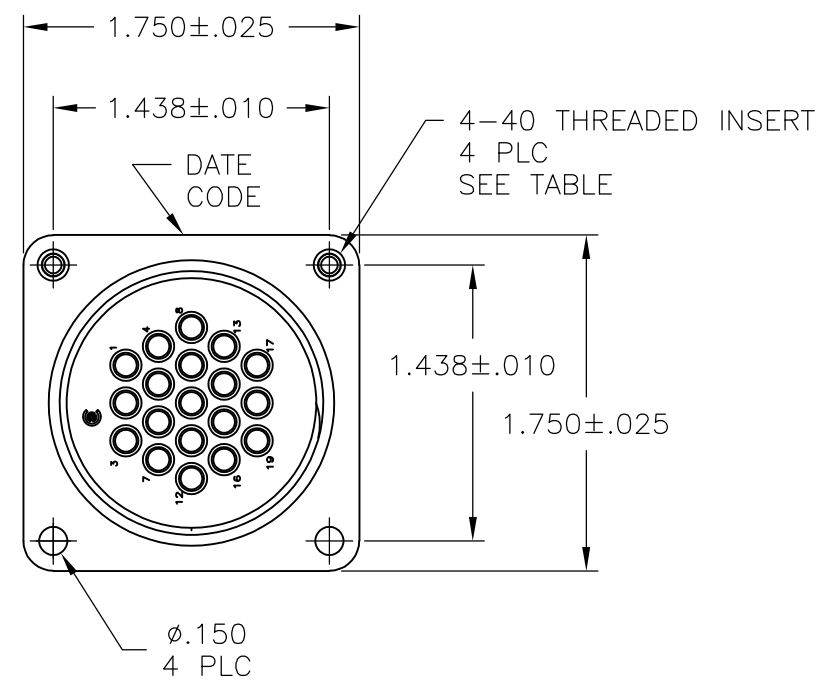


THIS DRAWING IS UNPUBLISHED. RELEASED FOR PUBLICATION - , - .
 © COPYRIGHT - By - ALL RIGHTS RESERVED.

LOC	DIST	REVISIONS					
FT	0	P	LTR	DESCRIPTION	DATE	DWN	APVD
				D1	REVISED PER ECO-11-004917	11MAR11	RK HMR

NOTES:

- ① HOUSING: NYLON, BLACK.
THREADED INSERTS: BRASS.
- 2. WILL ACCEPT (19) MULTIMATE PIN CONTACTS.



YES	NORMAL	211771-2
NO	NORMAL	211771-1
4-40 THREADED INSERTS	KEYING	PART NUMBER

THIS DRAWING IS A CONTROLLED DOCUMENT.		DWN	C.OBERMAN	8-16-94	STE TE Connectivity		
		CHK	R.STONE	8-17-94			
DIMENSIONS: INCHES		TOLERANCES UNLESS OTHERWISE SPECIFIED:		NAME			
		0 PLC	± -	APVD	10-3-94	RECEPTACLE HOUSING, STD SEX, SERIES I, SHELL SIZE 23, CPC	
		1 PLC	± -		A.FRANTUM		
		2 PLC	± .005	PRODUCT SPEC	10-3-94		
		3 PLC	± -		A.FRANTUM		
		4 PLC	± -	APPLICATION SPEC			
		ANGLES	± -				
MATERIAL		FINISH		WEIGHT	-	SIZE	CAGE CODE
①		-				A3	00779
				DRAWING NO		RESTRICTED TO	
				G-211771		-	
CUSTOMER DRAWING				SCALE	1:1	SHEET	1 OF 1
						REV D1	