



Chipsmall Limited consists of a professional team with an average of over 10 year of expertise in the distribution of electronic components. Based in Hongkong, we have already established firm and mutual-benefit business relationships with customers from,Europe,America and south Asia,supplying obsolete and hard-to-find components to meet their specific needs.

With the principle of "Quality Parts,Customers Priority,Honest Operation,and Considerate Service",our business mainly focus on the distribution of electronic components. Line cards we deal with include Microchip,ALPS,ROHM,Xilinx,Pulse,ON,Everlight and Freescale. Main products comprise IC,Modules,Potentiometer,IC Socket,Relay,Connector.Our parts cover such applications as commercial,industrial, and automotives areas.

We are looking forward to setting up business relationship with you and hope to provide you with the best service and solution. Let us make a better world for our industry!



## Contact us

Tel: +86-755-8981 8866 Fax: +86-755-8427 6832

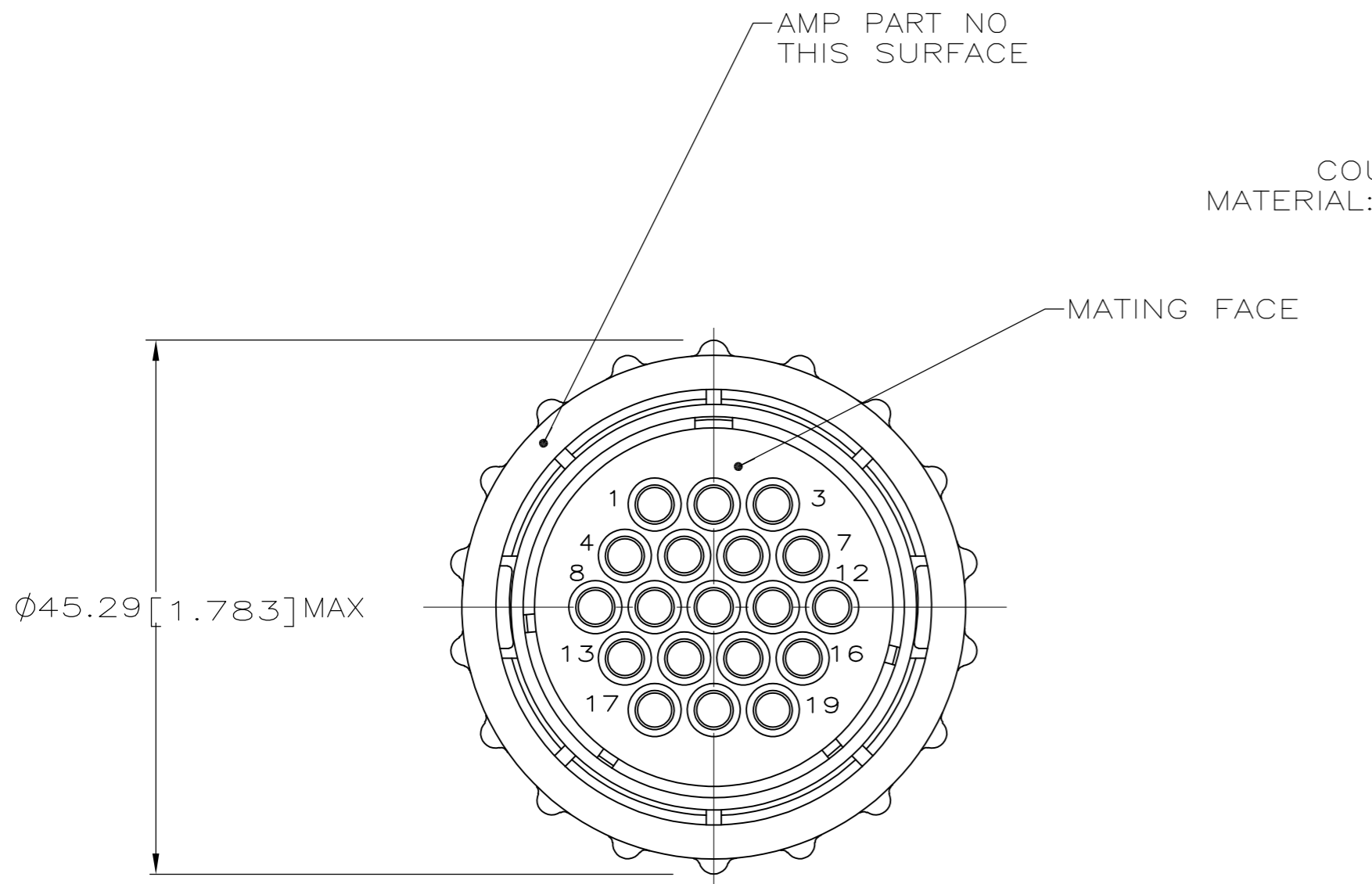
Email & Skype: info@chipsmall.com Web: www.chipsmall.com

Address: A1208, Overseas Decoration Building, #122 Zhenhua RD., Futian, Shenzhen, China



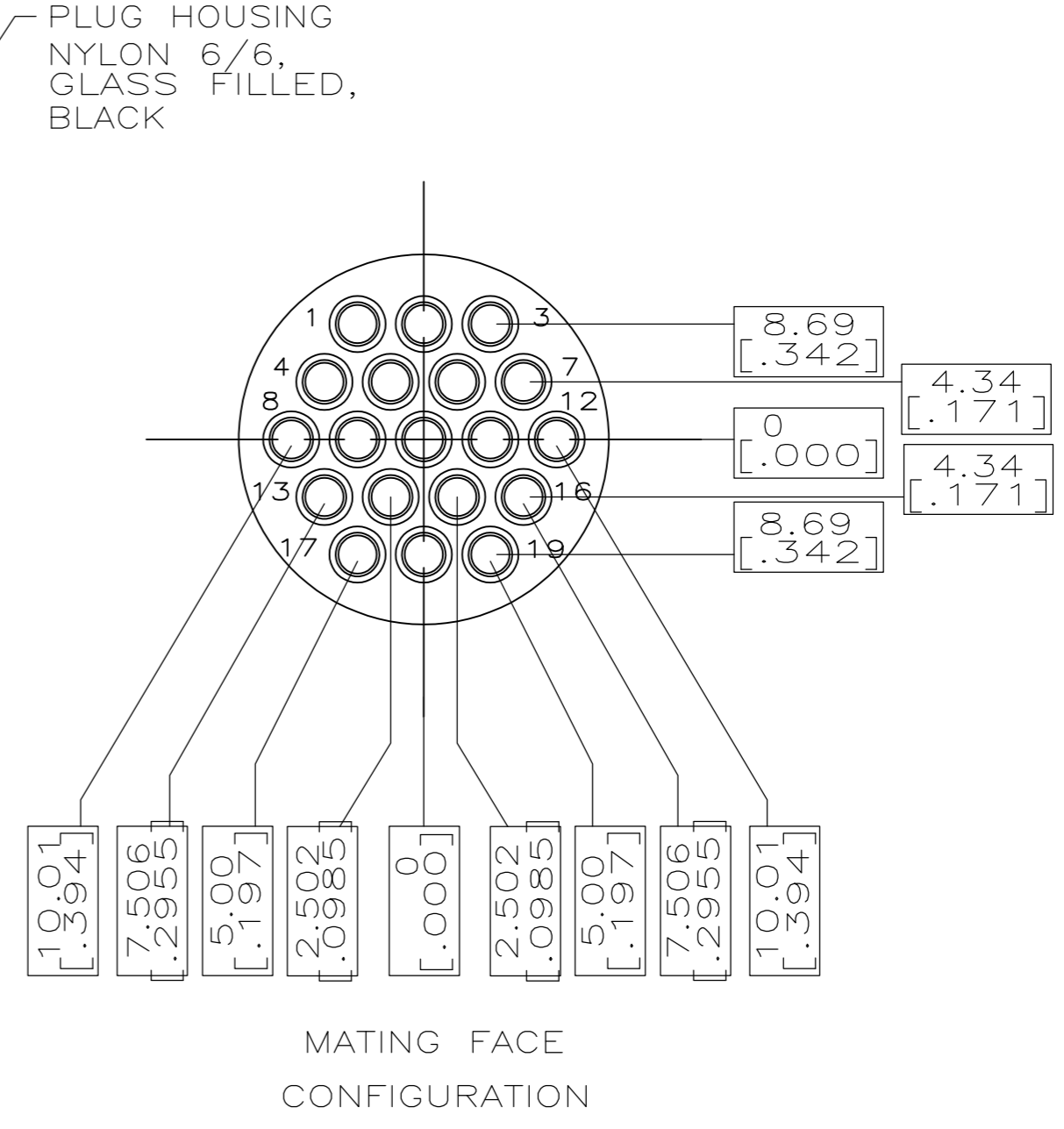
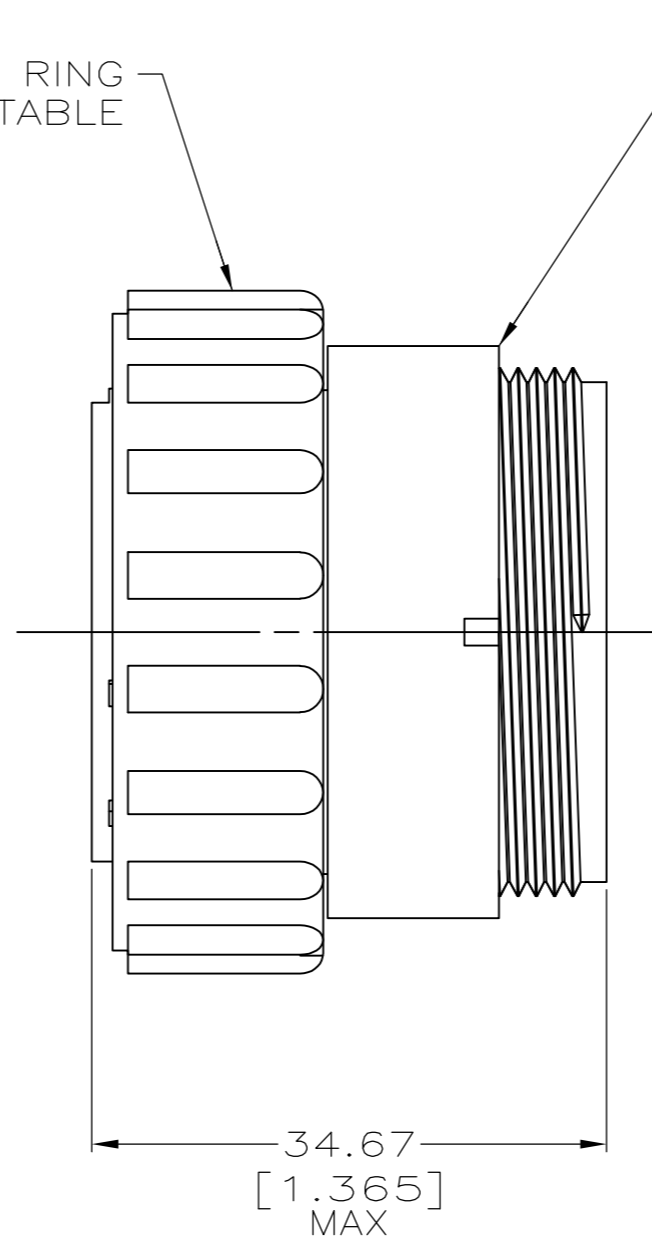
THIS DRAWING IS UNPUBLISHED. RELEASED FOR PUBLICATION  
 © COPYRIGHT - By - ALL RIGHTS RESERVED.

LOC	DIST	REVISIONS			
P	LTR	DESCRIPTION	DATE	DWN	APVD
FT	0	E3	REVISED PER ECO-11-004917	11MAR11	RK HMR

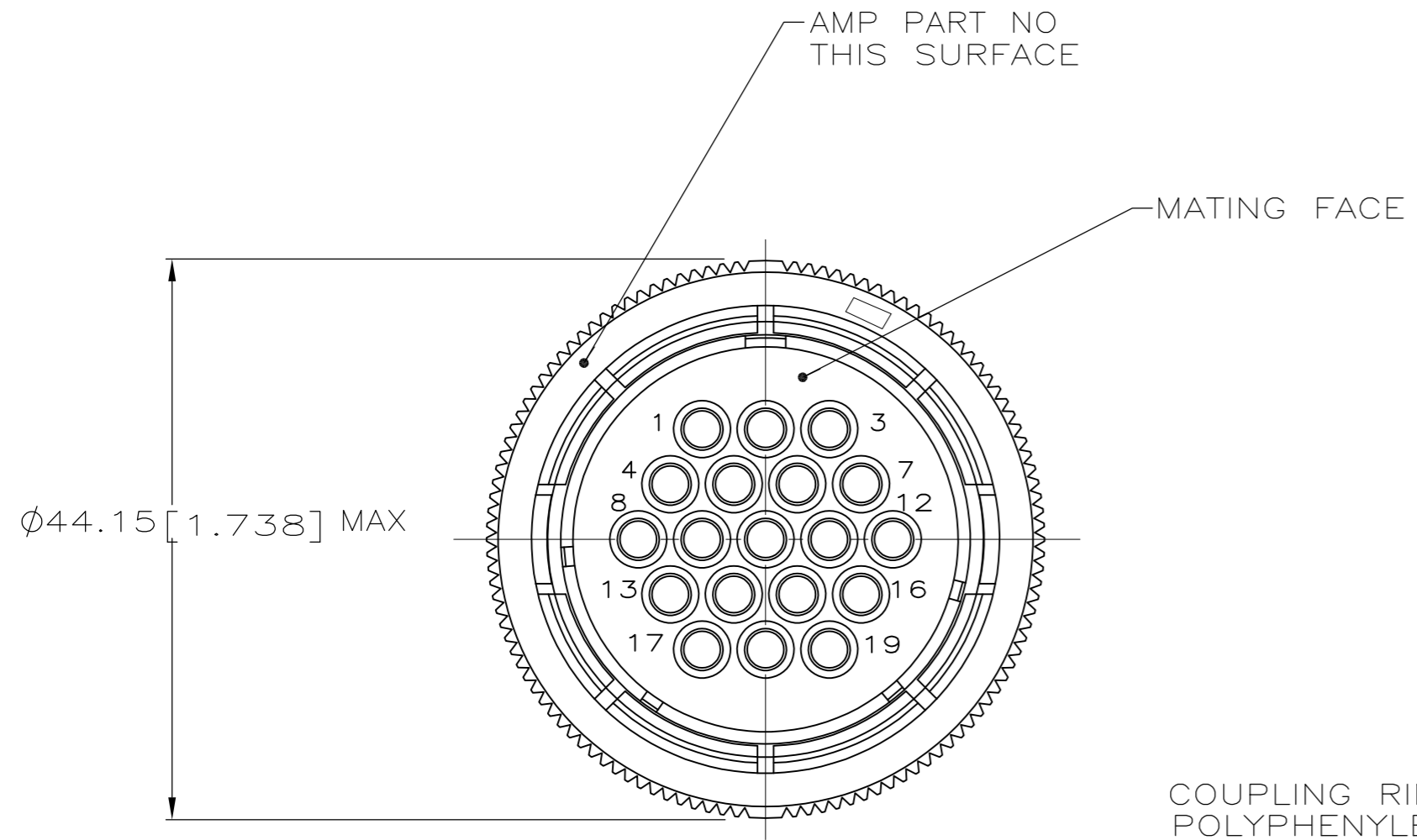


(-1 & -4 ONLY)

COUPLING RING MATERIAL: SEE TABLE

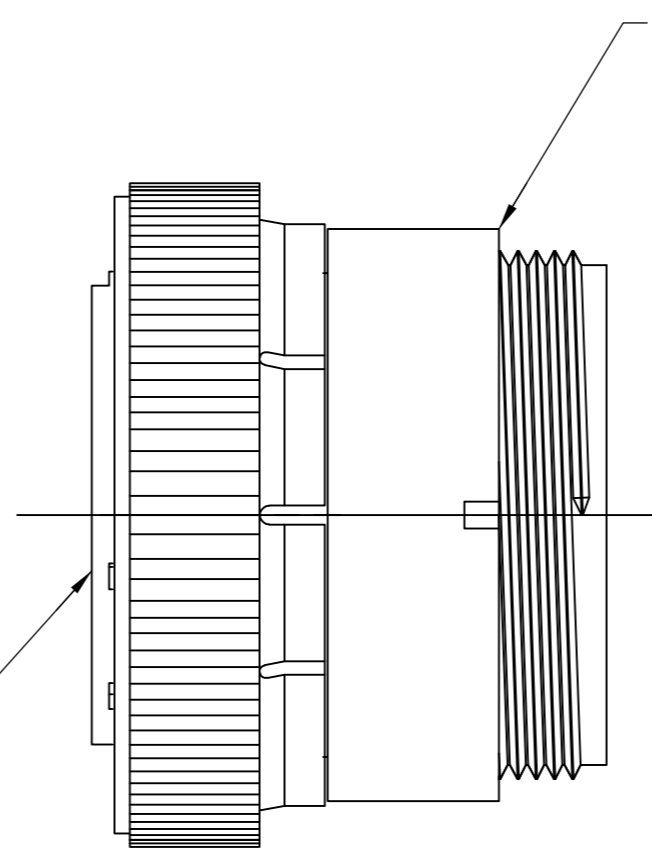


MATING FACE CONFIGURATION



(-3 ONLY)

COUPLING RING POLYPHENYLENE, BLACK



- CONTACT CAVITIES IDENTIFIED BY CHARACTERS ON FRONT AND REAR FACES OF CONNECTOR.
- THIS PART WILL ACCEPT 19 MULTIMATE PIN CONTACTS.
- NORMAL KEYING.
- OBSELETE PARTS: OBSELETE CIS STREAMLINING PER D.RENAUD/D.SINISI

4	OBSELETE	DIE CAST ZINC	-211772-4
		POLYESTER, BLACK	211772-3
		POLYESTER, BLACK	211772-1
		COUPLING RING MATERIAL	PART NUMBER

THIS DRAWING IS A CONTROLLED DOCUMENT.		DWN	S. RIDGLEY	31 JUL 90		TE Connectivity		
DIMENSIONS: mm [INCHES]		CHK	R. STONE	26 APR 91		NAME		
TOLERANCES UNLESS OTHERWISE SPECIFIED:		APVD	K. BEAVER	03 APR 91		PRODUCT SPEC		
0 PLC ± -		APPLICATION SPEC		108-10024				
1 PLC ± -		WEIGHT		A2			CAGE CODE	
2 PLC ± -		FINISH		00779			DRAWING NO	
3 PLC ± -		MATERIAL		CUSTOMER DRAWING			RESTRICTED TO	
4 PLC ± -				SCALE			SHEET	
ANGLES ± -				2:1			1 of 1	
FINISH ± -				REV			E3	