



Chipsmall Limited consists of a professional team with an average of over 10 year of expertise in the distribution of electronic components. Based in Hongkong, we have already established firm and mutual-benefit business relationships with customers from,Europe,America and south Asia,supplying obsolete and hard-to-find components to meet their specific needs.

With the principle of “Quality Parts,Customers Priority,Honest Operation,and Considerate Service”,our business mainly focus on the distribution of electronic components. Line cards we deal with include Microchip,ALPS,ROHM,Xilinx,Pulse,ON,Everlight and Freescale. Main products comprise IC,Modules,Potentiometer,IC Socket,Relay,Connector.Our parts cover such applications as commercial,industrial, and automotives areas.

We are looking forward to setting up business relationship with you and hope to provide you with the best service and solution. Let us make a better world for our industry!



Contact us

Tel: +86-755-8981 8866 Fax: +86-755-8427 6832

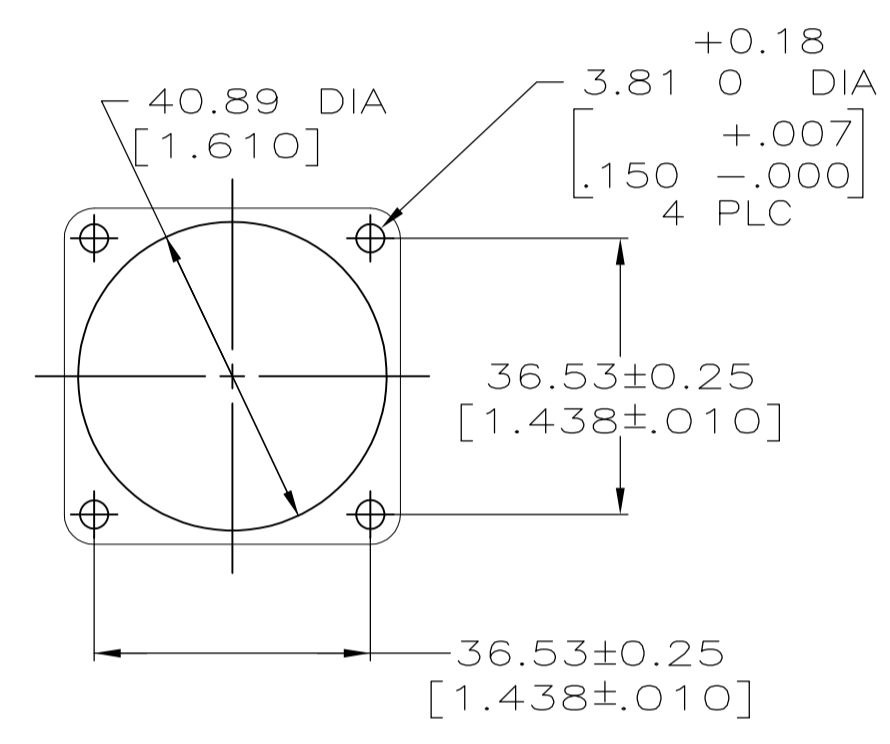
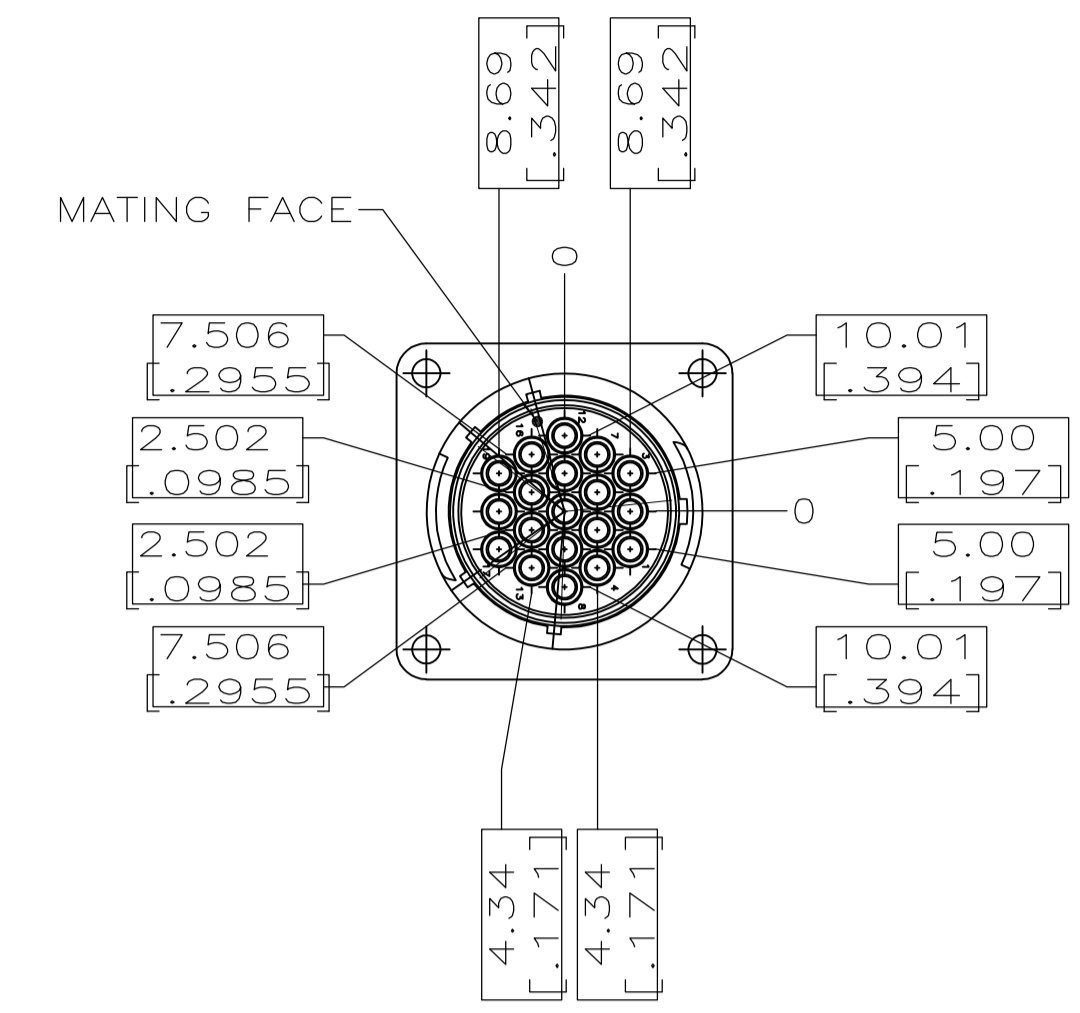
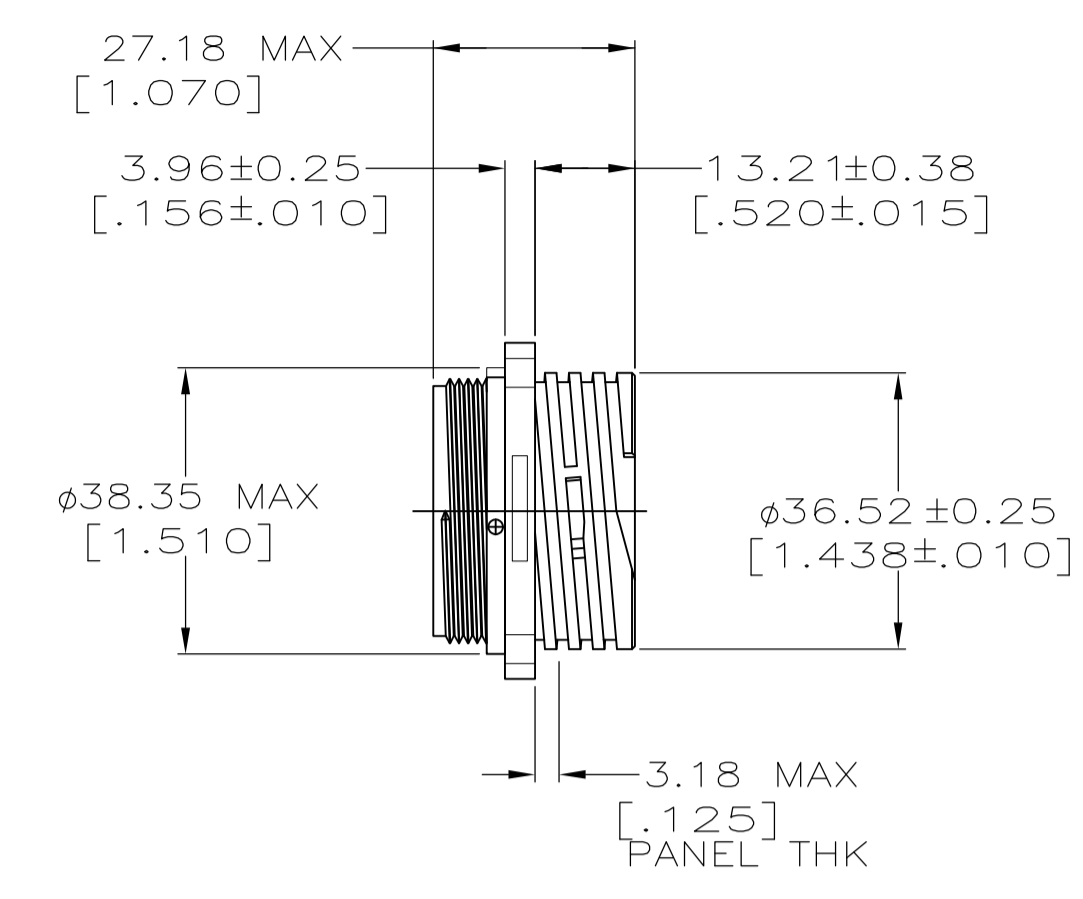
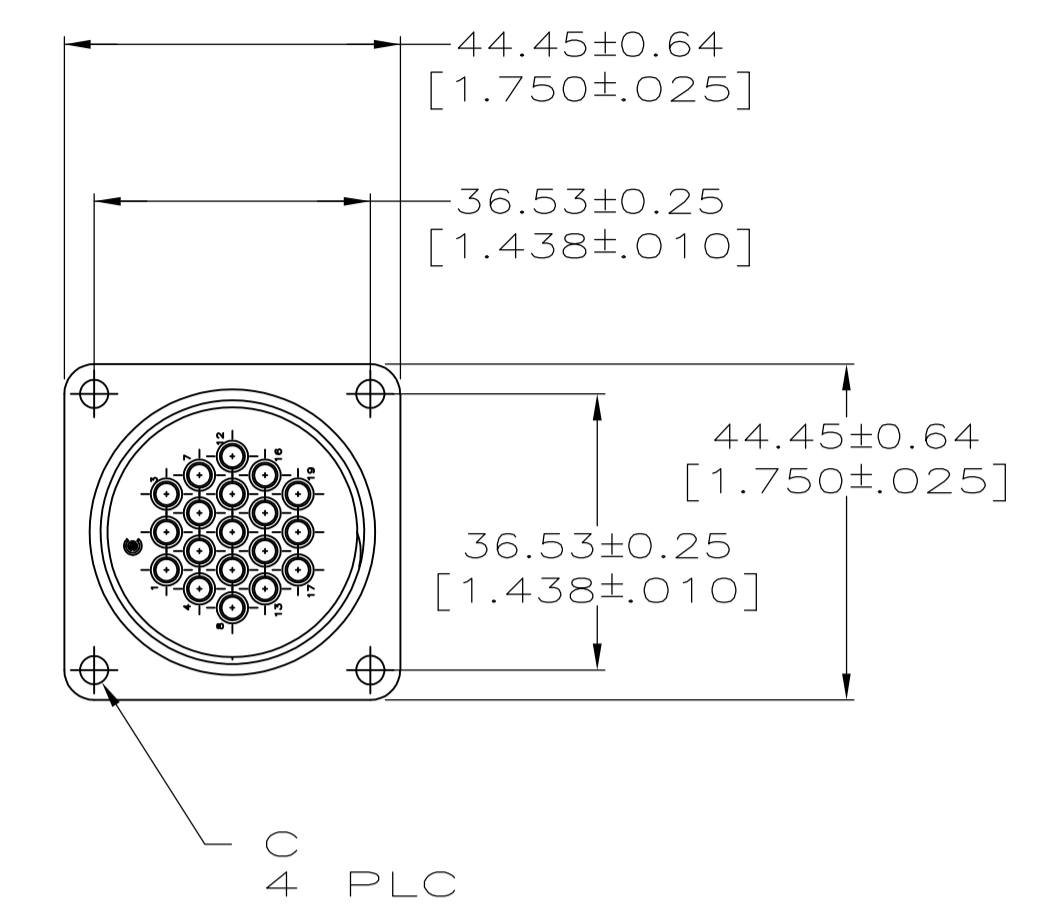
Email & Skype: info@chipsmall.com Web: www.chipsmall.com

Address: A1208, Overseas Decoration Building, #122 Zhenhua RD., Futian, Shenzhen, China



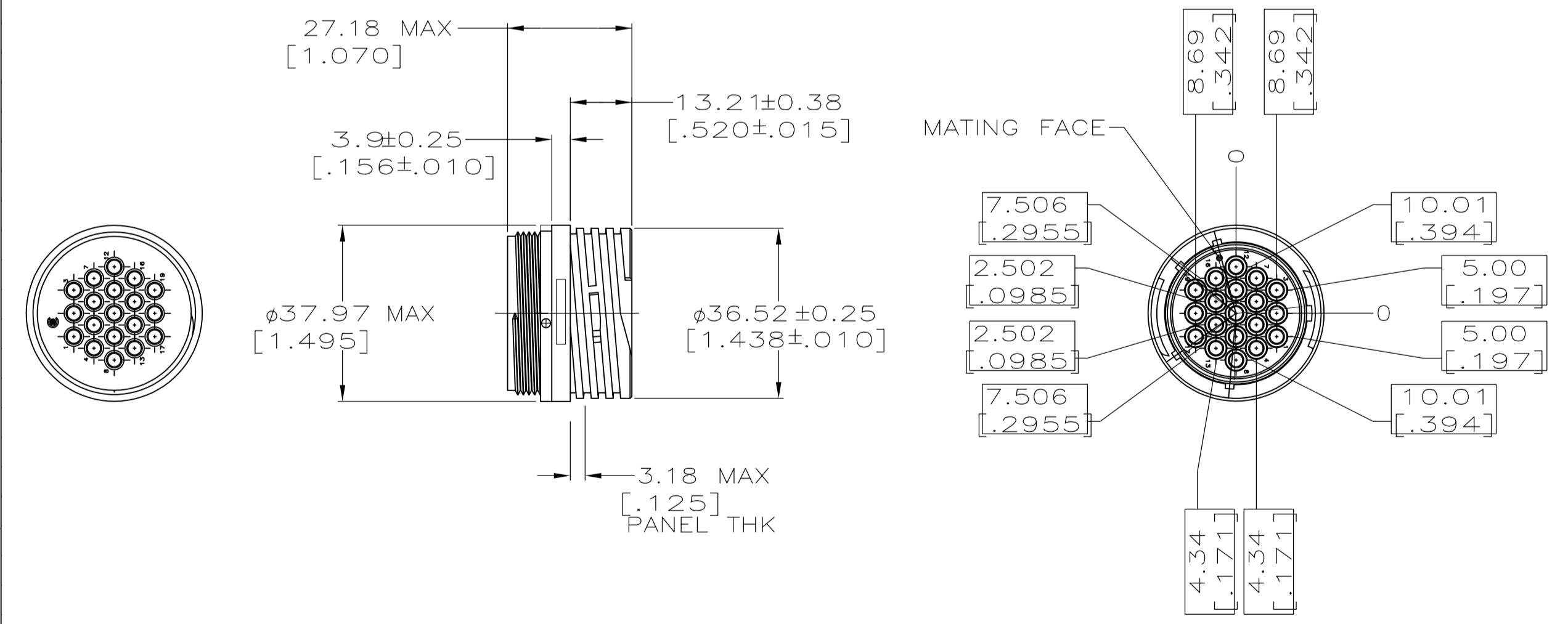
NOTES:

- WILL ACCEPT (19) MULTIMATE SOCKET CONTACTS.
- CONTACT CAVITIES IDENTIFIED BY CHARACTERS ON FRONT AND REAR FACES OF CONNECTOR.
- 3.81[.150] MAX INSULATION DIAMETER.
- 2.54[.100] MAX INSULATION DIAMETER.
- PRELIMINARY PART NUMBER.

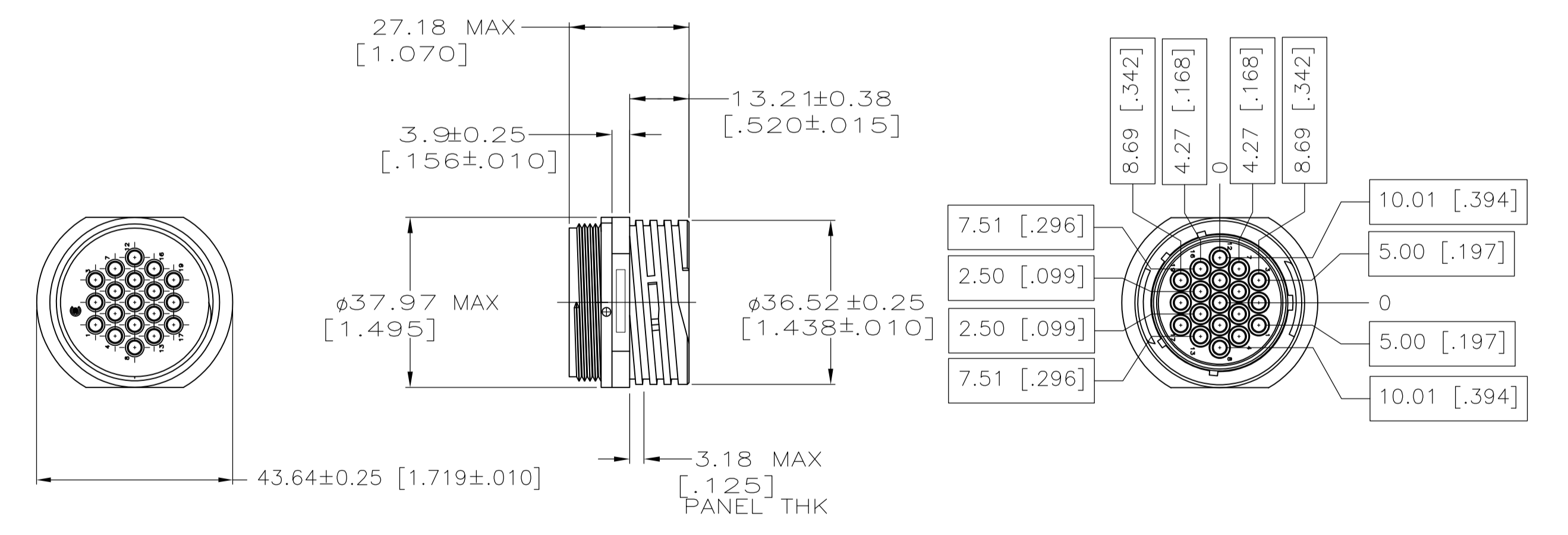


211773-1, 211773-2 & 211773-6

PANEL CUTOUT



211773-4



211773-5

5	4-40 THREADED INSERTS	YES	NORMAL	211773-6
3	-	NO	FREE HANGING	211773-5
3	-	NO	FREE HANGING	211773-4
4	Ø3.81 [.150]	NO	NORMAL	211773-2
3	Ø3.81 [.150]	NO	NORMAL	211773-1
C		PERIPHERAL SEAL	KEYING	PART NUMBER

THIS DRAWING IS A CONTROLLED DOCUMENT.

DIMENSIONS: mm	TOLERANCES UNLESS OTHERWISE SPECIFIED:	0 PLC ± -	1 PLC ± -	2 PLC ± 0.13[.005]	3 PLC ± -	4 PLC ± -	ANGLES ± -
MATERIAL: NYLON, BLACK	FINISH: -	WEIGHT: -	SIZE: A1	CAGE CODE: 00779	DRAWING NO: 211773	RESTRICTED TO: -	CUSTOMER DRAWING

STE TE Connectivity
 RECEPTACLE HOUSING, REVERSE SEX, SERIES 1, SHELL SIZE 23, CPC
 DATE: 02JAN01
 CHK: M CHACO
 APVD: M CHACO
 PRODUCT SPEC: -
 APPLICATION SPEC: -
 SCALE: 1:1 SHEET 1 OF 1 REV G1