



Chipsmall Limited consists of a professional team with an average of over 10 year of expertise in the distribution of electronic components. Based in Hongkong, we have already established firm and mutual-benefit business relationships with customers from,Europe,America and south Asia,supplying obsolete and hard-to-find components to meet their specific needs.

With the principle of “Quality Parts,Customers Priority,Honest Operation,and Considerate Service”,our business mainly focus on the distribution of electronic components. Line cards we deal with include Microchip,ALPS,ROHM,Xilinx,Pulse,ON,Everlight and Freescale. Main products comprise IC,Modules,Potentiometer,IC Socket,Relay,Connector.Our parts cover such applications as commercial,industrial, and automotives areas.

We are looking forward to setting up business relationship with you and hope to provide you with the best service and solution. Let us make a better world for our industry!



Contact us

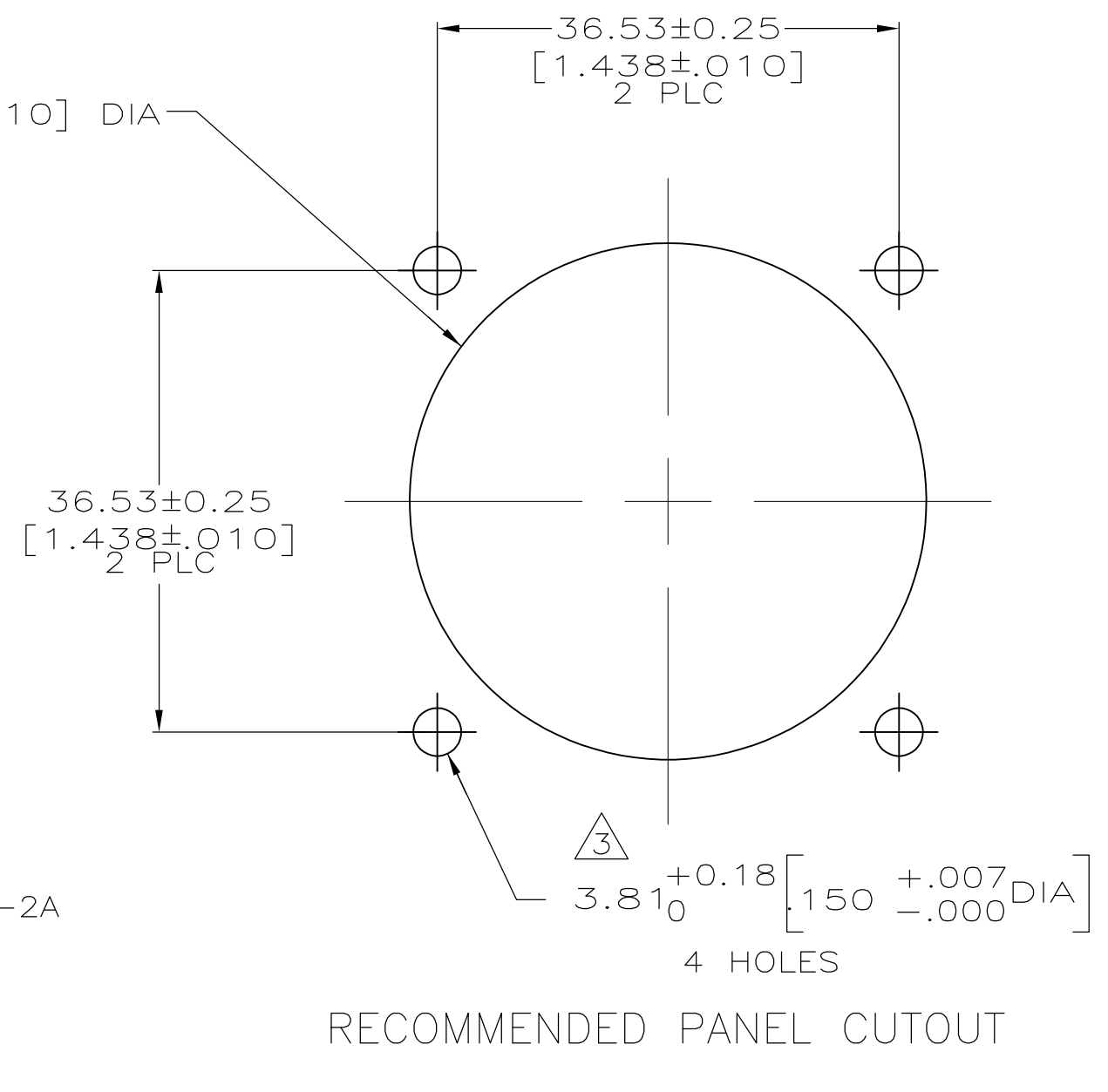
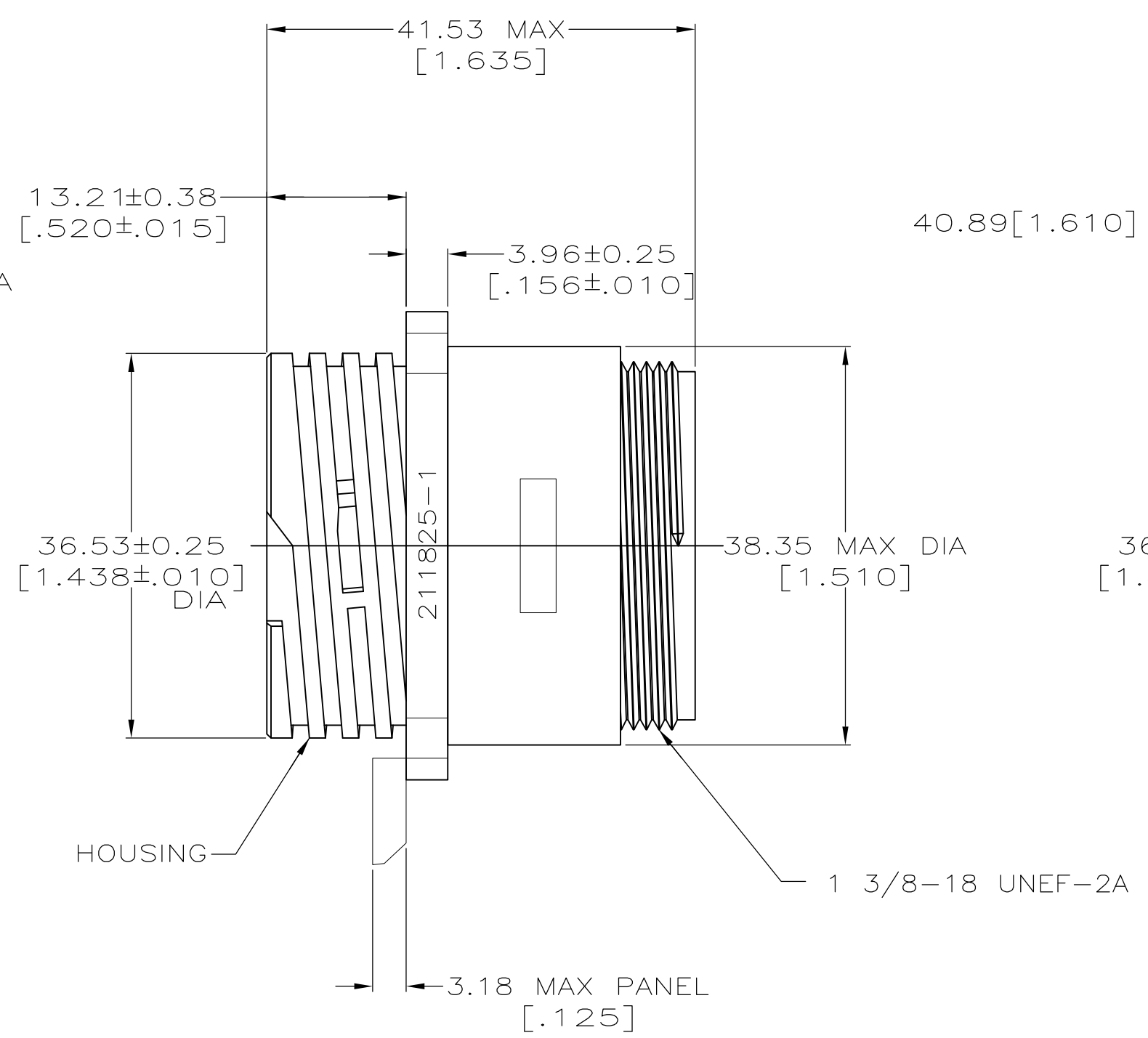
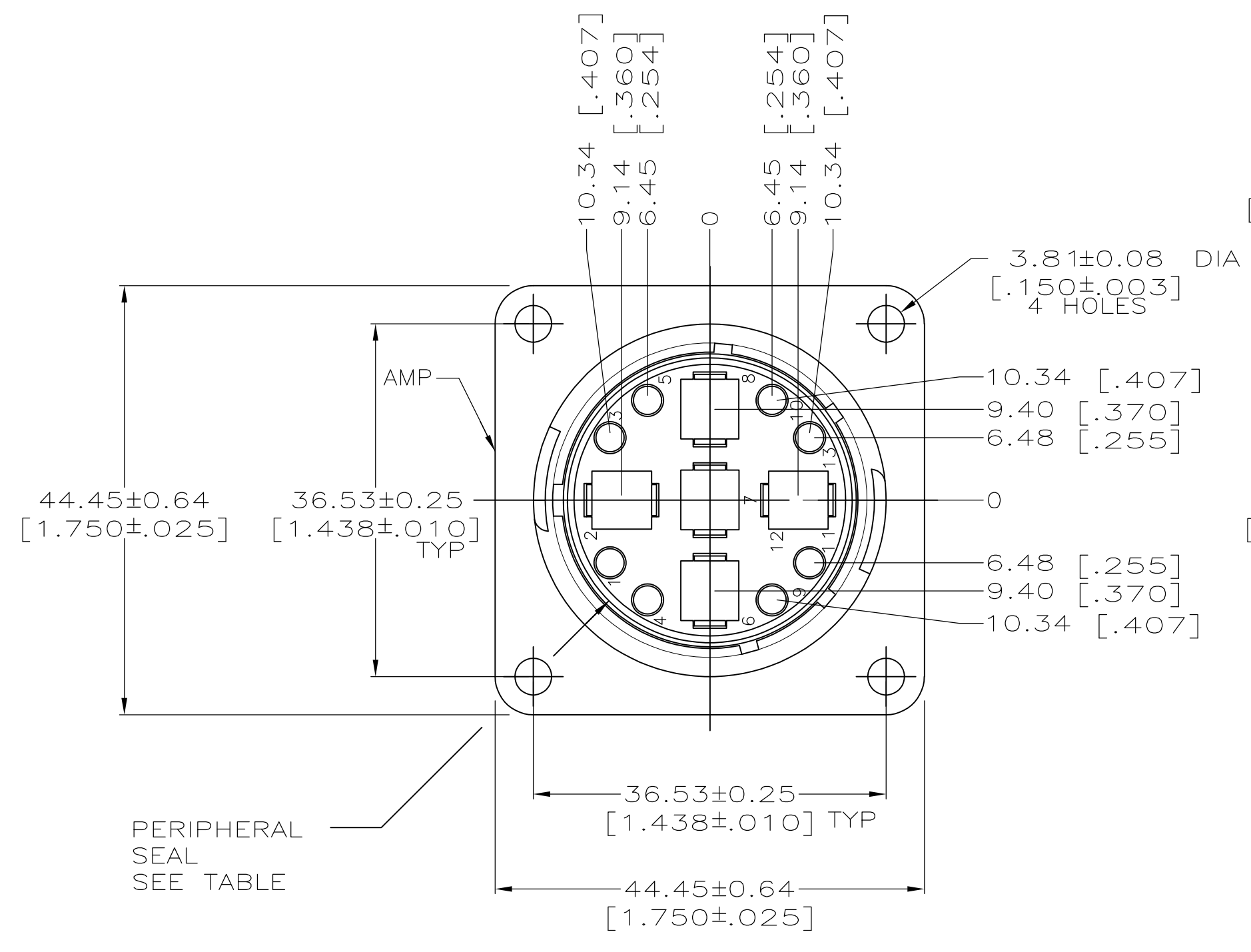
Tel: +86-755-8981 8866 Fax: +86-755-8427 6832

Email & Skype: info@chipsmall.com Web: www.chipsmall.com

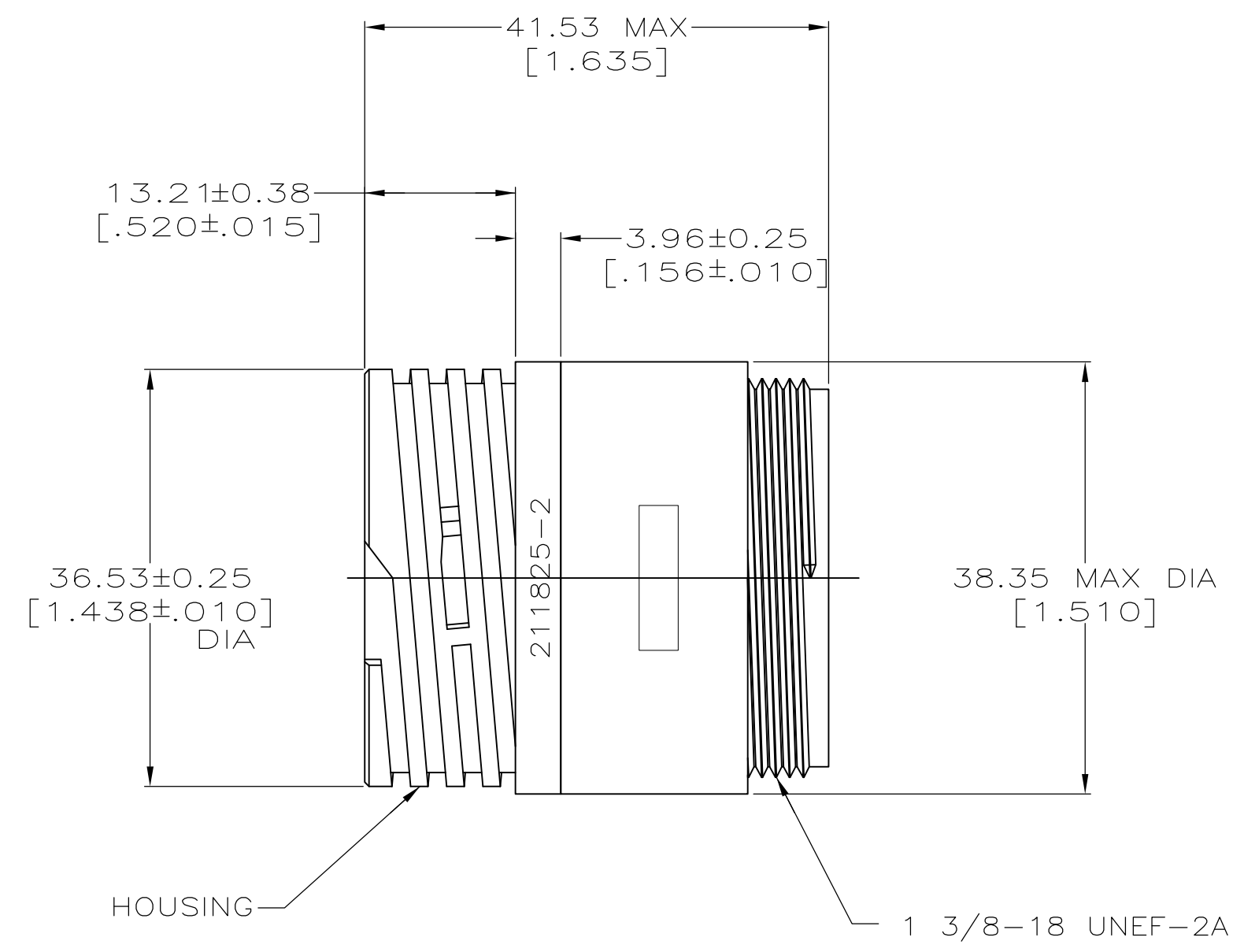
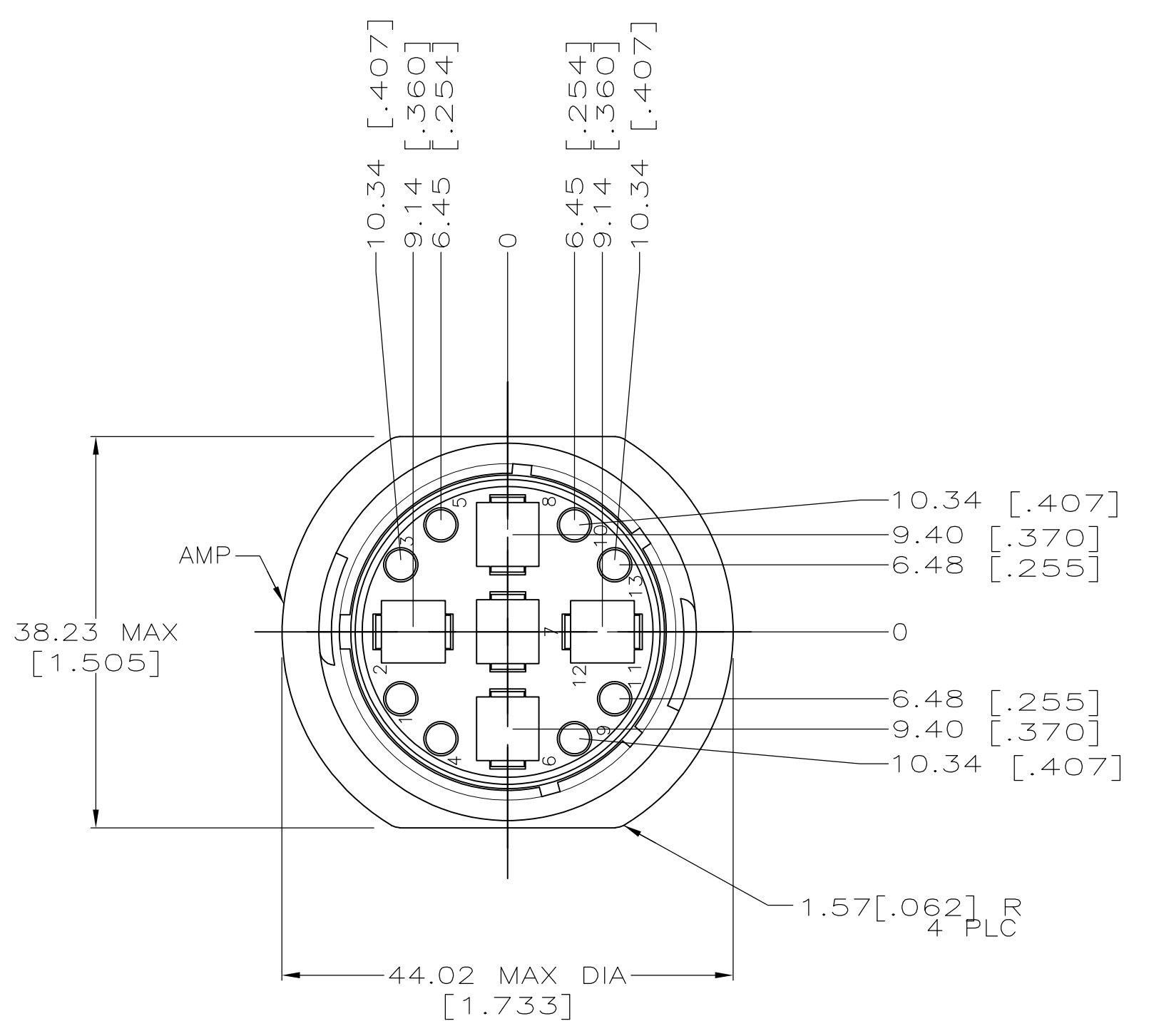
Address: A1208, Overseas Decoration Building, #122 Zhenhua RD., Futian, Shenzhen, China



LOC		DIST		REVISIONS			
BD	35	P	LTR	DESCRIPTION	DATE	DWN	APVD
		E2		REVISED PER ECO-11-005027	14MAR11	RK	HMR



DETAIL A



DETAIL B

1. WILL ACCEPT (8) MULTIMATE PINS AND (5) TYPE XII MALE CONTACTS.
2. CAVITY IDENTIFICATION ON FRONT AND REAR FACE.
3. NO. 4 FASTENERS RECOMMENDED FOR MOUNTING.
4. MAX WIRE INSULATION DIAMETERS:
MULTIMATE: 3.43 [1.135] MAX DIA.
TYPE XII: 5.59 [2.20] MAX DIA.
5. THIS RECEPTACLE MATES WITH PLUG ASSEMBLY 211824-1.
6. OBSOLETE PARTS: OBSOLETE CIS STREAMLINING PER D.RENAUD/D.SINISI

OBSOLETE	YES	A	211825-3
	NO	B	211825-2
	NO	A	211825-1
PERIPHERAL SEAL	SEE DETAIL	PART NUMBER	

THIS DRAWING IS A CONTROLLED DOCUMENT.		DWN: M. RINNER 05/26/94	TE Connectivity
DIMENSIONS: mm [INCHES]		CHK: R. STONE 6-23-94	
		APVD: A. FRANTUM 7-13-94	NAME: RECEPTACLE HOUSING, STANDARD SEX, SHELL SIZE 23, CPC
TOLERANCES UNLESS OTHERWISE SPECIFIED: 0 PLC ± - 2 PLC ± - 3 PLC ± 0.13 [005] 4 PLC ± - ANGLES ± -		PRODUCT SPEC: 108-10024	SIZE: A1
MATERIAL: HOUSING: NYLON, BLACK		FINISH: -	WEIGHT: -
THIS DRAWING IS A CONTROLLED DOCUMENT FOR AMP INCORPORATED. IT IS SUBJECT TO CHANGE AND THE CONTROLLING ENGINEERING ORGANIZATION SHOULD BE CONTACTED FOR THE LATEST REVISION.		CUSTOMER DRAWING	RESTRICTED TO: -
SCALE: 2:1		SHEET: 1 OF 1	REV: E2