



Chipsmall Limited consists of a professional team with an average of over 10 year of expertise in the distribution of electronic components. Based in Hongkong, we have already established firm and mutual-benefit business relationships with customers from,Europe,America and south Asia,supplying obsolete and hard-to-find components to meet their specific needs.

With the principle of “Quality Parts,Customers Priority,Honest Operation,and Considerate Service”,our business mainly focus on the distribution of electronic components. Line cards we deal with include Microchip,ALPS,ROHM,Xilinx,Pulse,ON,Everlight and Freescale. Main products comprise IC,Modules,Potentiometer,IC Socket,Relay,Connector.Our parts cover such applications as commercial,industrial, and automotives areas.

We are looking forward to setting up business relationship with you and hope to provide you with the best service and solution. Let us make a better world for our industry!



Contact us

Tel: +86-755-8981 8866 Fax: +86-755-8427 6832

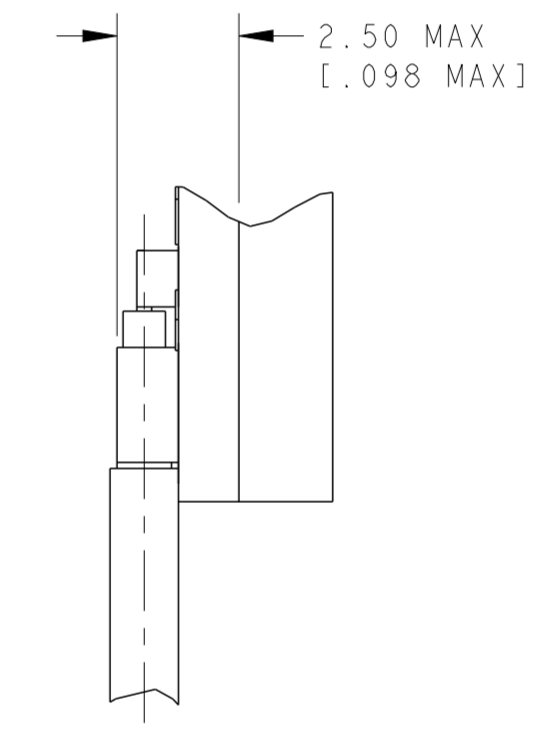
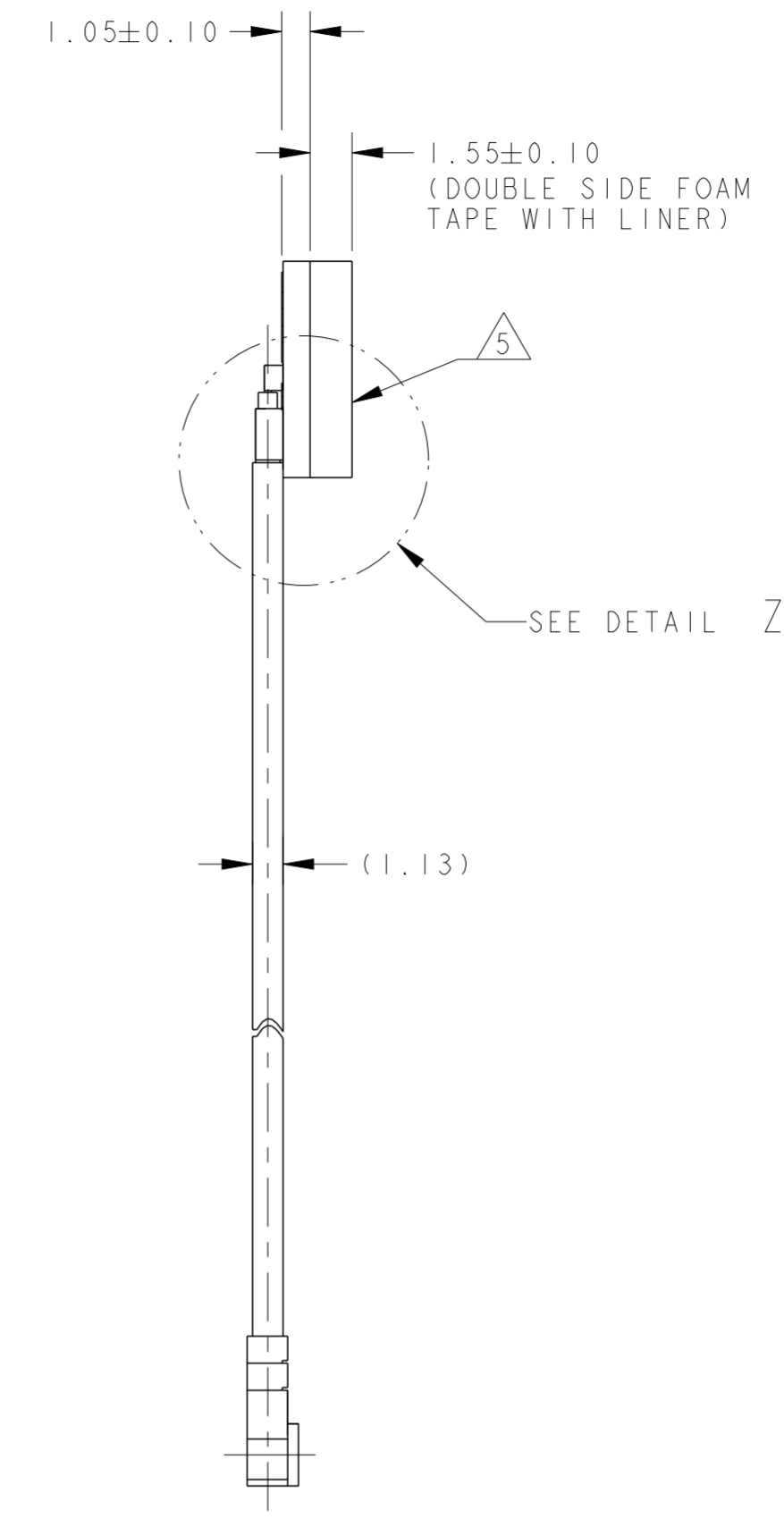
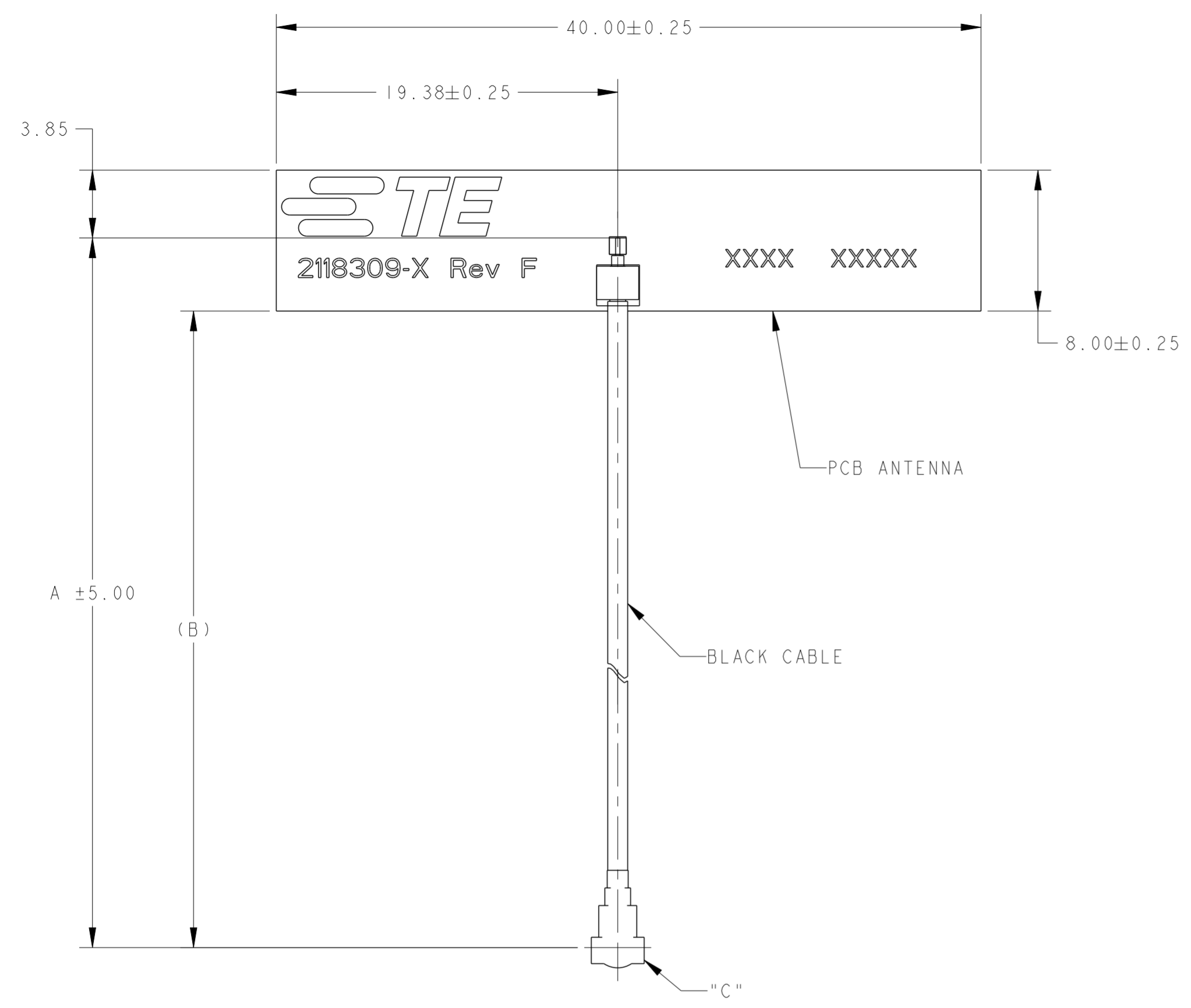
Email & Skype: info@chipsmall.com Web: www.chipsmall.com

Address: A1208, Overseas Decoration Building, #122 Zhenhua RD., Futian, Shenzhen, China



THIS DRAWING IS UNPUBLISHED. RELEASED FOR PUBLICATION 20
 © COPYRIGHT 20 BY TYCO ELECTRONICS CORPORATION ALL RIGHTS RESERVED.

LOC	DIST	REVISIONS			
P	LTR	DESCRIPTION	DATE	DWN	APVD
00	AJ				
	DI	UPDATE CONN TYPE WORDING -1,-2	21OCT2015	JPS	JLKM
	E	REVISED PER ECO-16-005878	13APR2016	JPS	JLM
	F	REVISED PER ECO-17-000307	11JAN2017	AP	JLM



DETAIL Z
 SOLDERING DETAIL
 SCALE 8:1

- ASSEMBLY IS RoHS COMPLIANT.
- MINIMUM IDENTIFICATION INCLUDES:
 TOP LAYER: TE LOGO, TE ASSEMBLY PART NUMBER, ASSEMBLY REVISION LETTER, AND FOUR DIGIT DATE CODE (FIRST 2 DIGITS FOR THE WEEK CODE AND THE 2ND TWO DIGITS FOR THE YEAR CODE).
- MATERIALS: PCB MATERIAL
 TOTAL THICKNESS: 1.05, SINGLE SIDE, 1/2 OUNCE COPPER.
- OVERPLATING: PLATING ON EXPOSED COPPER AREAS TO BE E.N.I.G. FINISH.
- REMOVE LINER FROM DOUBLE SIDED FOAM TAPE 3M VHB RP62 TO APPLY ANTENNA IN APPLICATION.
- PRODUCT PACKAGED IN A BAG.
- CONSULT TE CONNECTIVITY DATA SHEET DS2118309.

MHF	(60.00)	64.15	2118309-8
MHF 4	(370.85)	375.00	2118309-6
	(220.85)	225.00	2118309-5
	(115.85)	120.00	2118309-4
MHF	(45.85)	50.00	2118309-3
	(268.85)	273.00	2118309-2
	(115.85)	120.00	2118309-1
"C" CONNECTOR TYPE	(B)	A	PART NUMBER

THIS DRAWING IS A CONTROLLED DOCUMENT.

DWN	K. FOLTZ	11MAR2013	TE Connectivity
CHK	G. GRIFFITH	11MAR2013	
APVD	G. GRIFFITH	11MAR2013	
PRODUCT SPEC			
APPLICATION SPEC			NAME
WEIGHT			WLAN DUAL BAND ANTENNA, 1.13 CABLE PCB GP INDEPENDENT
CUSTOMER DRAWING	SCALE	4:1	RESTRICTED TO
			-

SIZE: A2 CAGE CODE: 00779 DRAWING NO: 2118309 SHEET 1 OF 1 REV F