



Chipsmall Limited consists of a professional team with an average of over 10 year of expertise in the distribution of electronic components. Based in Hongkong, we have already established firm and mutual-benefit business relationships with customers from,Europe,America and south Asia,supplying obsolete and hard-to-find components to meet their specific needs.

With the principle of “Quality Parts,Customers Priority,Honest Operation,and Considerate Service”,our business mainly focus on the distribution of electronic components. Line cards we deal with include Microchip,ALPS,ROHM,Xilinx,Pulse,ON,Everlight and Freescale. Main products comprise IC,Modules,Potentiometer,IC Socket,Relay,Connector.Our parts cover such applications as commercial,industrial, and automotives areas.

We are looking forward to setting up business relationship with you and hope to provide you with the best service and solution. Let us make a better world for our industry!



Contact us

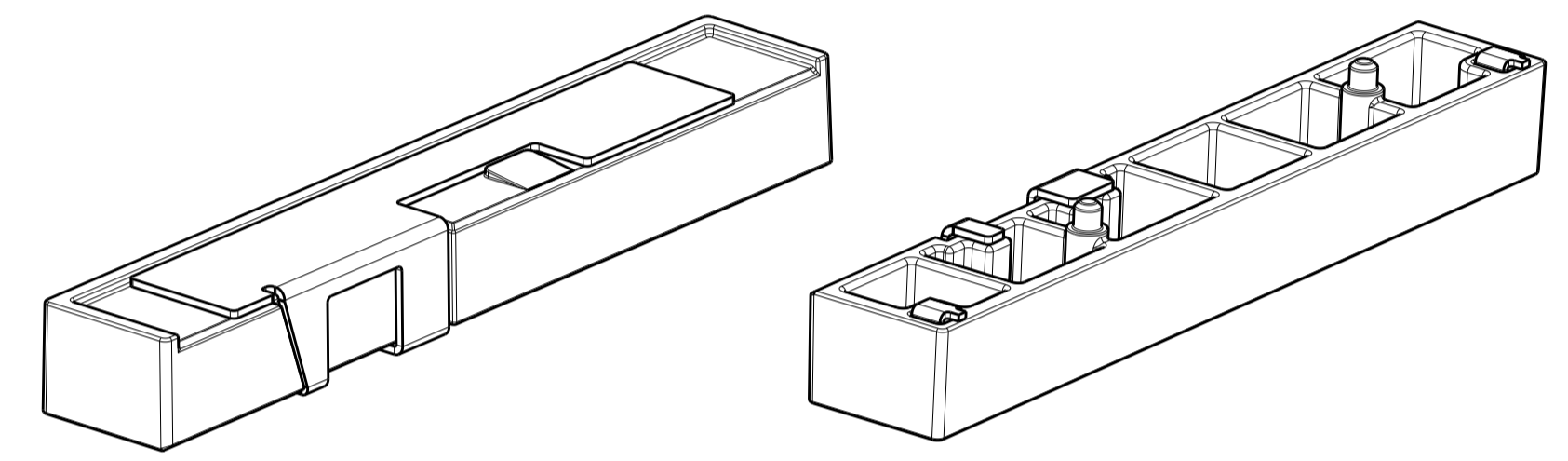
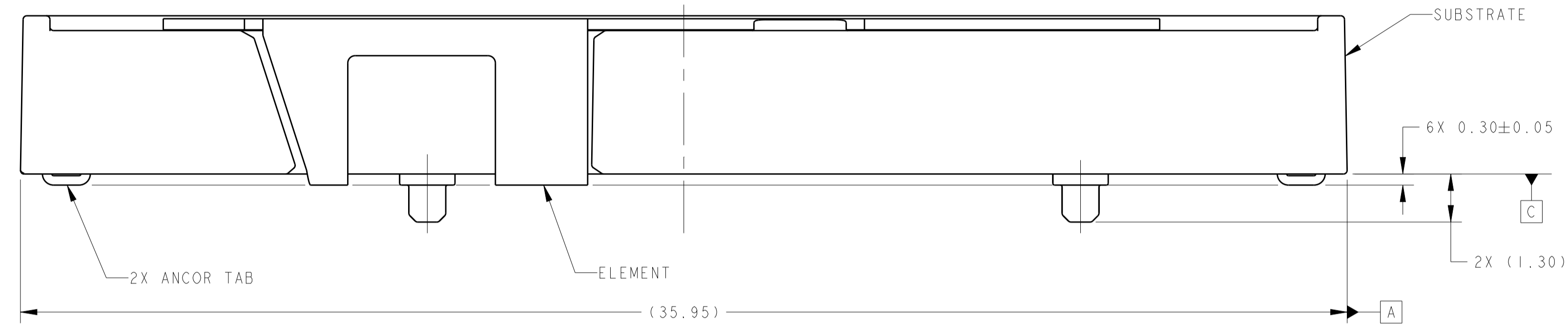
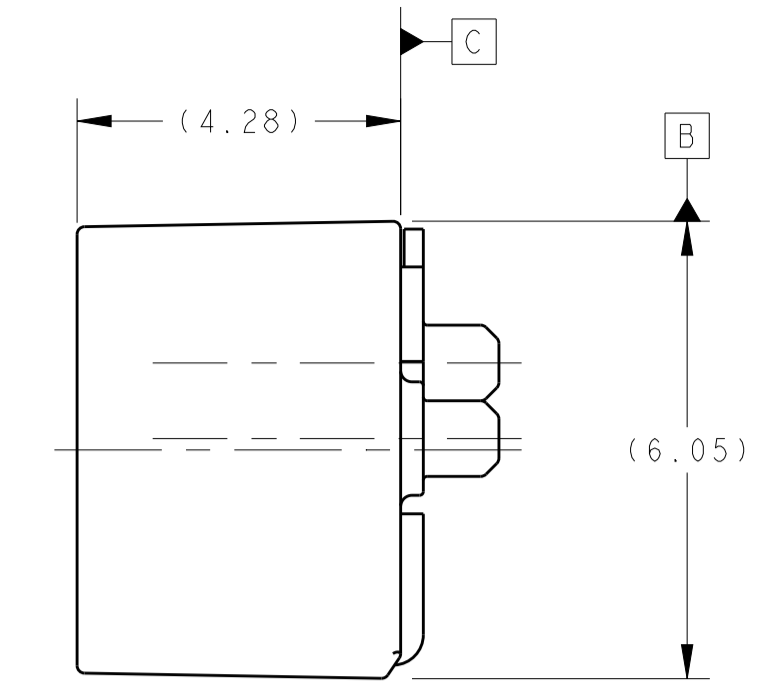
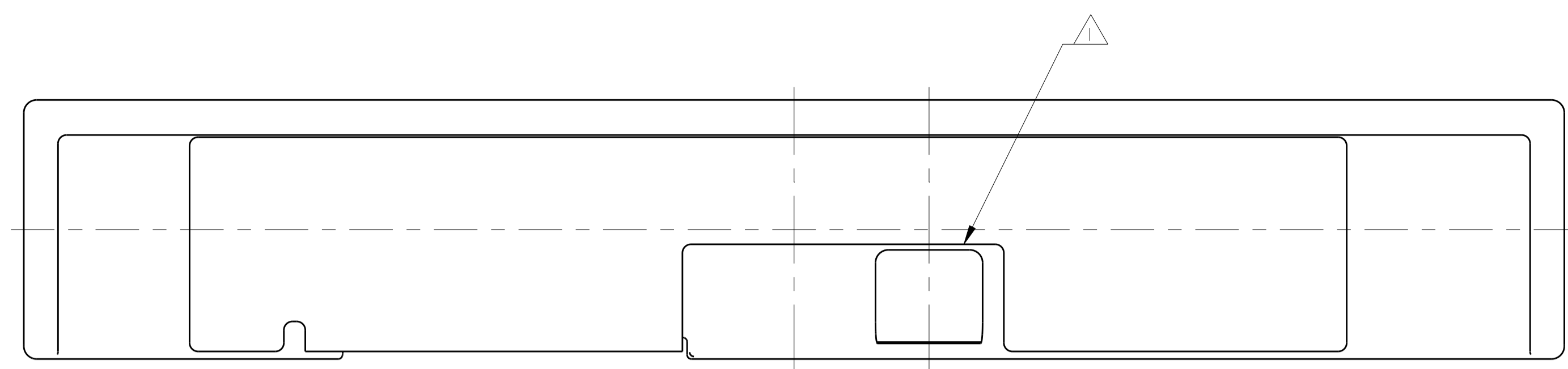
Tel: +86-755-8981 8866 Fax: +86-755-8427 6832

Email & Skype: info@chipsmall.com Web: www.chipsmall.com

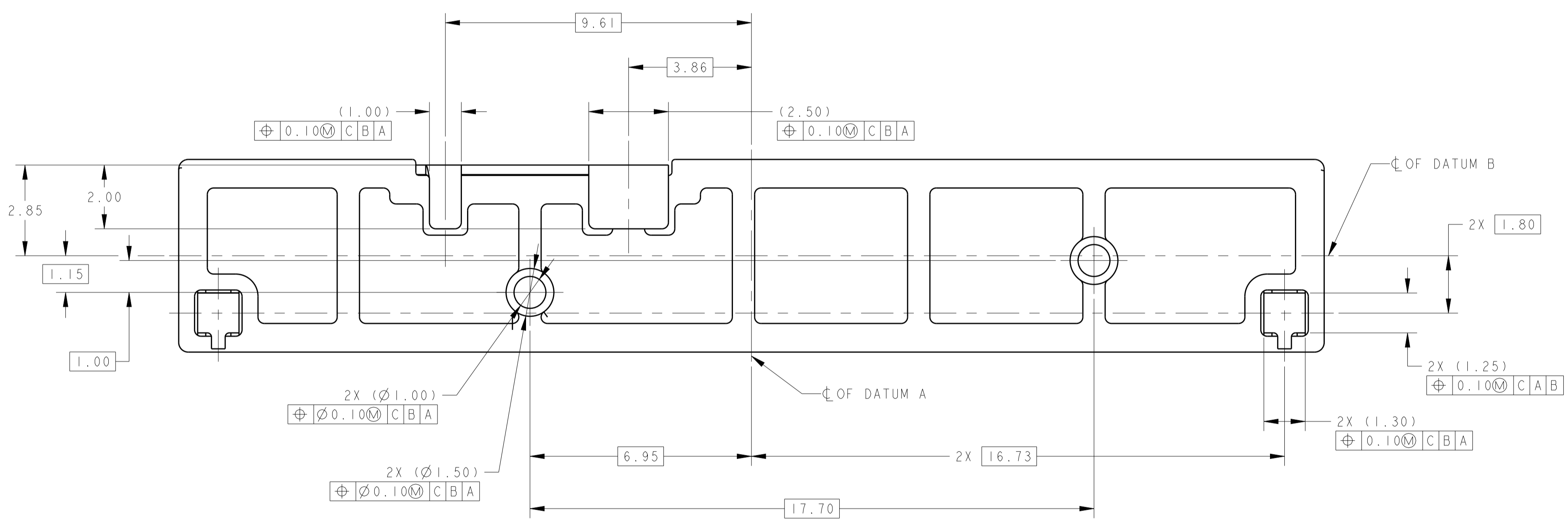
Address: A1208, Overseas Decoration Building, #122 Zhenhua RD., Futian, Shenzhen, China



LOC		DIST		REVISIONS			
P	LTN	DESCRIPTION	DATE	DMN	APVD		
A	J	00					
C		RELEASED PER ECO-14-001751	06FEB2014	KF	JPS		
D		REVISED PER ECO-14-010096	24JUL2014	KF	PG		

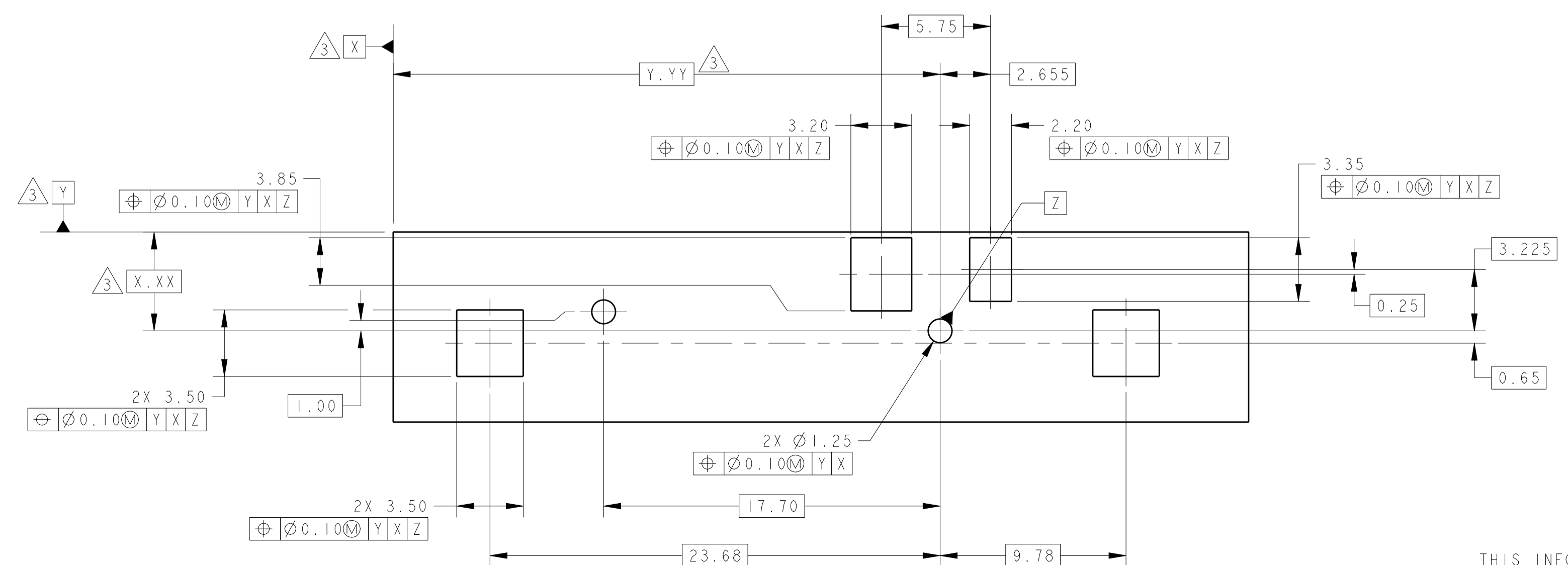


SCALE 4:1



- ASSEMBLY IS RoHS COMPLIANT PER TE CONNECTIVITY STANDARD TEC-138-702.
- MATERIAL:
 SUBSTRATE: THERMOPLASTIC, BLACK.
 ELEMENT: COLD ROLLED STEEL.
 PLATING: TIN OVER NICKEL.

- 3 DIMENSIONS AND DATUMS ESTABLISHED BY CUSTOMER.
- 4 TAPE AND REEL PACKAGING, REFERENCE PACKAGING DETAIL ON SHEET 2.
- 5 TRAY PACKAGING, REFERENCE PACKAGING DETAIL ON SHEET 3.



RECOMMENDED PCB LAYOUT
 SCALE 5:1

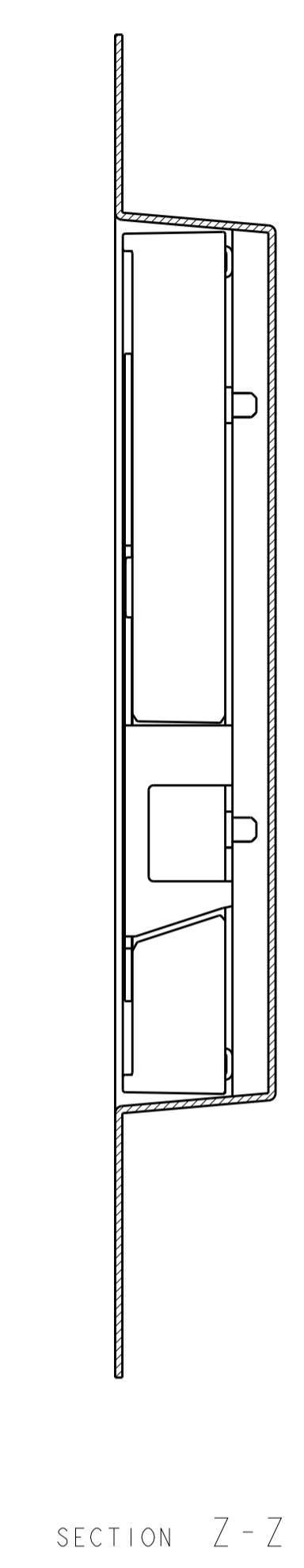
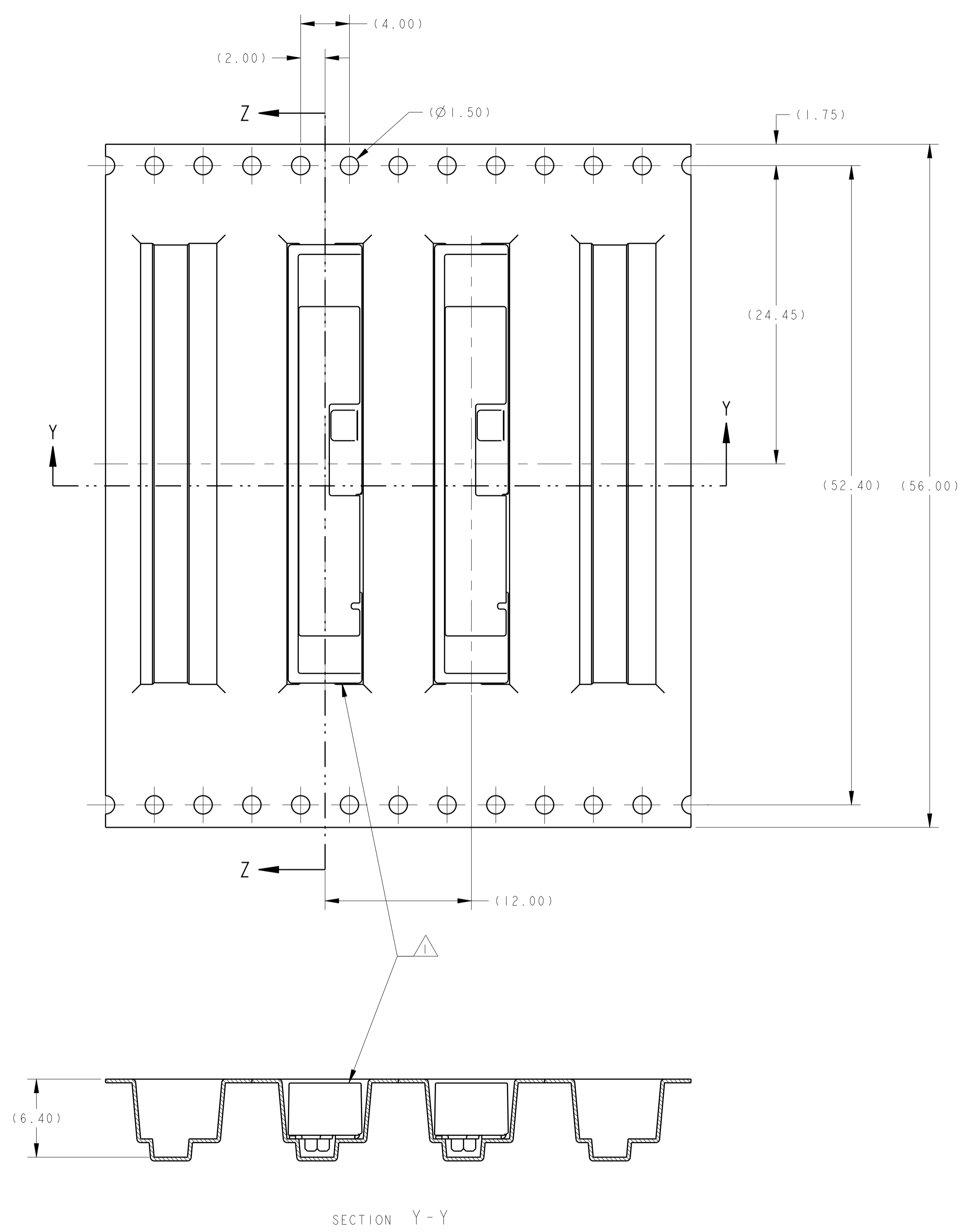
CONFIDENTIAL

THIS INFORMATION IS CONFIDENTIAL AND IS DISCLOSED TO YOU ON CONDITION THAT NO FURTHER DISCLOSURE IS MADE BY YOU TO OTHER THAN TYCO ELECTRONICS PERSONNEL WITHOUT WRITTEN AUTHORIZATION FROM TYCO ELECTRONICS, HARRISBURG, PA.

5	2118315-2
4	2118315-1
PACKAGING	PART NUMBER

THIS DRAWING IS A CONTROLLED DOCUMENT.		DMN R. FOLTZ 11JUN2013	NAME DUAL BAND, WiFi, PIFA 5 GHz, GROUND PLANE DEPENDENT
DIMENSIONS: mm		CHK G. GRIFFITH 11JUN2013	RESTRICTED TO
TOLERANCES UNLESS OTHERWISE SPECIFIED: 0 PLC ± 1 PLC ±0.10 2 PLC ± 3 PLC ± 4 PLC ± ANGLES ±1°		APVD G. GRIFFITH 11JUN2013	PRODUCT SPEC
MATERIAL SEE NOTES		FINISH SEE NOTES	APPLICATION SPEC
WEIGHT		SIZE A100779	CAGE CODE C=2118315
CUSTOMER DRAWING		SCALE 10:1	SHEET 1 OF 3
		REV D	

LOC	DIST	REVISIONS					
		P	LTH	DESCRIPTION	DATE	DWN	APVD
AJ	00	-	-	SEE SHEET 1	-	-	-



SECTION Z-Z

△ ORIENT PARTS AS SHOWN.

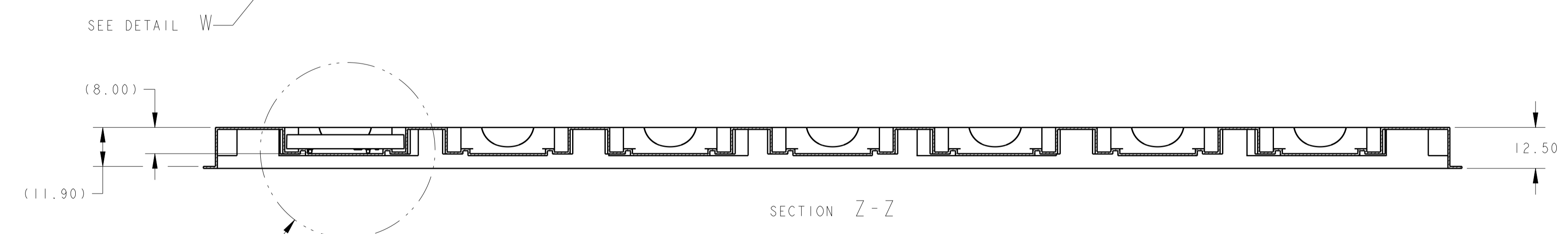
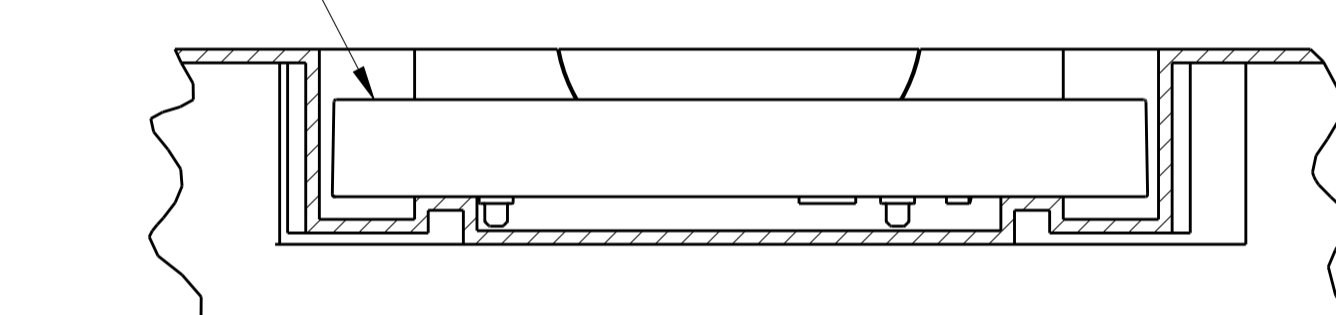
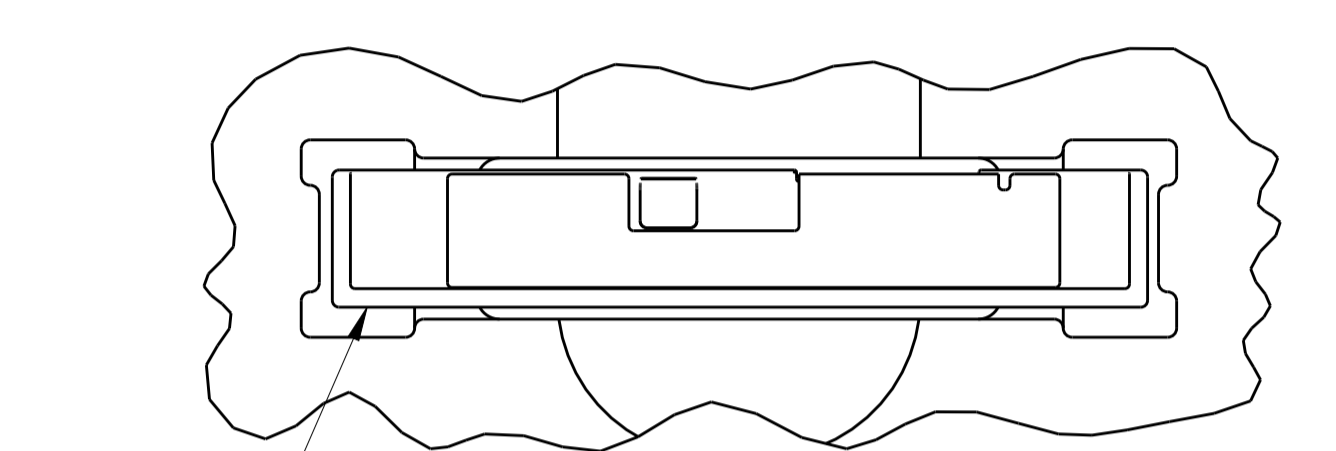
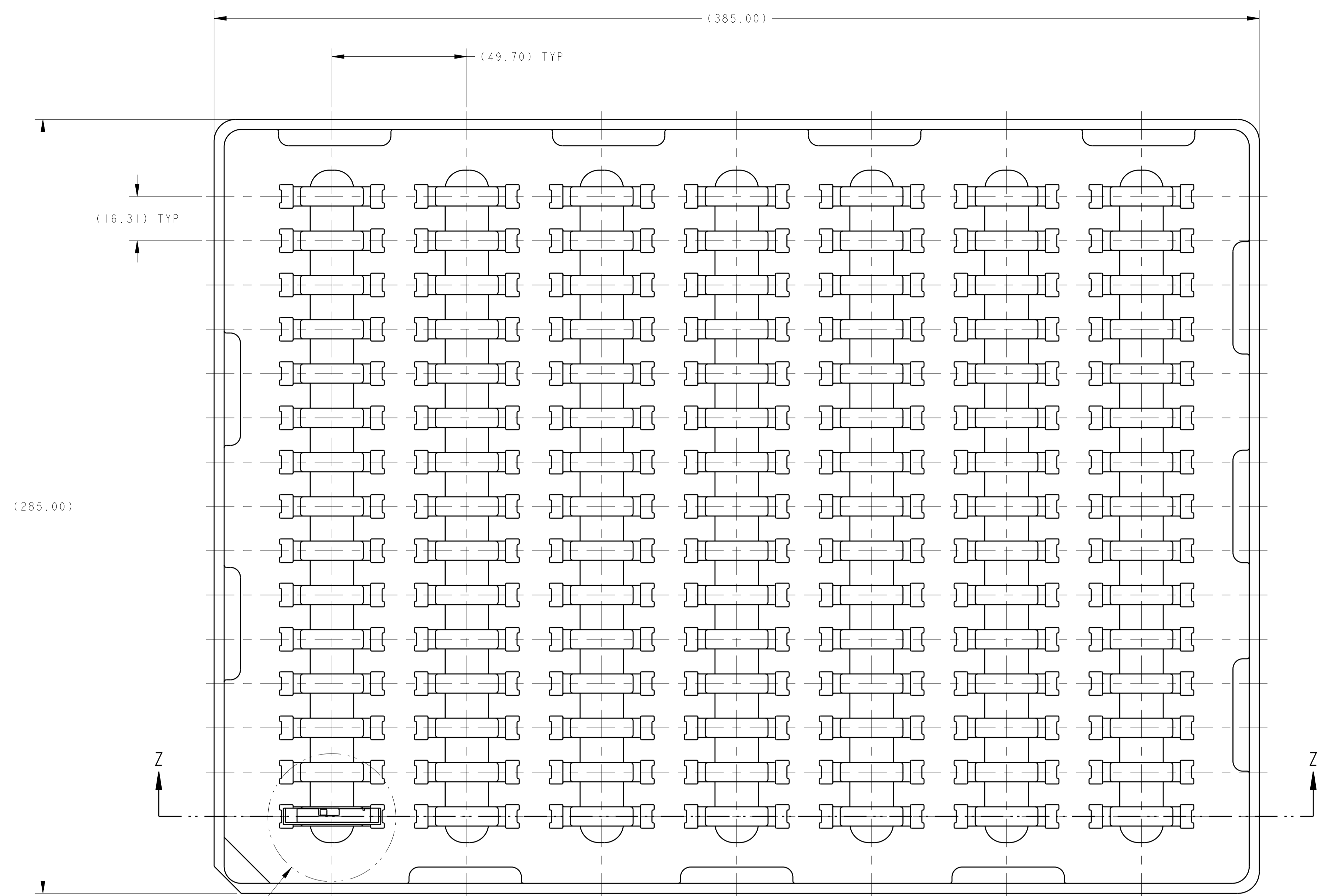
TAPE AND REEL
 PACKAGING DETAIL
 SCALE 4:1

CONFIDENTIAL

THIS INFORMATION IS CONFIDENTIAL AND IS DISCLOSED TO YOU ON CONDITION THAT NO FURTHER DISCLOSURE IS MADE BY YOU TO OTHER THAN TYCO ELECTRONICS PERSONNEL WITHOUT WRITTEN AUTHORIZATION FROM TYCO ELECTRONICS, HARRISBURG, PA.

THIS DRAWING IS A CONTROLLED DOCUMENT.		DWN R. FOLTZ 11JUN2013	TE Connectivity
DIMENSIONS: mm		CHK G. GRIFFITH 11JUN2013	
TOLERANCES UNLESS OTHERWISE SPECIFIED:		APVD G. GRIFFITH 11JUN2013	NAME DUAL BAND, WiFi, PIFA 5 GHz, GROUND PLANE DEPENDENT
0 PLC ±	1 PLC ±0.10	PRODUCT SPEC	SIZE A100779C=2118315
2 PLC ±	3 PLC ±	APPLICATION SPEC	RESTRICTED TO
4 PLC ±	ANGLES ±1°	WEIGHT	SCALE 10:1 SHEET 2 OF 3 REV D
MATERIAL SEE NOTES	FINISH SEE NOTES	CUSTOMER DRAWING	

LOC		DIST		REVISIONS			
P	LTN	DESCRIPTION	DATE	DWN	APVD		
-	-	SEE SHEET 1	-	-	-		



TRAY PACKAGING DETAIL
SCALE 1:1

ORIENT PARTS AS SHOWN.

CONFIDENTIAL

THIS INFORMATION IS CONFIDENTIAL AND IS DISCLOSED TO YOU ON CONDITION THAT NO FURTHER DISCLOSURE IS MADE BY YOU TO OTHER THAN TYCO ELECTRONICS PERSONNEL WITHOUT WRITTEN AUTHORIZATION FROM TYCO ELECTRONICS, HARRISBURG, PA.

THIS DRAWING IS A CONTROLLED DOCUMENT.		DWN R. FOLTZ 11JUN2013	TE Connectivity
DIMENSIONS: mm		CHK G. GRIFFITH 11JUN2013	
TOLERANCES UNLESS OTHERWISE SPECIFIED:		APVD G. GRIFFITH 11JUN2013	NAME DUAL BAND, WiFi, PIFA 5 GHz, GROUND PLANE DEPENDENT
0 PLC ± 1 PLC ±0.10 2 PLC ± 3 PLC ± 4 PLC ± ANGLES ±1°		PRODUCT SPEC	SIZE A100779C=2118315
MATERIAL SEE NOTES		APPLICATION SPEC	RESTRICTED TO
FINISH SEE NOTES		WEIGHT	SCALE 10:1 SHEET 3 OF 3 REV D
		CUSTOMER DRAWING	