



Chipsmall Limited consists of a professional team with an average of over 10 year of expertise in the distribution of electronic components. Based in Hongkong, we have already established firm and mutual-benefit business relationships with customers from,Europe,America and south Asia,supplying obsolete and hard-to-find components to meet their specific needs.

With the principle of “Quality Parts,Customers Priority,Honest Operation,and Considerate Service”,our business mainly focus on the distribution of electronic components. Line cards we deal with include Microchip,ALPS,ROHM,Xilinx,Pulse,ON,Everlight and Freescale. Main products comprise IC,Modules,Potentiometer,IC Socket,Relay,Connector.Our parts cover such applications as commercial,industrial, and automotives areas.

We are looking forward to setting up business relationship with you and hope to provide you with the best service and solution. Let us make a better world for our industry!



Contact us

Tel: +86-755-8981 8866 Fax: +86-755-8427 6832

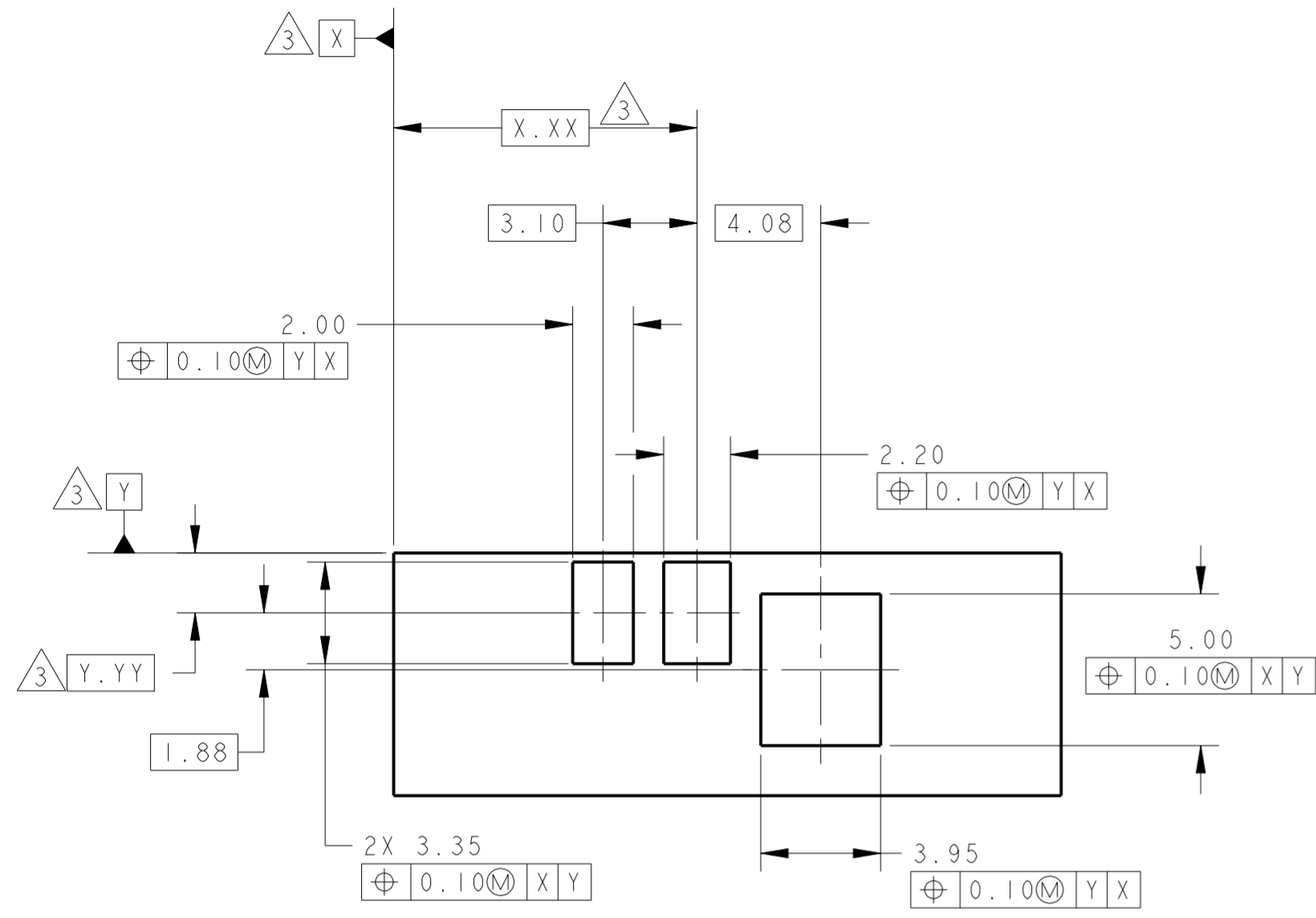
Email & Skype: info@chipsmall.com Web: www.chipsmall.com

Address: A1208, Overseas Decoration Building, #122 Zhenhua RD., Futian, Shenzhen, China

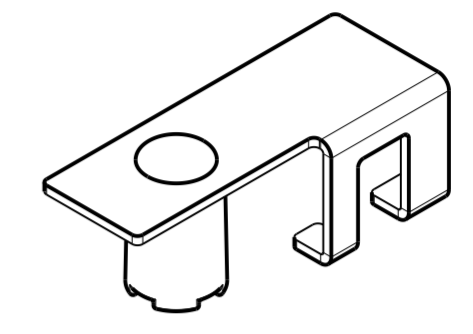
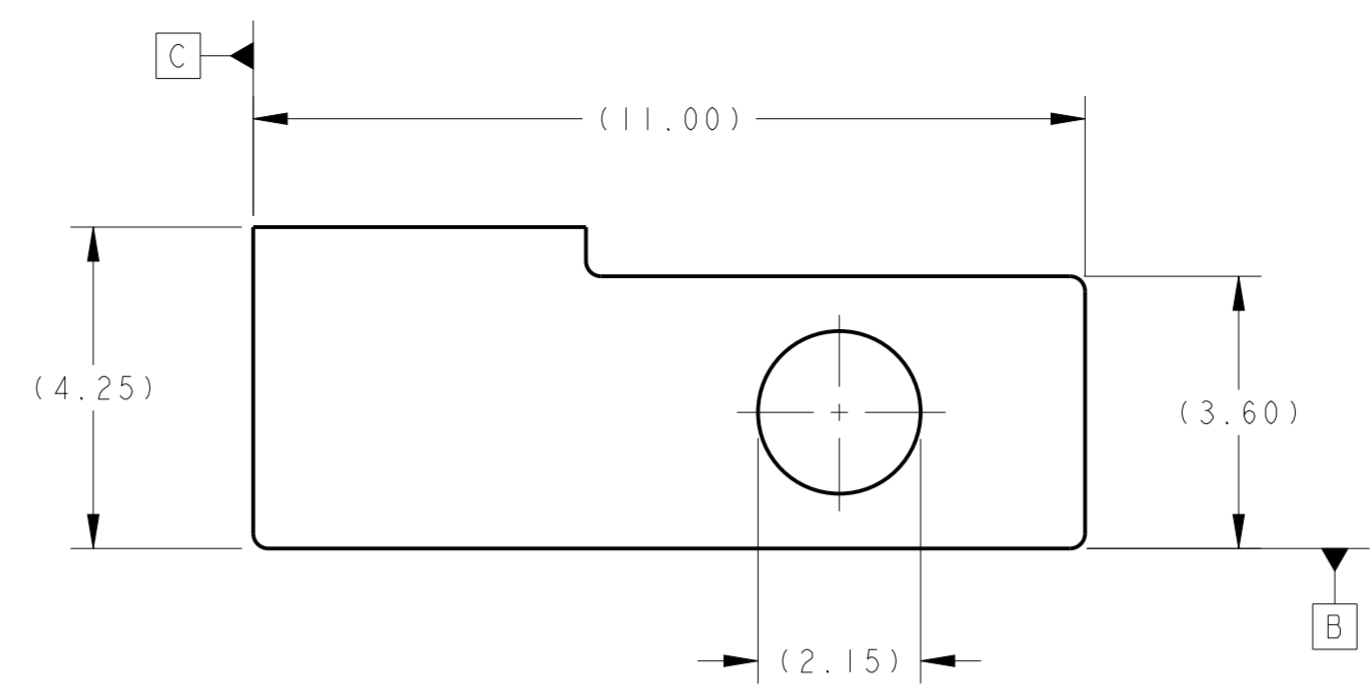


THIS DRAWING IS UNPUBLISHED. RELEASED FOR PUBLICATION 20
 © COPYRIGHT 20 BY TYCO ELECTRONICS CORPORATION ALL RIGHTS RESERVED.

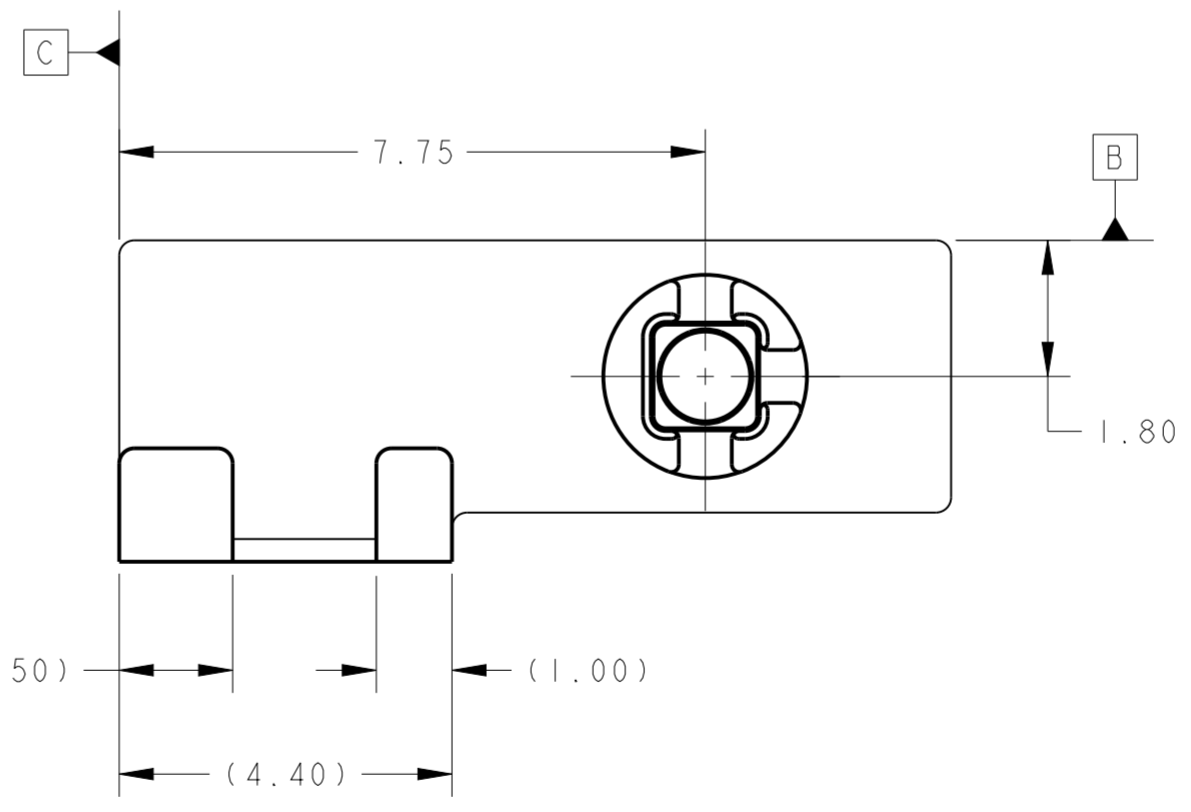
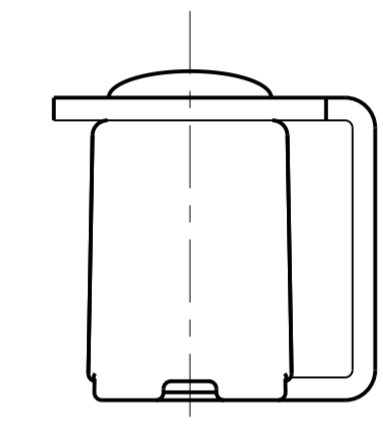
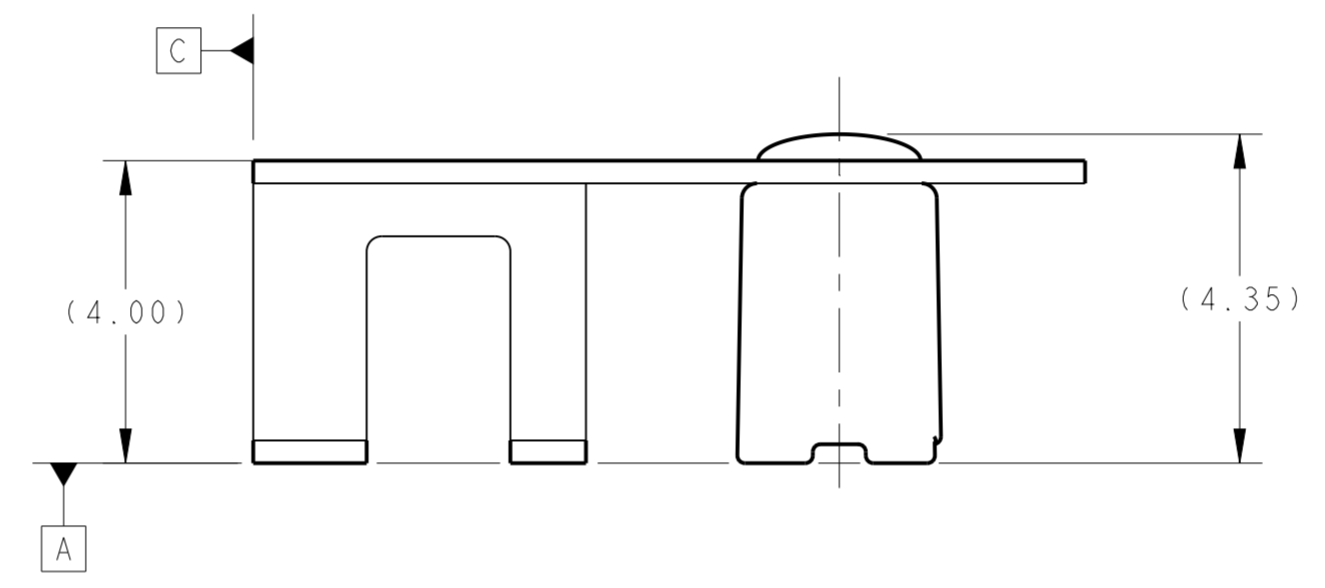
LOC	DIST	REVISIONS			
P	LTR	DESCRIPTION	DATE	DWN	APVD
		C	RELEASED PER ECO-14-001751	07FEB2014	KF JPS
		D	REVISED PER ECO-14-010096	24JUL2014	KF PG



RECOMMENDED PCB LAYOUT
SCALE 5:1



SCALE 5:1



- ASSEMBLY IS RoHS COMPLIANT PER TE CONNECTIVITY STANDARD TEC-138-702.
 - MATERIAL:
 STAND-OFF: THERMOPLASTIC, BLACK.
 ELEMENT: COLD ROLLED STEEL.
 PLATING: TIN OVER NICKEL.
- 3 DIMENSIONS AND DATUMS ESTABLISHED BY CUSTOMER.
 4 TAPE AND REEL PACKAGING, REFERENCE PACKAGING DETAIL ON SHEET 2.
 5 TRAY PACKAGING, REFERENCE PACKAGING DETAIL ON SHEET 3.

5	2118316-2
4	2118316-1
PACKAGING	PART NUMBER

CONFIDENTIAL

THIS INFORMATION IS CONFIDENTIAL AND IS DISCLOSED TO YOU ON CONDITION THAT NO FURTHER DISCLOSURE IS MADE BY YOU TO OTHER THAN TYCO ELECTRONICS PERSONNEL WITHOUT WRITTEN AUTHORIZATION FROM TYCO ELECTRONICS, HARRISBURG, PA.

THIS DRAWING IS A CONTROLLED DOCUMENT.		DWN K. FOLTZ 06 JUN 2013	TE Connectivity	
DIMENSIONS: mm		CHK G. GRIFFITH 06 JUN 2013		
TOLERANCES UNLESS OTHERWISE SPECIFIED:		APVD G. GRIFFITH 06 JUN 2013	NAME SINGLE BAND, PIFA 5 GHz, GROUND PLANE DEPENDENT	
0 PLC ± 1 PLC ± 2 PLC ±0.10 3 PLC ± 4 PLC ±		PRODUCT SPEC -	SIZE A200779	
MATERIAL -		APPLICATION SPEC -	CAGE CODE C-2118316	RESTRICTED TO -
ANGLES ±1° FINISH		WEIGHT -	DRAWING NO C-2118316	SCALE 10:1
-		CUSTOMER DRAWING	SHEET 1	OF 3
			REV D	

4

3

2

1

THIS DRAWING IS UNPUBLISHED. RELEASED FOR PUBLICATION 20
 © COPYRIGHT 20 BY TYCO ELECTRONICS CORPORATION ALL RIGHTS RESERVED.

LOC	DIST	REVISIONS			
P	LTR	DESCRIPTION	DATE	DWN	APVD
AJ	00	-	SEE SHEET 1	-	-

SECTION Z-Z

△ ORIENT PARTS AS SHOWN.

TAPE AND REEL
 PACKAGING DETAIL
 SCALE 4:1

CONFIDENTIAL

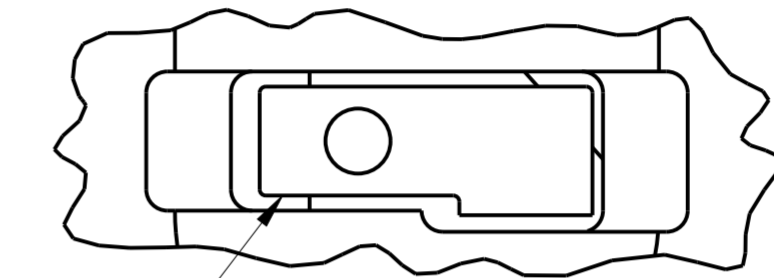
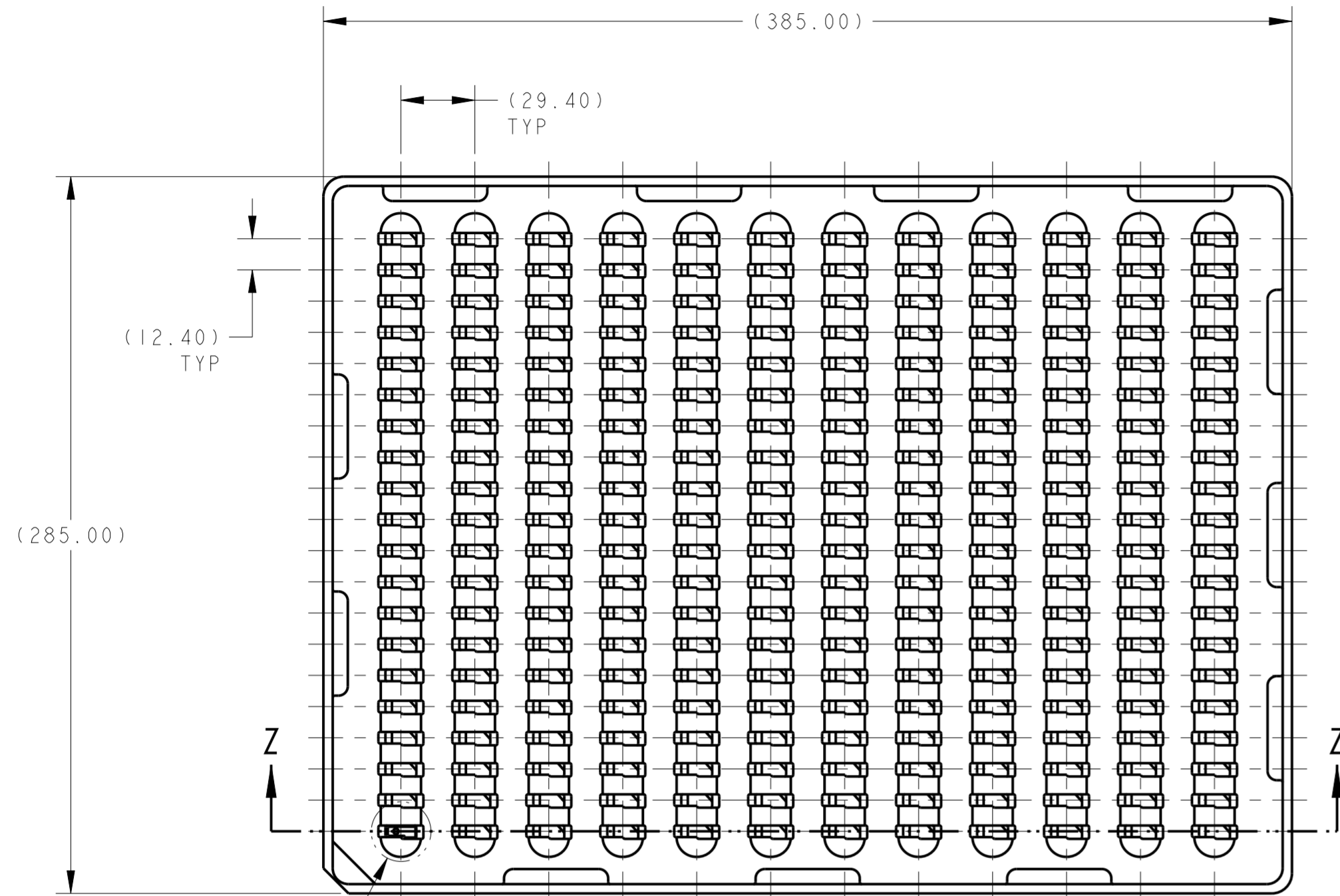
THIS INFORMATION IS CONFIDENTIAL AND IS DISCLOSED TO YOU ON CONDITION THAT NO FURTHER DISCLOSURE IS MADE BY YOU TO OTHER THAN TYCO ELECTRONICS PERSONNEL WITHOUT WRITTEN AUTHORIZATION FROM TYCO ELECTRONICS, HARRISBURG, PA.

THIS DRAWING IS A CONTROLLED DOCUMENT.		DWN K. FOLTZ 06 JUN 2013	TE Connectivity	
DIMENSIONS: mm		CHK G. GRIFFITH 06 JUN 2013		
TOLERANCES UNLESS OTHERWISE SPECIFIED:		APVD G. GRIFFITH 06 JUN 2013	NAME SINGLE BAND, PIFA 5 GHz, GROUND PLANE DEPENDENT	
0 PLC ± 1 PLC ± 2 PLC ±0.10 3 PLC ± 4 PLC ± ANGLES ±1° FINISH		PRODUCT SPEC -	SIZE A200779	CAGE CODE C-2118316
MATERIAL -		APPLICATION SPEC -	DRAWING NO C-2118316	RESTRICTED TO -
		WEIGHT -	SCALE 10:1	SHEET 2 OF 3
		CUSTOMER DRAWING	REV D	

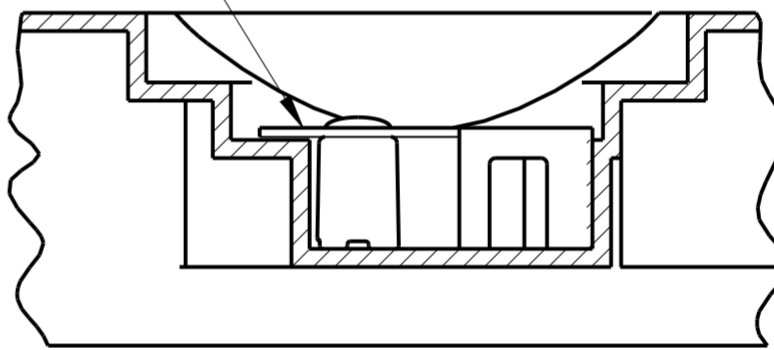
1471-9 (3/11)

THIS DRAWING IS UNPUBLISHED. RELEASED FOR PUBLICATION 20
 © COPYRIGHT 20 BY TYCO ELECTRONICS CORPORATION ALL RIGHTS RESERVED.

LOC	DIST	REVISIONS			
P	LTR	DESCRIPTION	DATE	DWN	APVD
AJ	00	SEE SHEET 1	-	-	-

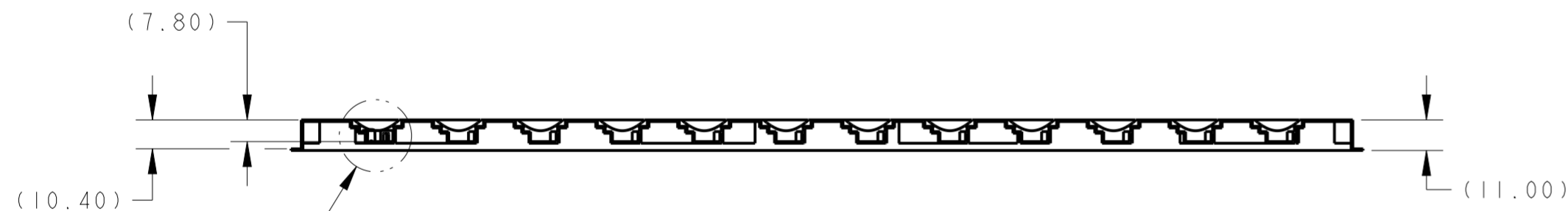


DETAIL W
SCALE 4:1



DETAIL Y
SCALE 4:1

SEE DETAIL W



SECTION Z-Z

SEE DETAIL Y

TRAY PACKAGING DETAIL
SCALE 1:2

△ ORIENT PARTS AS SHOWN.

CONFIDENTIAL

THIS INFORMATION IS CONFIDENTIAL AND IS DISCLOSED TO YOU ON CONDITION THAT NO FURTHER DISCLOSURE IS MADE BY YOU TO OTHER THAN TYCO ELECTRONICS PERSONNEL WITHOUT WRITTEN AUTHORIZATION FROM TYCO ELECTRONICS, HARRISBURG, PA.

THIS DRAWING IS A CONTROLLED DOCUMENT.		DWN K. FOLTZ 06 JUN 2013	TE Connectivity	
DIMENSIONS: mm		CHK G. GRIFFITH 06 JUN 2013		
TOLERANCES UNLESS OTHERWISE SPECIFIED:		APVD G. GRIFFITH 06 JUN 2013	NAME SINGLE BAND, PIFA 5 GHz, GROUND PLANE DEPENDENT	
0 PLC ± 1 PLC ± 2 PLC ±0.10 3 PLC ± 4 PLC ± ANGLES ±1°0' FINISH		PRODUCT SPEC -	SIZE A200779	DRAWING NO C-2118316
MATERIAL -		APPLICATION SPEC -	RESTRICTED TO -	SCALE 10:1
		WEIGHT -	SHEET 3 OF 3	REV D
		CUSTOMER DRAWING		