



Chipsmall Limited consists of a professional team with an average of over 10 year of expertise in the distribution of electronic components. Based in Hongkong, we have already established firm and mutual-benefit business relationships with customers from,Europe,America and south Asia,supplying obsolete and hard-to-find components to meet their specific needs.

With the principle of “Quality Parts,Customers Priority,Honest Operation,and Considerate Service”,our business mainly focus on the distribution of electronic components. Line cards we deal with include Microchip,ALPS,ROHM,Xilinx,Pulse,ON,Everlight and Freescale. Main products comprise IC,Modules,Potentiometer,IC Socket,Relay,Connector.Our parts cover such applications as commercial,industrial, and automotives areas.

We are looking forward to setting up business relationship with you and hope to provide you with the best service and solution. Let us make a better world for our industry!



Contact us

Tel: +86-755-8981 8866 Fax: +86-755-8427 6832

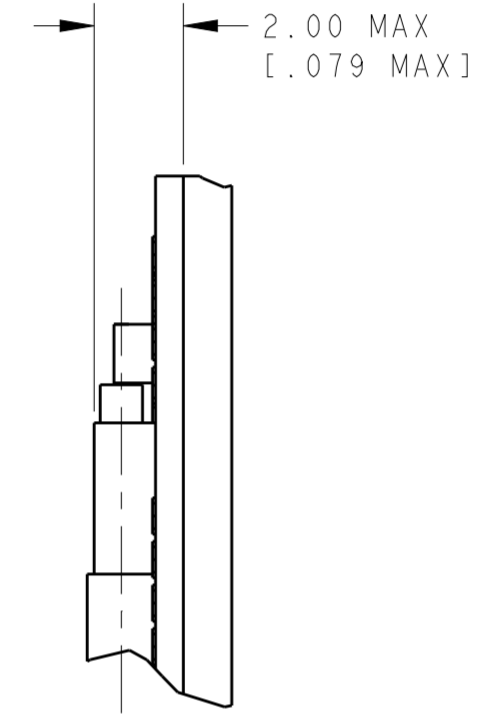
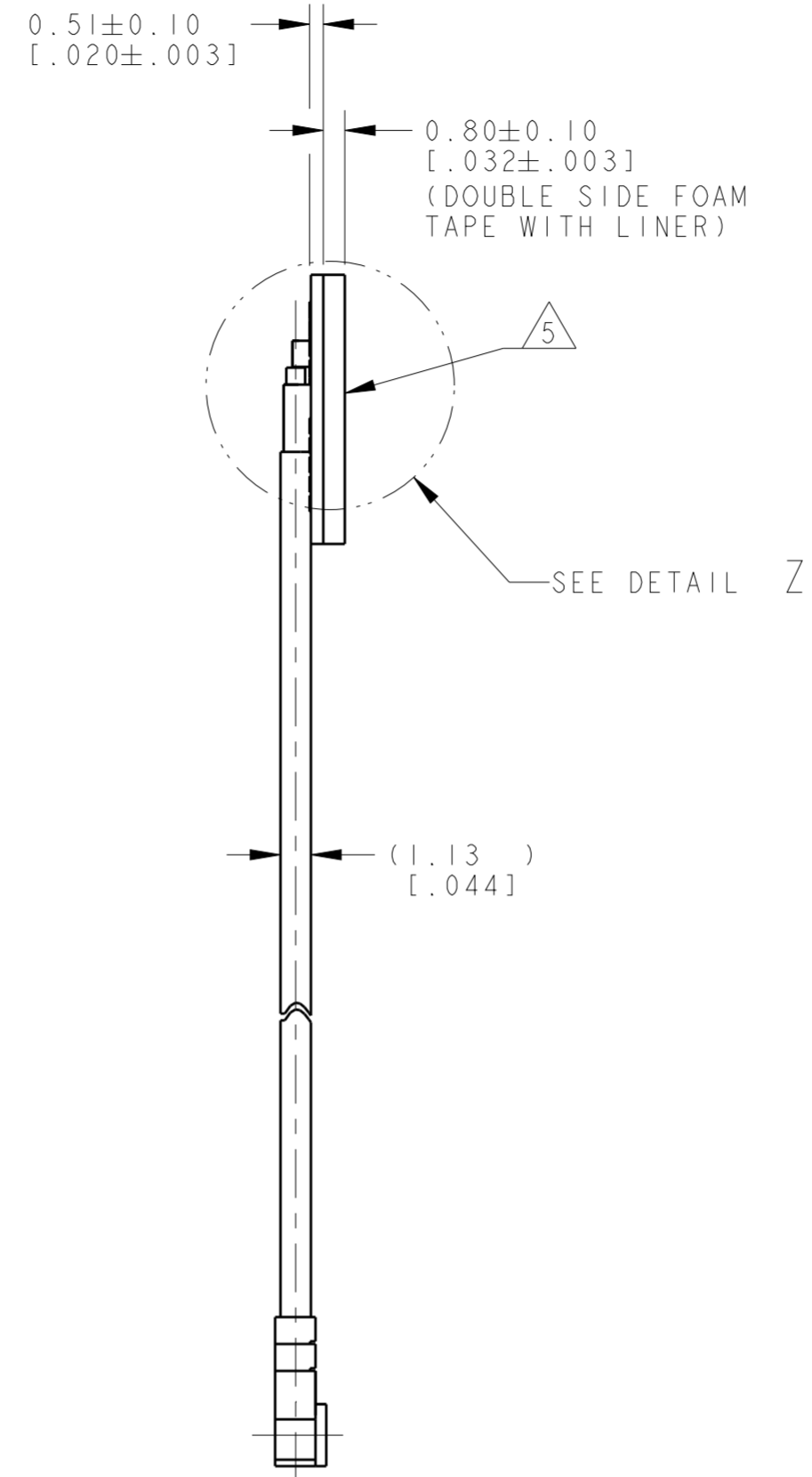
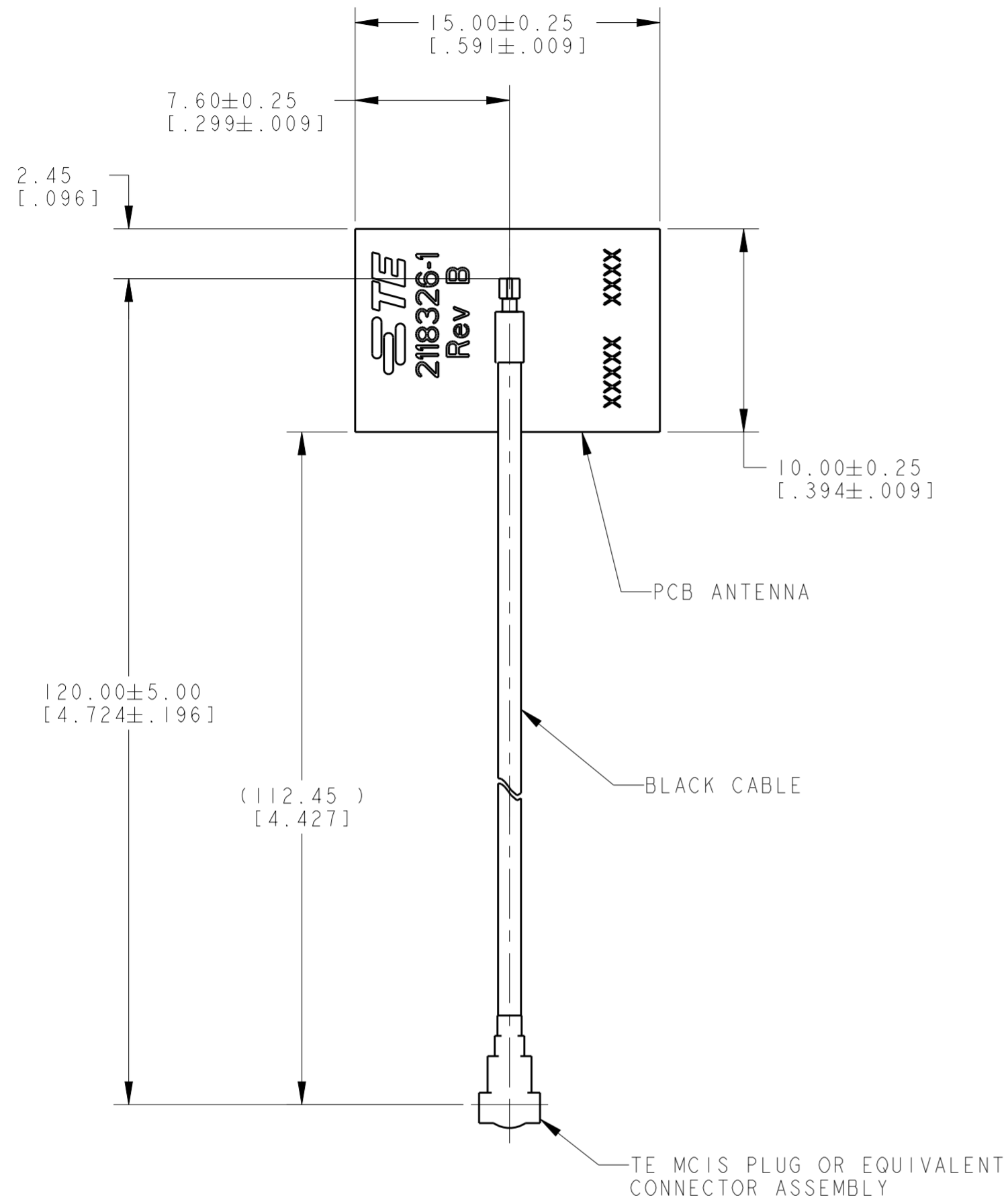
Email & Skype: info@chipsmall.com Web: www.chipsmall.com

Address: A1208, Overseas Decoration Building, #122 Zhenhua RD., Futian, Shenzhen, China



THIS DRAWING IS UNPUBLISHED. RELEASED FOR PUBLICATION 20
 © COPYRIGHT 20 BY TYCO ELECTRONICS CORPORATION ALL RIGHTS RESERVED.

| LOC | DIST | REVISIONS | | | | | |
|-----|------|-----------|-----|---------------------------|-----------|-----|------|
| | | P | LTR | DESCRIPTION | DATE | DWN | APVD |
| AJ | 00 | | A | RELEASED. | 11DEC2013 | KF | JPS |
| | | | AI | UPDATE CONNECTOR NOTE | 15DEC2015 | JPS | JLM |
| | | | B | REVISED PER ECO-17-005165 | 11APR2017 | JPS | JLM |



DETAIL Z
 SOLDERING DETAIL
 SCALE 8:1

2118326-1 SHOWN

1. PRODUCT AND PROCESSING MEETS REQUIREMENTS OF TE CONNECTIVITY ENVIRONMENTAL STANDARD TEC-138-702.
2. MINIMUM IDENTIFICATION INCLUDES:
 TOP LAYER: TE LOGO, TE ASSEMBLY PART NUMBER, ASSEMBLY REVISION LETTER, AND FOUR DIGIT DATE CODE (FIRST 2 DIGITS FOR THE WEEK CODE AND THE 2ND TWO DIGITS FOR THE YEAR CODE).
3. MATERIALS: PCB MATERIAL; HALOGEN FREE
 TOTAL THICKNESS: 0.51 [0.020], SINGLE SIDE, 1/2 OUNCE COPPER.
4. OVERPLATING: PLATING ON EXPOSED COPPER AREAS TO BE E.N.I.G. FINISH.
5. REMOVE LINER FROM DOUBLE SIDED FOAM TAPE 3M VHB RP32 TO APPLY ANTENNA IN APPLICATION.
6. CONSULT TE CONNECTIVITY DATA SHEET DS2118326.
7. PRODUCT PACKAGED IN A BAG.

2118326-1
 PART NUMBER

| | | | | | | | | | | | | | | | | | | |
|---|---|----------------------------------|--|--------------------|---|-------|---|-------|---|-------|---|--------|---|--------|---|-------------------|------------|--------------------|
| THIS DRAWING IS A CONTROLLED DOCUMENT. | | DWN K. FOLTZ 07MAR2013 | TE Connectivity | | | | | | | | | | | | | | | |
| DIMENSIONS: mm [INCHES] | | CHK G. GRIFFITH 07MAR2013 | | | | | | | | | | | | | | | | |
| TOLERANCES UNLESS OTHERWISE SPECIFIED: | | APVD G. GRIFFITH 07MAR2013 | NAME SINGLE BAND, 5 GHz PIFA ANTENNA | | | | | | | | | | | | | | | |
| <table border="1"> <tr><td>0 PLC</td><td>±</td></tr> <tr><td>1 PLC</td><td>±</td></tr> <tr><td>2 PLC</td><td>±</td></tr> <tr><td>3 PLC</td><td>±</td></tr> <tr><td>4 PLC</td><td>±</td></tr> <tr><td>ANGLES</td><td>±</td></tr> <tr><td>FINISH</td><td>±</td></tr> </table> | | 0 PLC | ± | 1 PLC | ± | 2 PLC | ± | 3 PLC | ± | 4 PLC | ± | ANGLES | ± | FINISH | ± | PRODUCT SPEC - | SIZE A2 | CAGE CODE 00779 |
| 0 PLC | ± | | | | | | | | | | | | | | | | | |
| 1 PLC | ± | | | | | | | | | | | | | | | | | |
| 2 PLC | ± | | | | | | | | | | | | | | | | | |
| 3 PLC | ± | | | | | | | | | | | | | | | | | |
| 4 PLC | ± | | | | | | | | | | | | | | | | | |
| ANGLES | ± | | | | | | | | | | | | | | | | | |
| FINISH | ± | | | | | | | | | | | | | | | | | |
| MATERIAL - | | APPLICATION SPEC - | DRAWING NO C-2118326 | RESTRICTED TO - | | | | | | | | | | | | | | |
| - | | WEIGHT - | SCALE 4:1 SHEET 1 OF 1 REV B | | | | | | | | | | | | | | | |
| - | | CUSTOMER DRAWING | | | | | | | | | | | | | | | | |