



Chipsmall Limited consists of a professional team with an average of over 10 year of expertise in the distribution of electronic components. Based in Hongkong, we have already established firm and mutual-benefit business relationships with customers from,Europe,America and south Asia,supplying obsolete and hard-to-find components to meet their specific needs.

With the principle of "Quality Parts,Customers Priority,Honest Operation,and Considerate Service",our business mainly focus on the distribution of electronic components. Line cards we deal with include Microchip,ALPS,ROHM,Xilinx,Pulse,ON,Everlight and Freescale. Main products comprise IC,Modules,Potentiometer,IC Socket,Relay,Connector.Our parts cover such applications as commercial,industrial, and automotives areas.

We are looking forward to setting up business relationship with you and hope to provide you with the best service and solution. Let us make a better world for our industry!



## Contact us

Tel: +86-755-8981 8866 Fax: +86-755-8427 6832

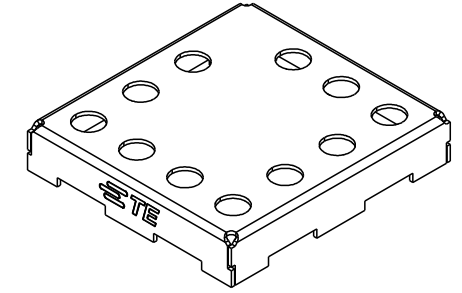
Email & Skype: info@chipsmall.com Web: www.chipsmall.com

Address: A1208, Overseas Decoration Building, #122 Zhenhua RD., Futian, Shenzhen, China



REVISIONS

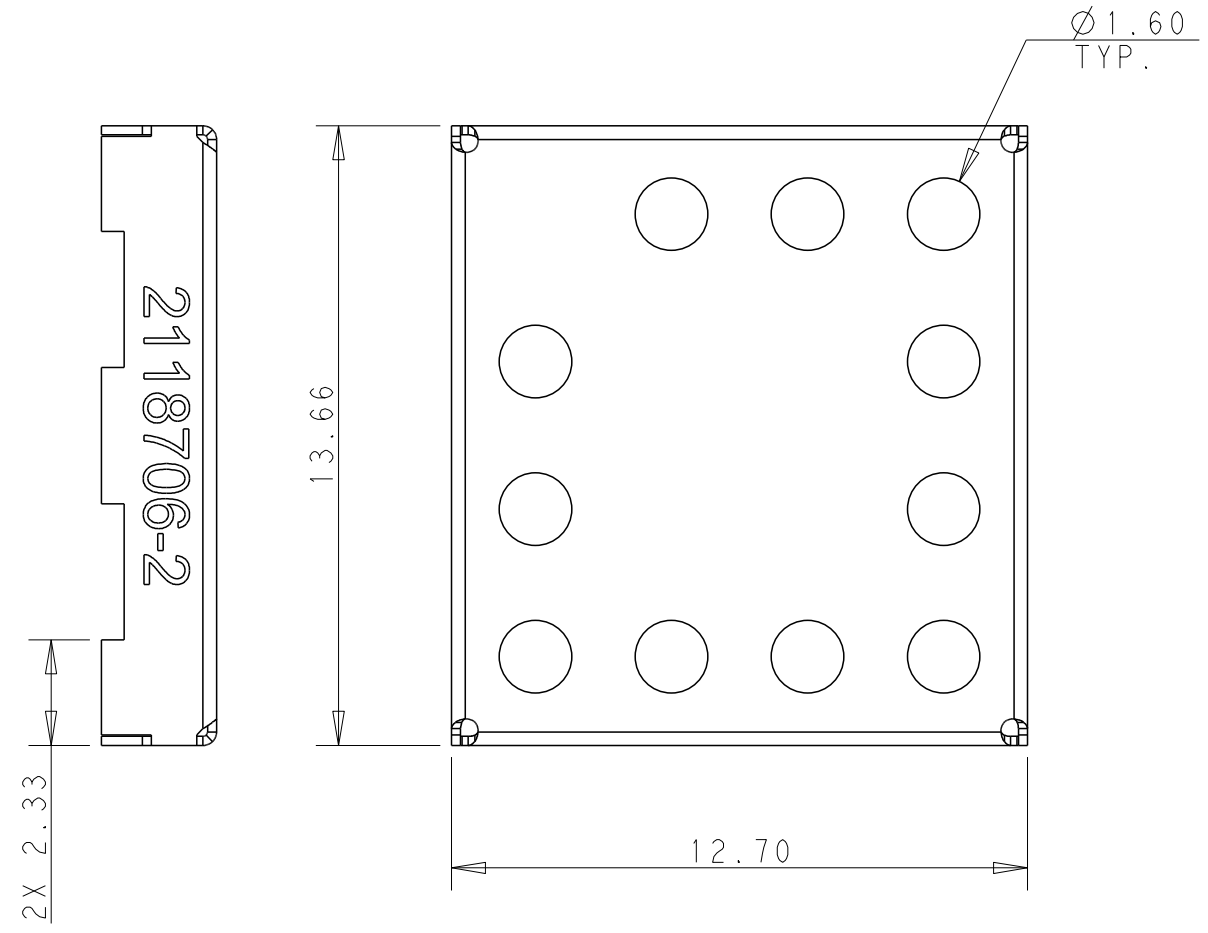
P	LTR	DESCRIPTION	DATE	DWN	APVD
2		ADD NOTE 2, UPDATE TABLE	27JUL2016	VL	
A		DRAWING RELEASED	20APR2017	VL	SS
A1		REVISED PER ECO-17-007644	26MAY2017	VL	SS
A2		REVISED PER ECO-17-013857	20SEP2017	SS	HL



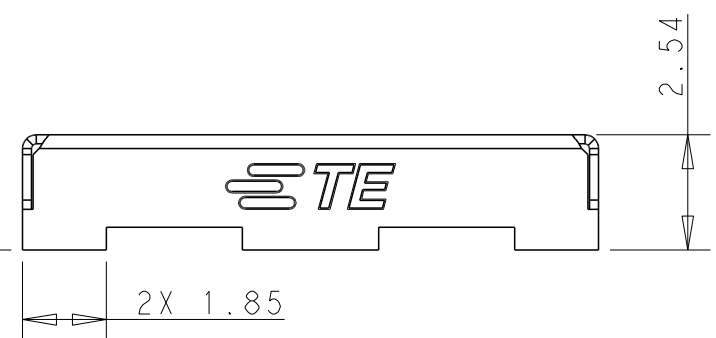
SCALE 3:1

NOTES:

- 1 MATERIAL: 0.20mm CRS. 1,25 - 3.00µm MATTE TIN FINISH.
- 2 MATERIAL: 0.20mm AL. 1.20 - 2.00µm MATTE TIN FINISH OVER NICKEL FLASH.
- 3 STAMPING BURR OUTSIDE OF PART, MAX 0.05mm.
- 4 PARTS TO BE FREE OF OIL AND CONTAMINENTS.
- 5 PART IS RoHS COMPLIANT PER TE CONNECTIVITY STANDARD TEC-138-702.
- 6 REFER TO 3D MODEL FOR UNSPECIFIED DIMENSIONS.
- 7 PACKAGING: TAPE AND REEL



0.10 ALL SURFACES



7	2	2118706-4
7	1	2118706-2
PACKAGING	MATERIAL	PART NUMBER

THIS DRAWING IS A CONTROLLED DOCUMENT.		DWN V. LAC 06APR2016	TE Connectivity	
DIMENSIONS: mm		CHK S. SU 20APR2017		
TOLERANCES UNLESS OTHERWISE SPECIFIED:		APVD V. LAC 20APR2017	NAME 1 PIECE STANDARD SHIELD	
0 PLC ±0.20		PRODUCT SPEC 108-115119	SIZE A3	
1 PLC ±0.15		APPLICATION SPEC 114-115013	CAGE CODE -	DRAWING NO C-2118706
2 PLC ±0.10		WEIGHT -	RESTRICTED TO -	
3 PLC ±-		CUSTOMER DRAWING	SCALE 6:1	SHEET 1 OF 3
4 PLC ±-			REV A2	
ANGLES ±2				
FINISH SEE TABLE				
MATERIAL SEE TABLE				

THIS DRAWING IS UNPUBLISHED.

RELEASED FOR PUBLICATION

20

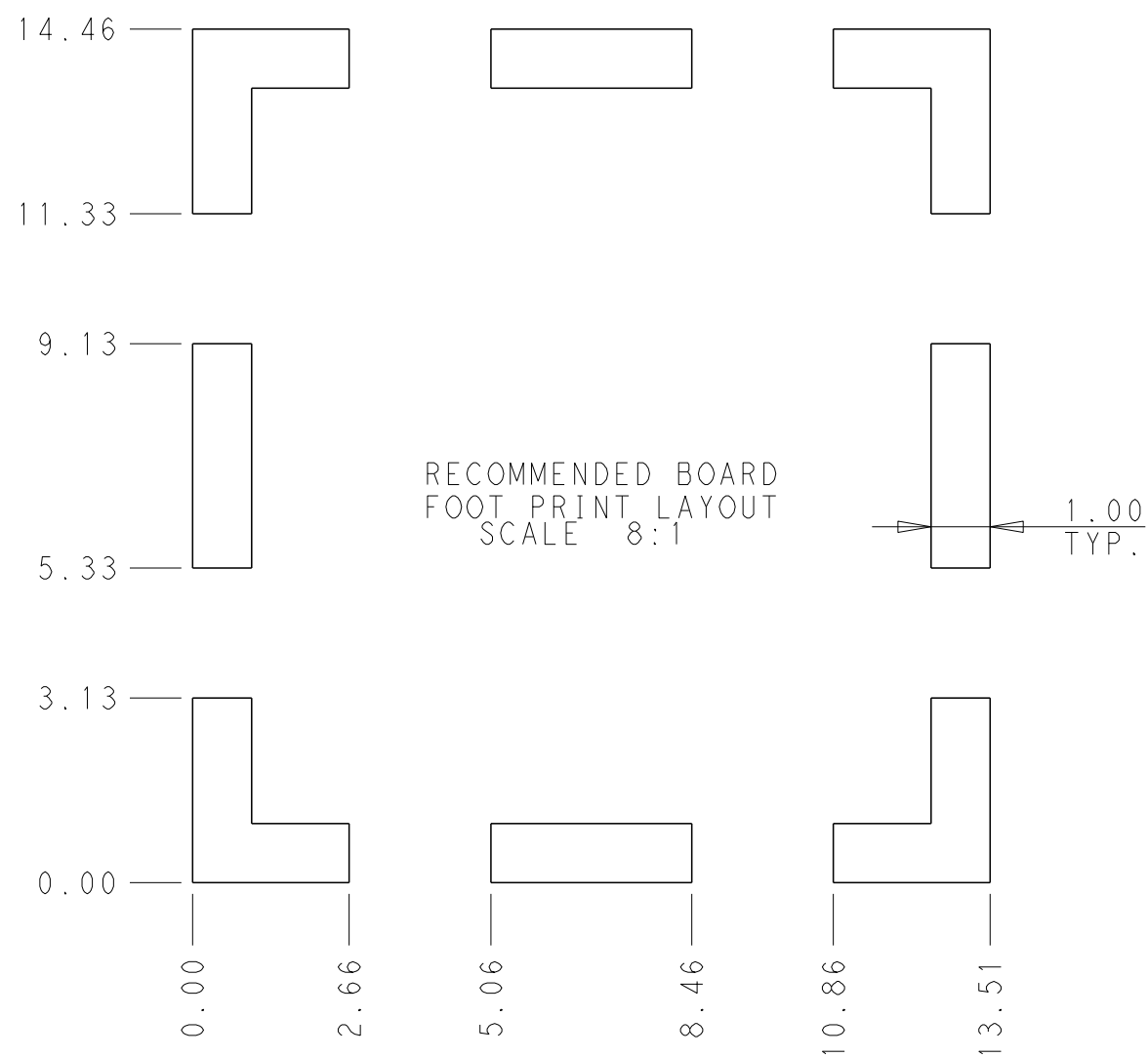
© COPYRIGHT 20

BY -

ALL RIGHTS RESERVED.

REVISIONS

P	LTR	DESCRIPTION	DATE	DWN	APVD
	-	SEE SHEET 1	-	-	-

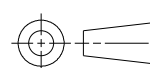


NOTES:

8. STENCIL THICKNESS: 0.10mm MIN.

THIS DRAWING IS A CONTROLLED DOCUMENT.

DIMENSIONS:  
mm



TOLERANCES UNLESS OTHERWISE SPECIFIED:

- 0 PLC ±0.20
- 1 PLC ±0.15
- 2 PLC ±0.10
- 3 PLC ±
- 4 PLC ±
- ANGLES ±2

MATERIAL  
SEE TABLE

FINISH  
SEE TABLE

DWN V. LAC 06APR2016

CHK S. SU 20APR2017

APVD V. LAC 20APR2017

PRODUCT SPEC  
108-115119

APPLICATION SPEC

WEIGHT -

CUSTOMER DRAWING



TE Connectivity

NAME  
1 PIECE STANDARD SHIELD

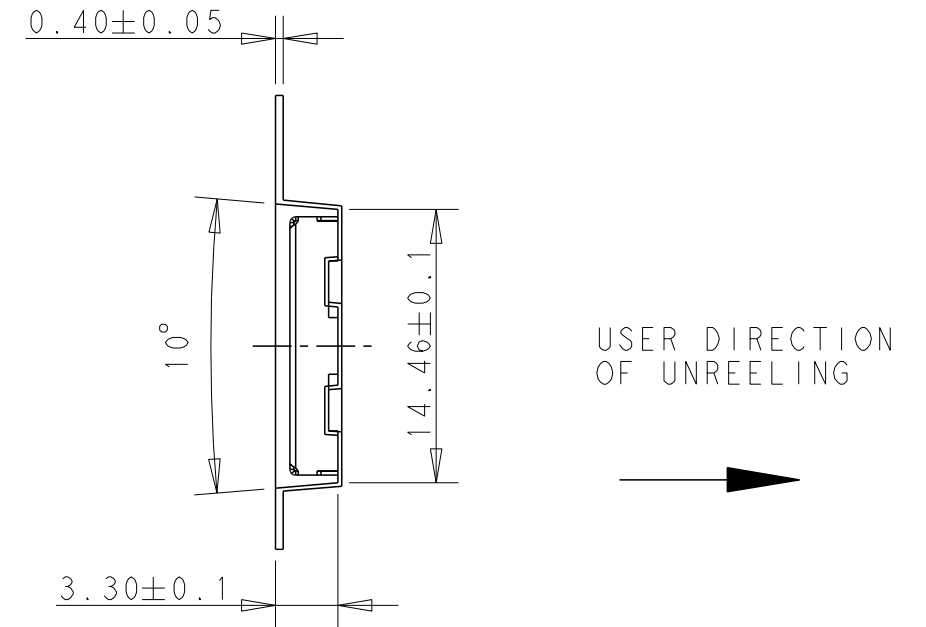
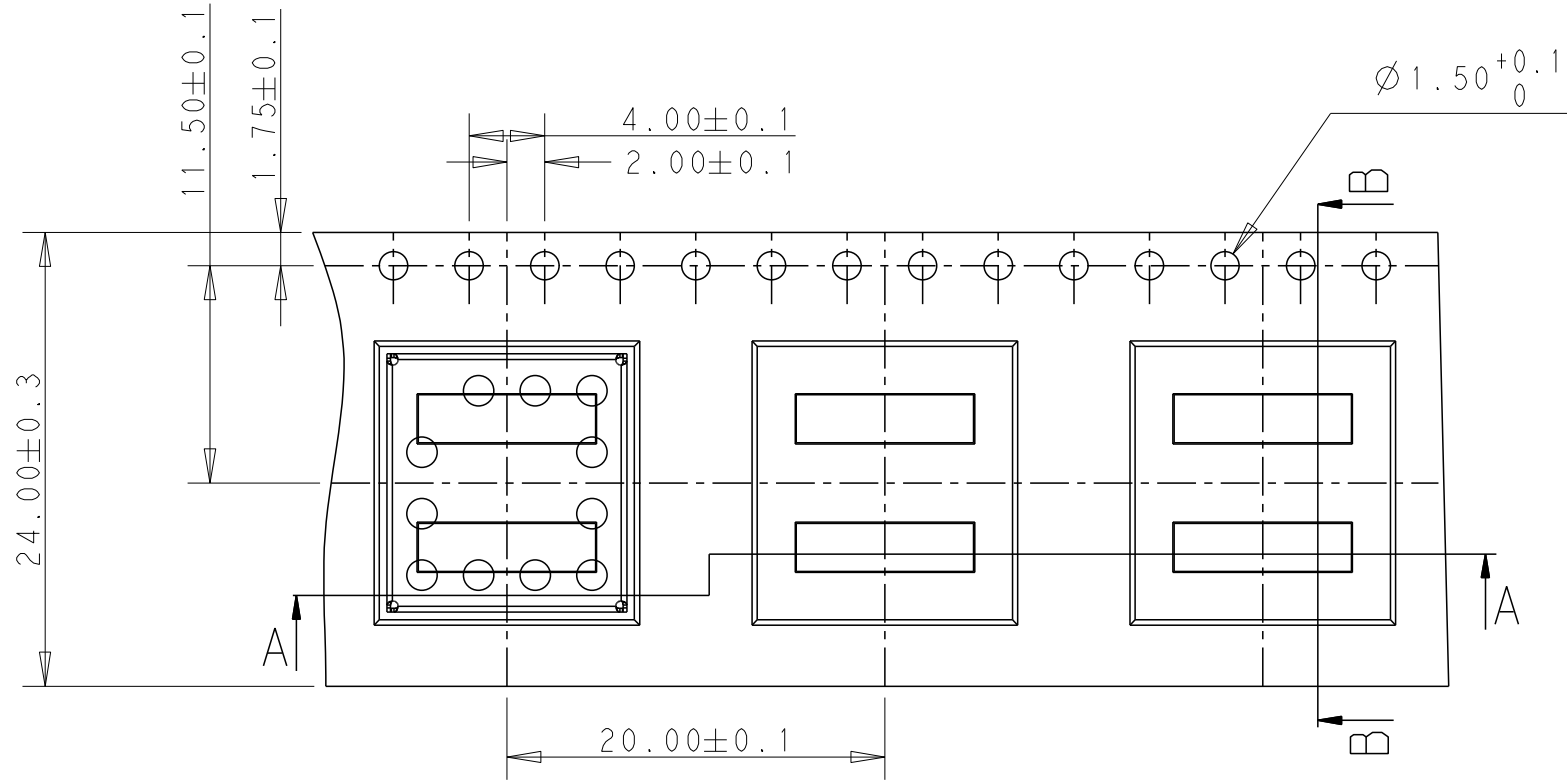
SIZE CAGE CODE DRAWING NO RESTRICTED TO

A3 - C-2118706

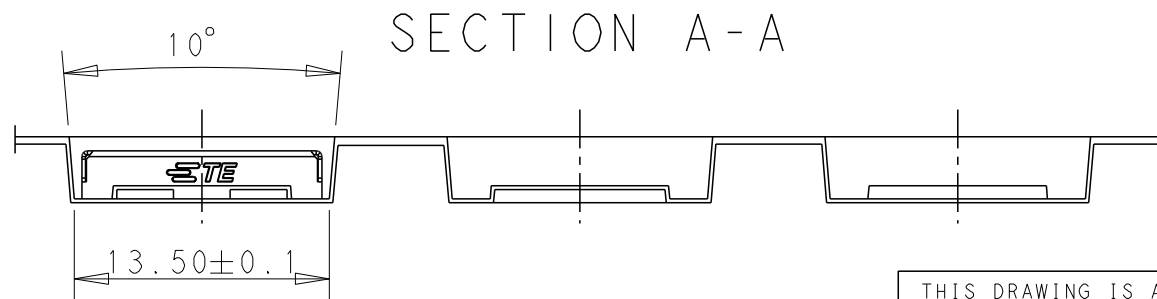
SCALE 6:1 SHEET 2 OF 3 REV A2

REVISIONS

P	LTR	DESCRIPTION	DATE	DWN	APVD
-	-	SEE SHEET 1	-	-	-



SECTION B-B



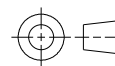
SECTION A-A

NOTES:

- 9. REEL SIZE: O.D. 330mm, I.D. 100mm
- 10. QTY PER REEL: 900PCS

THIS DRAWING IS A CONTROLLED DOCUMENT.

DIMENSIONS:  
mm



TOLERANCES UNLESS OTHERWISE SPECIFIED:

0 PLC	±0.20
1 PLC	±0.15
2 PLC	±0.10
3 PLC	±
4 PLC	±
ANGLES	±2

MATERIAL  
SEE TABLE

FINISH  
SEE TABLE

DWN V. LAC 06APR2016

CHK S. SU 20APR2017

APVD V. LAC 20APR2017

PRODUCT SPEC  
108-115119

APPLICATION SPEC

WEIGHT -

CUSTOMER DRAWING

NAME  
1 PIECE STANDARD SHIELD

SIZE CAGE CODE DRAWING NO RESTRICTED TO

A3 - C-2118706

SCALE 6:1 SHEET 3 OF 3 REV A2

