



Chipsmall Limited consists of a professional team with an average of over 10 year of expertise in the distribution of electronic components. Based in Hongkong, we have already established firm and mutual-benefit business relationships with customers from,Europe,America and south Asia,supplying obsolete and hard-to-find components to meet their specific needs.

With the principle of "Quality Parts,Customers Priority,Honest Operation,and Considerate Service",our business mainly focus on the distribution of electronic components. Line cards we deal with include Microchip,ALPS,ROHM,Xilinx,Pulse,ON,Everlight and Freescale. Main products comprise IC,Modules,Potentiometer,IC Socket,Relay,Connector.Our parts cover such applications as commercial,industrial, and automotives areas.

We are looking forward to setting up business relationship with you and hope to provide you with the best service and solution. Let us make a better world for our industry!



Contact us

Tel: +86-755-8981 8866 Fax: +86-755-8427 6832

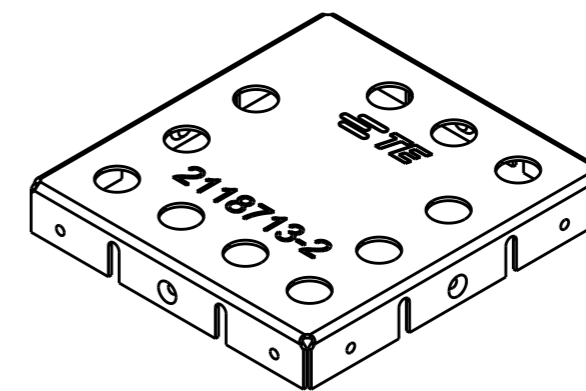
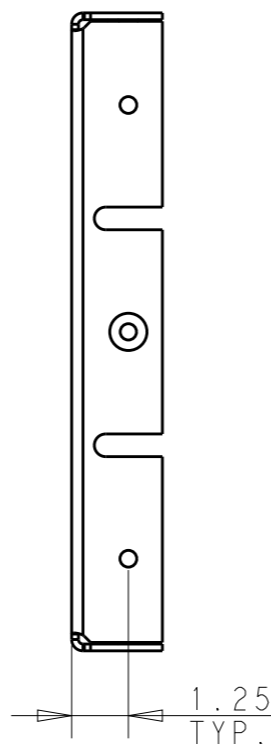
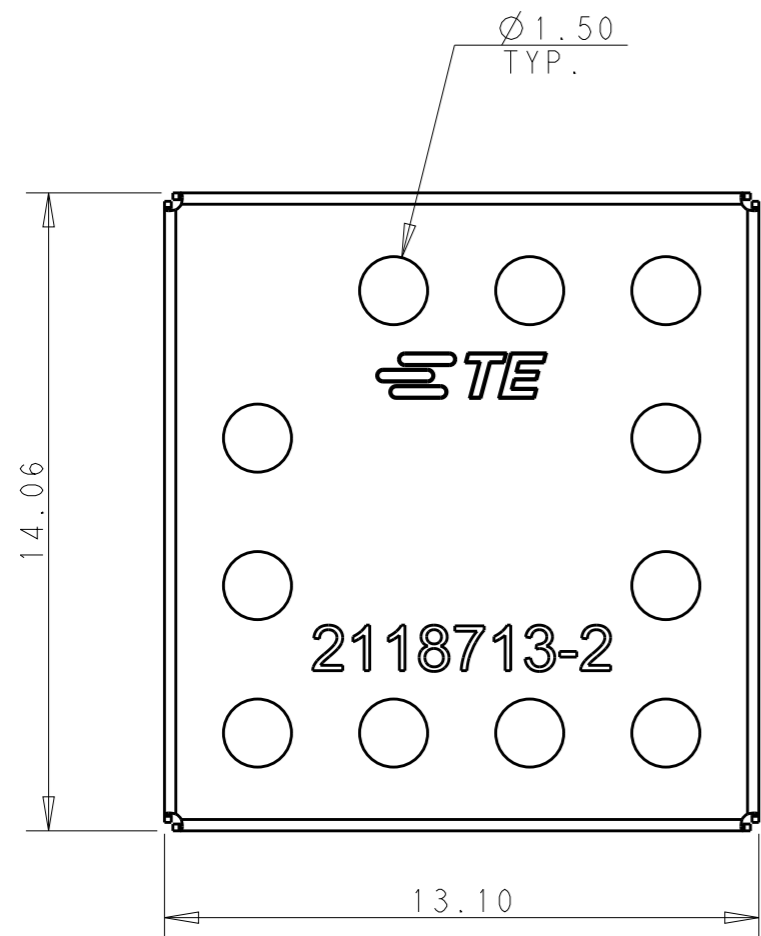
Email & Skype: info@chipsmall.com Web: www.chipsmall.com

Address: A1208, Overseas Decoration Building, #122 Zhenhua RD., Futian, Shenzhen, China



REVISIONS

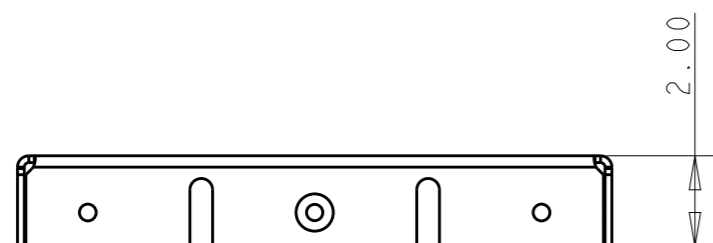
P	LTR	DESCRIPTION	DATE	DWN	APVD
4		INCREASE MATERIAL THICKNESS	11OCT2016	VL	SS
A		DRAWING RELEASED	24APR2017	VL	SS
A1		REVISED PER ECO-17-007644	26MAY2017	VL	SS
A2		REVISED PER ECO-17-013857	20SEP2017	SS	HL



SCALE 4:1

NOTES:

- 1 MATERIAL: 0.15mm CRS. 1,25 - 3.00 μ m MATTE TIN FINISH.
- 2 MATERIAL: 0.15mm AL. 1.20 - 2.00 μ m MATTE TIN FINISH OVER NICKEL FLASH.
- 3 STAMPING BURR OUTSIDE OF PART, MAX 0.05mm.
- 4 PARTS TO BE FREE OF OIL AND CONTAMINENTS.
- 5 PART IS ROHS COMPLIANT PER TE CONNECTIVITY STANDARD TEC-138-702.
- 6 REFER TO 3D MODEL FOR UNSPECIFIED DIMENSIONS.
- 7 PACKAGING: BULK



7	2	2118713-4
7	1	2118713-2
PACKAGING	MATERIAL	PART NUMBER

THIS DRAWING IS A CONTROLLED DOCUMENT.		DWN V. LAC 06APR2016	TE Connectivity	
DIMENSIONS: mm		CHK S. SU 24APR2017		
TOLERANCES UNLESS OTHERWISE SPECIFIED:		APVD V. LAC 24APR2017	NAME STANDARD SHIELD COVER	
0 PLC ± 0.20 1 PLC ± 0.15 2 PLC ± 0.10 3 PLC \pm 4 PLC \pm ANGLES ± 2		PRODUCT SPEC 108-19493	SIZE A3	
MATERIAL SEE TABLE		APPLICATION SPEC 114-115014	CAGE CODE -	DRAWING NO C-2118713
FINISH SEE TABLE		WEIGHT -	RESTRICTED TO -	
-		CUSTOMER DRAWING	SCALE 6:1	SHEET 1 OF 1
-			REV A2	