



Chipsmall Limited consists of a professional team with an average of over 10 year of expertise in the distribution of electronic components. Based in Hongkong, we have already established firm and mutual-benefit business relationships with customers from,Europe,America and south Asia,supplying obsolete and hard-to-find components to meet their specific needs.

With the principle of “Quality Parts,Customers Priority,Honest Operation,and Considerate Service”,our business mainly focus on the distribution of electronic components. Line cards we deal with include Microchip,ALPS,ROHM,Xilinx,Pulse,ON,Everlight and Freescale. Main products comprise IC,Modules,Potentiometer,IC Socket,Relay,Connector.Our parts cover such applications as commercial,industrial, and automotives areas.

We are looking forward to setting up business relationship with you and hope to provide you with the best service and solution. Let us make a better world for our industry!



Contact us

Tel: +86-755-8981 8866 Fax: +86-755-8427 6832

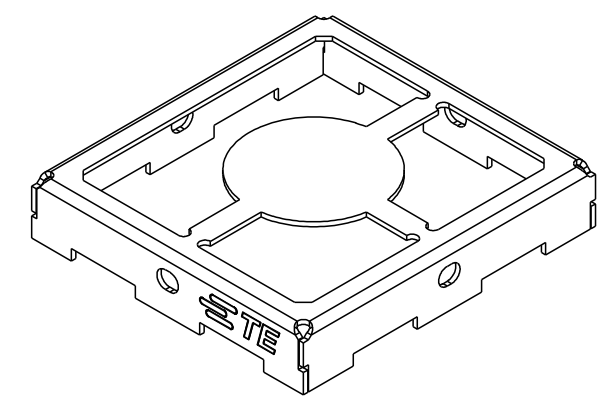
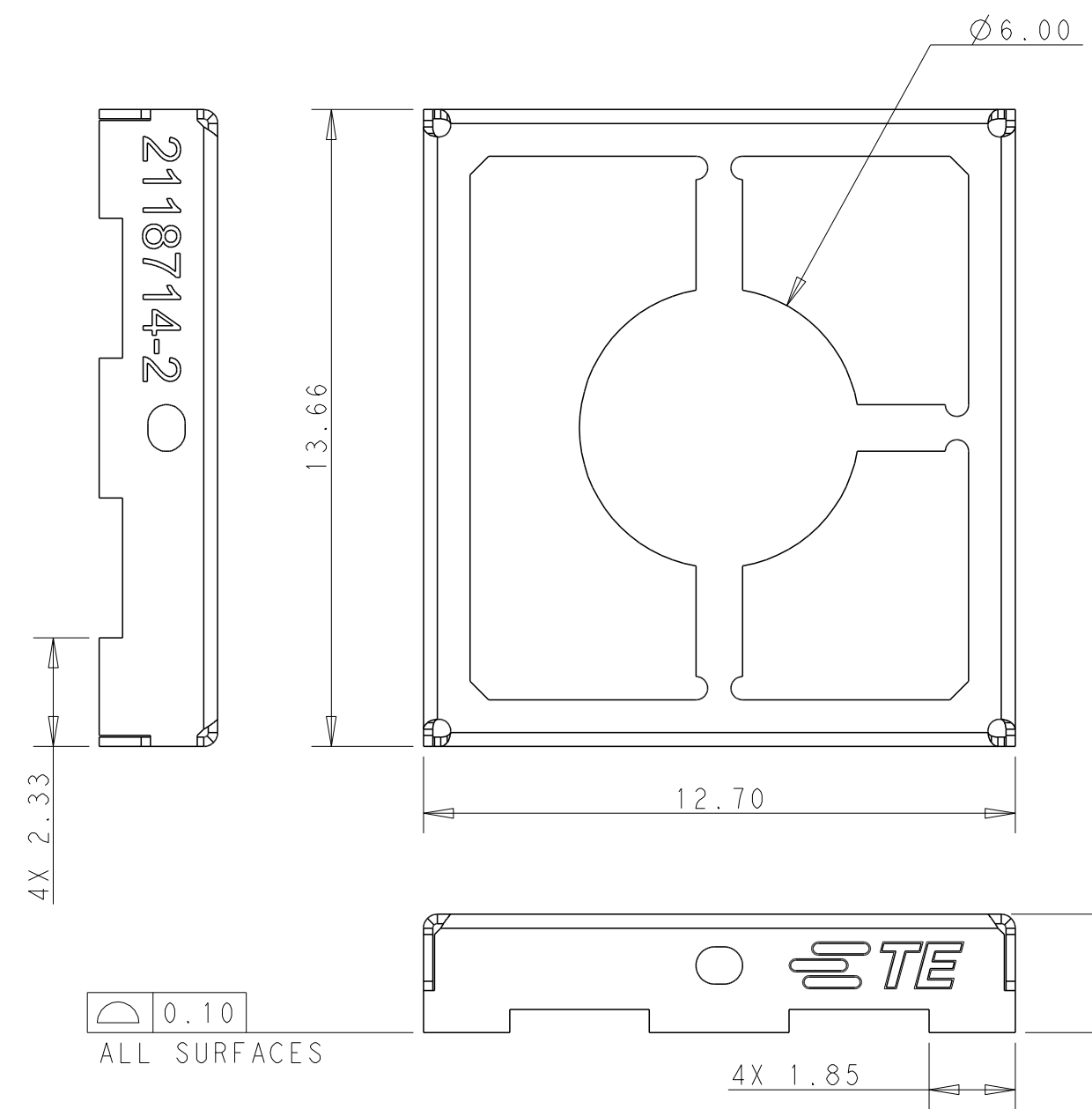
Email & Skype: info@chipsmall.com Web: www.chipsmall.com

Address: A1208, Overseas Decoration Building, #122 Zhenhua RD., Futian, Shenzhen, China



THIS DRAWING IS UNPUBLISHED. RELEASED FOR PUBLICATION 20
 © COPYRIGHT 20 BY - ALL RIGHTS RESERVED.

REVISIONS					
P	LTR	DESCRIPTION	DATE	DWN	APVD
	1	INITIAL CONCEPT	07APR2016	VL	
	A	DRAWING RELEASED	20APR2017	VL	SS
	A1	REVISED PER ECO-17-007644	26MAY2017	VL	SS
	A2	REVISED PER ECO-17-013857	20SEP2017	SS	HL



SCALE 4:1

NOTES:

- 1 MATERIAL: 0.20mm CRS. 1,25 - 3.00µm MATTE TIN FINISH.
- 2 STAMPING BURR OUTSIDE OF PART, MAX 0.05mm.
- 3 PARTS TO BE FREE OF OIL AND CONTAMINENTS.
- 4 PART IS RoHS COMPLIANT PER TE CONNECTIVITY STANDARD TEC-138-702.
- 5 REFER TO 3D MODEL FOR UNSPECIFIED DIMENSIONS.
- 6 PACKAGING: TAPE AND REEL

6	2118714-2
PACKAGING	PART NUMBER

THIS DRAWING IS A CONTROLLED DOCUMENT.		DWN V. LAC 06APR2016	STE TE Connectivity				
DIMENSIONS: mm		CHK S. SU 20APR2017					
TOLERANCES UNLESS OTHERWISE SPECIFIED:		APVD V. LAC 20APR2017	NAME STANDARD SHIELD FRAME				
0 PLC ±0.20		PRODUCT SPEC 108-19493					
1 PLC ±0.15		APPLICATION SPEC 114-115014	SIZE A3	CAGE CODE -	DRAWING NO. C-2118714	RESTRICTED TO -	
2 PLC ±0.10		WEIGHT -	CUSTOMER DRAWING		SCALE 7:1	SHEET 1 OF 3	REV A2
3 PLC ±							
4 PLC ±							
ANGLES ±2							
FINISH 1							

THIS DRAWING IS UNPUBLISHED.

RELEASED FOR PUBLICATION

20

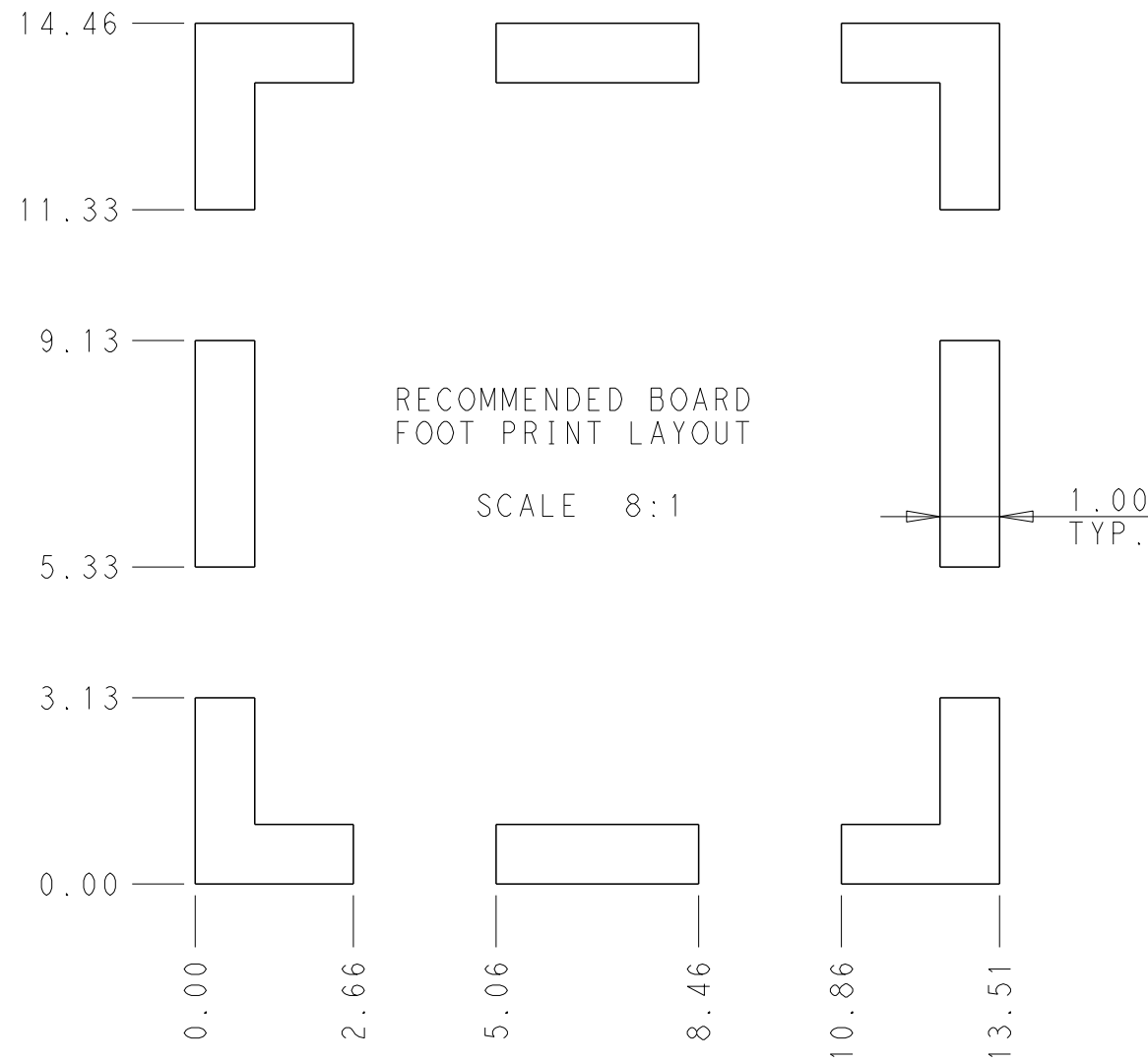
© COPYRIGHT 20

BY -

ALL RIGHTS RESERVED.

REVISIONS

P	LTR	DESCRIPTION	DATE	DWN	APVD
-	-	SEE SHEET 1	-	-	-

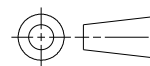


NOTES:

7. STENCIL THICKNESS: 0.10mm MIN.

THIS DRAWING IS A CONTROLLED DOCUMENT.

DIMENSIONS:
mm



TOLERANCES UNLESS OTHERWISE SPECIFIED:

- 0 PLC ±0.20
- 1 PLC ±0.15
- 2 PLC ±0.10
- 3 PLC ±
- 4 PLC ±
- ANGLES ±2

MATERIAL

FINISH

DWN V. LAC 06APR2016

CHK S. SU 20APR2017

APVD V. LAC 20APR2017

PRODUCT SPEC

108-19493

APPLICATION SPEC

114-115014

WEIGHT -

CUSTOMER DRAWING



TE Connectivity

NAME STANDARD SHIELD FRAME

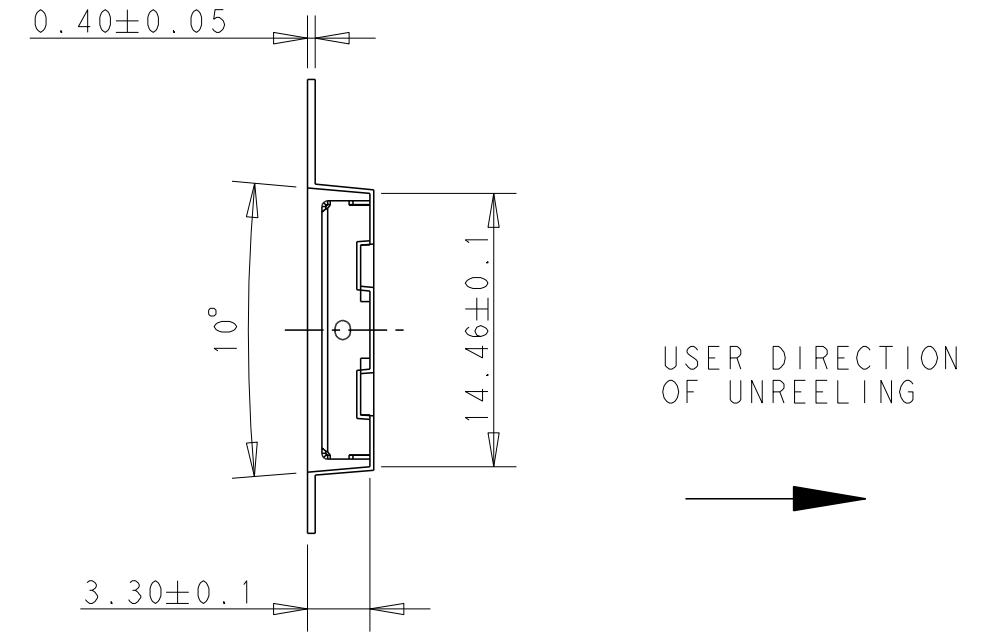
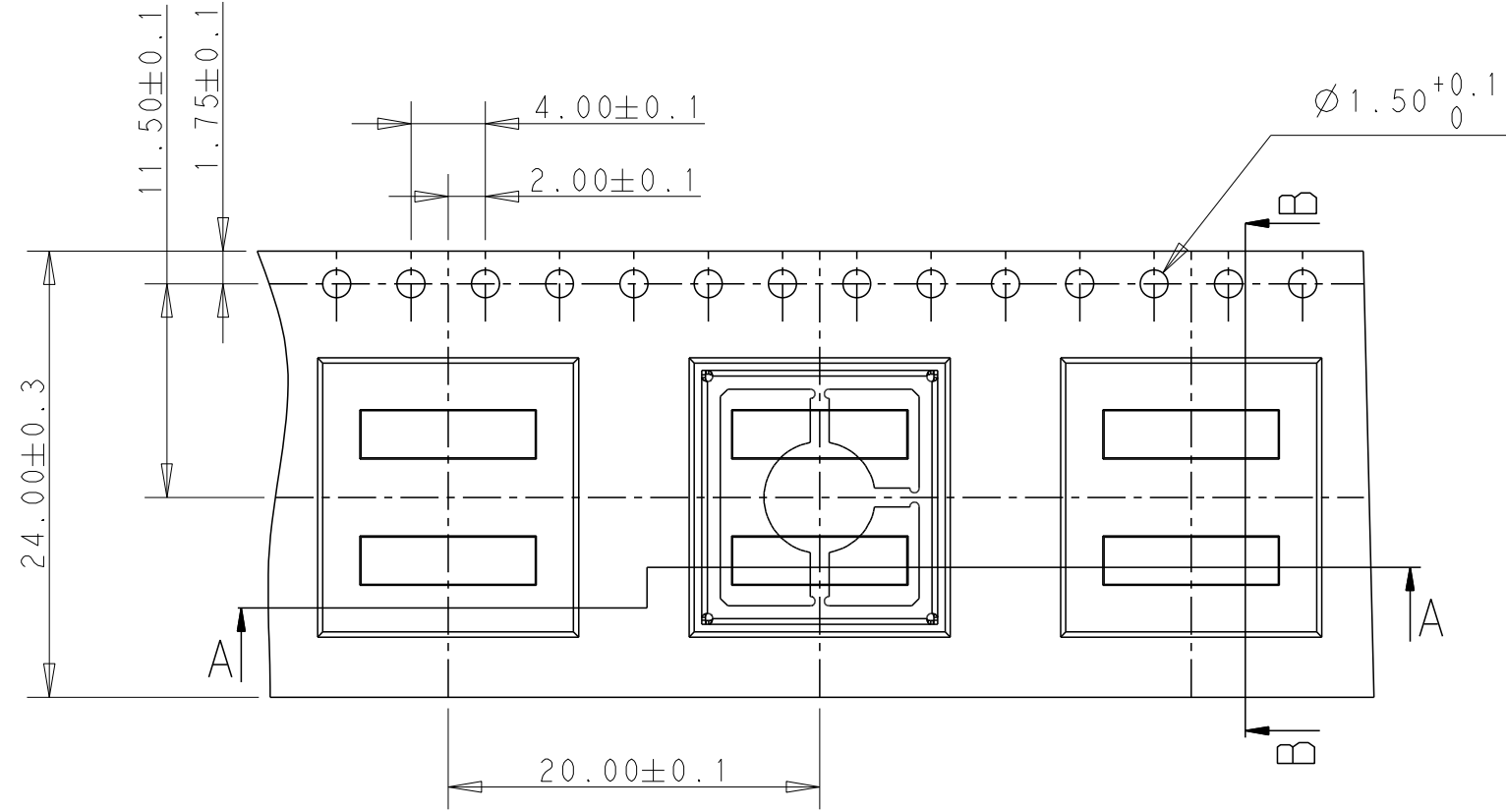
SIZE CAGE CODE DRAWING NO RESTRICTED TO

A3 - C-2118714 -

SCALE 6:1 SHEET 2 OF 3 REV A2

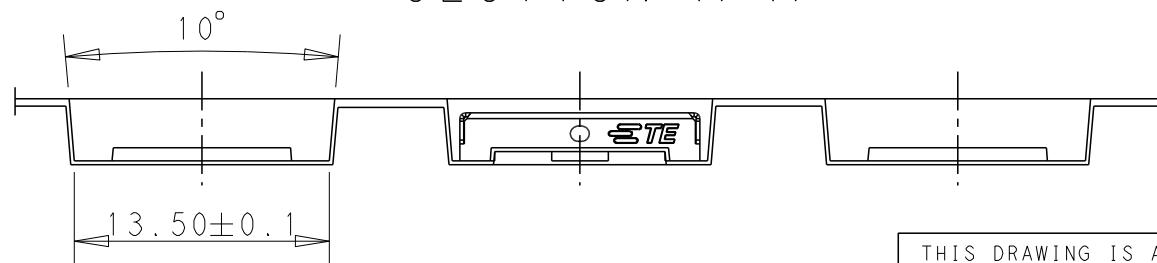
REVISIONS

P	LTR	DESCRIPTION	DATE	DWN	APVD
-	-	SEE SHEET 1	-	-	-



SECTION B-B

SECTION A-A



NOTES:

- 8. REEL SIZE: O.D. 330mm, I.D. 100mm
- 9. QTY PER REEL: 900PCS

THIS DRAWING IS A CONTROLLED DOCUMENT.

DIMENSIONS: mm		TOLERANCES UNLESS OTHERWISE SPECIFIED:	
	0 PLC	±0.20	
	1 PLC	±0.15	
	2 PLC	±0.10	
	3 PLC	±	
	4 PLC	±	
	ANGLES	±2	
MATERIAL	FINISH		
-	-		

DWN	V. LAC	06APR2016
CHK	S. SU	20APR2017
APVD	V. LAC	20APR2017
PRODUCT SPEC	108-19493	
APPLICATION SPEC	114-115014	
WEIGHT	-	
CUSTOMER DRAWING		

		TE Connectivity	
		NAME STANDARD SHIELD FRAME	
SIZE	CAGE CODE	DRAWING NO	RESTRICTED TO
A3	-	C-2118714	-
SCALE		SHEET	REV
7:1		3 OF 3	A2