



Chipsmall Limited consists of a professional team with an average of over 10 year of expertise in the distribution of electronic components. Based in Hongkong, we have already established firm and mutual-benefit business relationships with customers from,Europe,America and south Asia,supplying obsolete and hard-to-find components to meet their specific needs.

With the principle of “Quality Parts,Customers Priority,Honest Operation,and Considerate Service”,our business mainly focus on the distribution of electronic components. Line cards we deal with include Microchip,ALPS,ROHM,Xilinx,Pulse,ON,Everlight and Freescale. Main products comprise IC,Modules,Potentiometer,IC Socket,Relay,Connector.Our parts cover such applications as commercial,industrial, and automotives areas.

We are looking forward to setting up business relationship with you and hope to provide you with the best service and solution. Let us make a better world for our industry!



Contact us

Tel: +86-755-8981 8866 Fax: +86-755-8427 6832

Email & Skype: info@chipsmall.com Web: www.chipsmall.com

Address: A1208, Overseas Decoration Building, #122 Zhenhua RD., Futian, Shenzhen, China



4

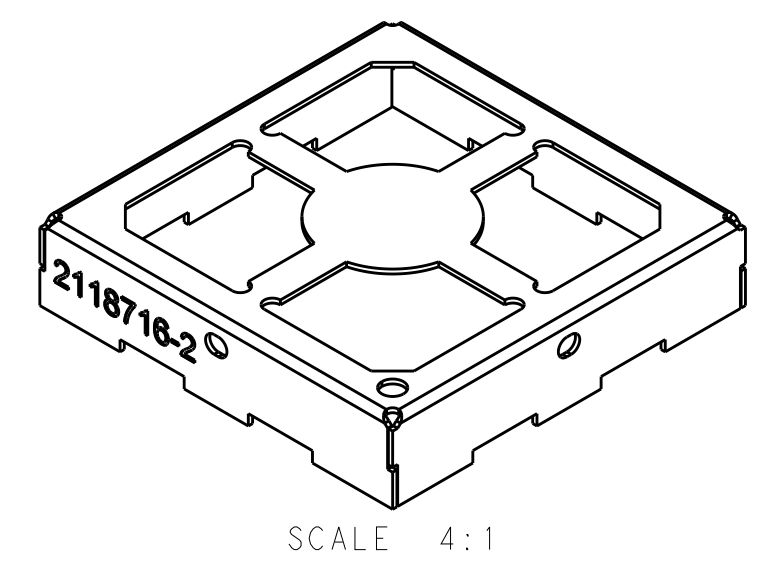
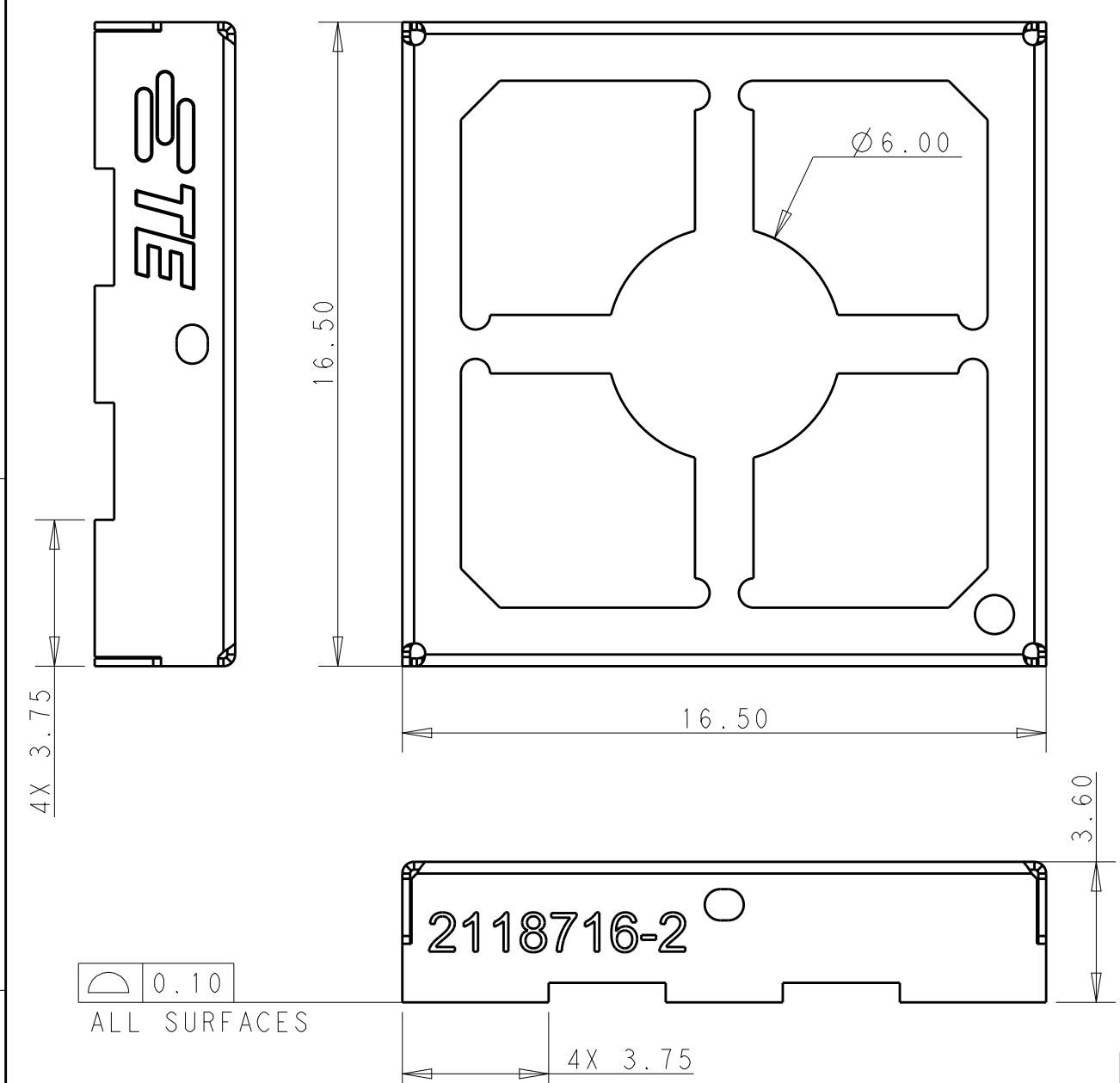
3

2

1

THIS DRAWING IS UNPUBLISHED. RELEASED FOR PUBLICATION 20
 © COPYRIGHT 20 BY - ALL RIGHTS RESERVED.

REVISIONS					
P	LTR	DESCRIPTION	DATE	DWN	APVD
2		ADD HOLE IN CORNER	01SEP2016	VL	SS
A		DRAWING RELEASED	21APR2017	VL	SS
A1		REVISED PER ECO-17-007644	26MAY2017	VL	SS
A3		REVISED PER ECO-17-013857	20SEP2017	SS	HL



NOTES:

- 1 MATERIAL: 0.20mm CRS. 1,25 - 3.00 μ m MATTE TIN FINISH.
- 2 STAMPING BURR OUTSIDE OF PART, MAX 0.05mm.
- 3 PARTS TO BE FREE OF OIL AND CONTAMINENTS.
- 4 PART IS RoHS COMPLIANT PER TE CONNECTIVITY STANDARD TEC-138-702.
- 5 REFER TO 3D MODEL FOR UNSPECIFIED DIMENSIONS.
- 6 PACKAGING: TAPE AND REEL

6	2118716-2
PACKAGING	PART NUMBER

THIS DRAWING IS A CONTROLLED DOCUMENT.		DWN V. LAC 06APR2016	TE Connectivity	
DIMENSIONS: mm		CHK S. SU 21APR2017		
TOLERANCES UNLESS OTHERWISE SPECIFIED:		APVD V. LAC 21APR2017	NAME STANDARD SHIELD FRAME	
0 PLC ± 0.20		PRODUCT SPEC 108-19493	SIZE A3	
1 PLC ± 0.15		APPLICATION SPEC 114-115014	CAGE CODE -	DRAWING NO C-2118716
2 PLC ± 0.10		WEIGHT -	RESTRICTED TO -	
3 PLC \pm		CUSTOMER DRAWING	SCALE 6:1	SHEET 1 OF 3
4 PLC \pm				REV A3
ANGLES ± 2				
MATERIAL 1	FINISH 1			

THIS DRAWING IS UNPUBLISHED.

RELEASED FOR PUBLICATION

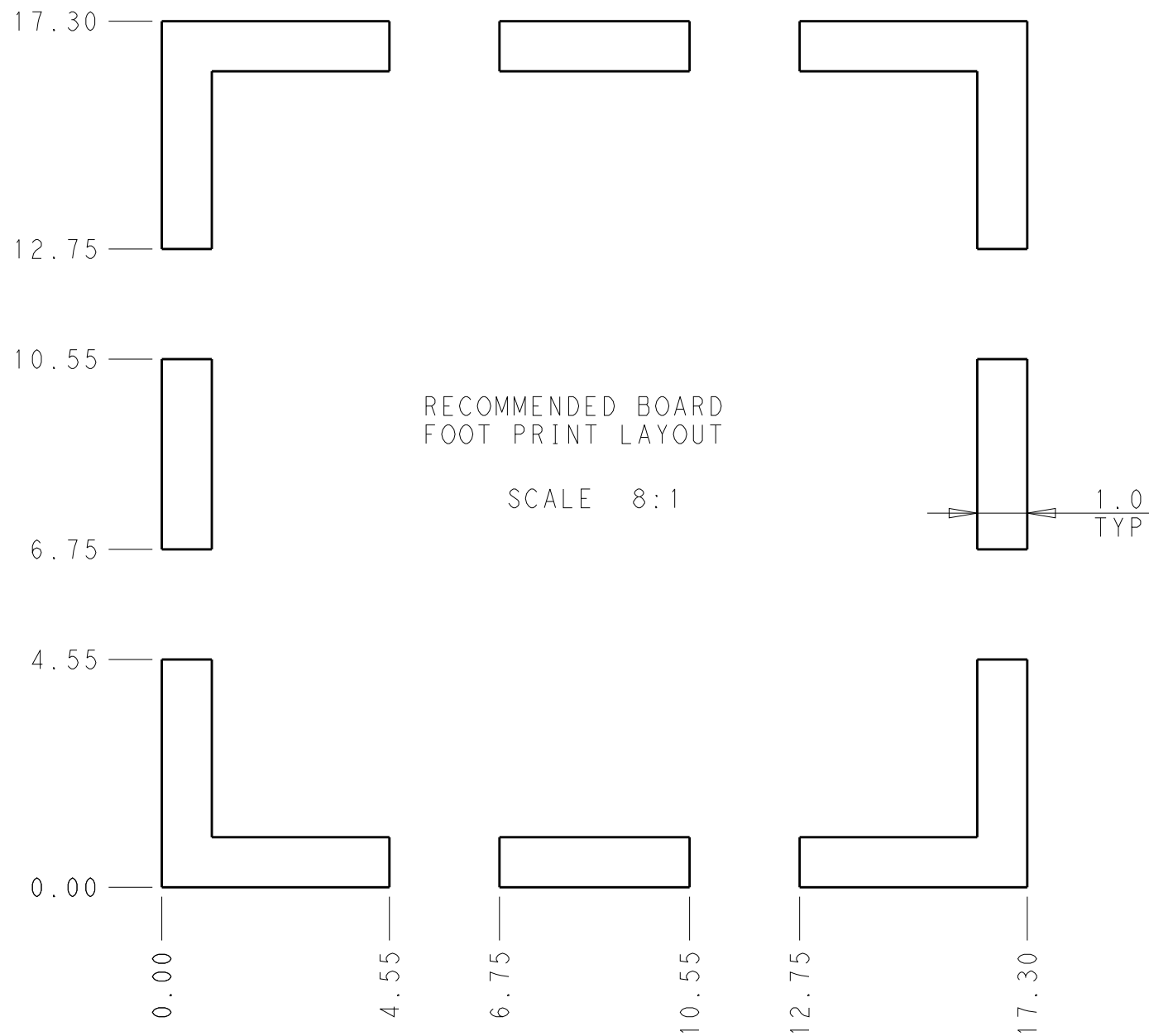
20

© COPYRIGHT 20 BY -


ALL RIGHTS RESERVED.

REVISIONS

P	LTR	DESCRIPTION	DATE	DWN	APVD
-	-	SEE SHEET 1	-	-	-

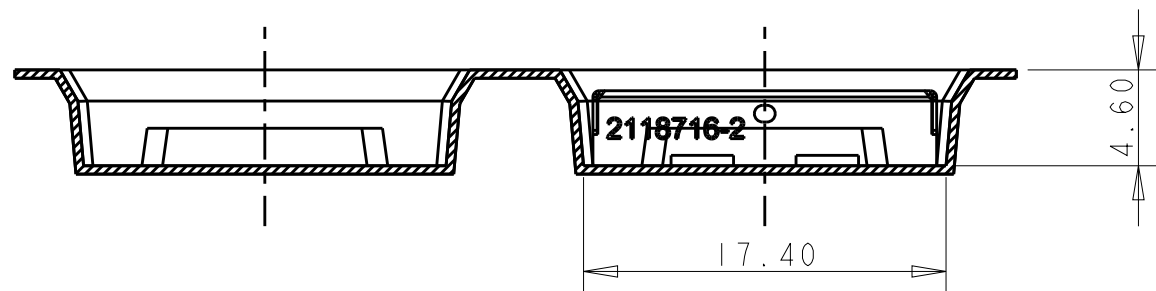
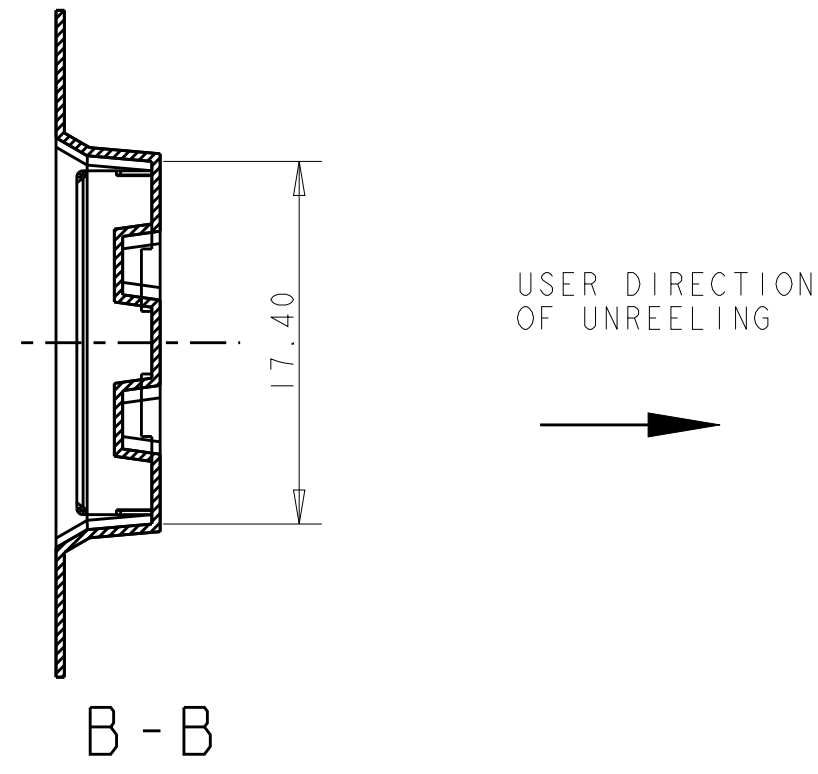
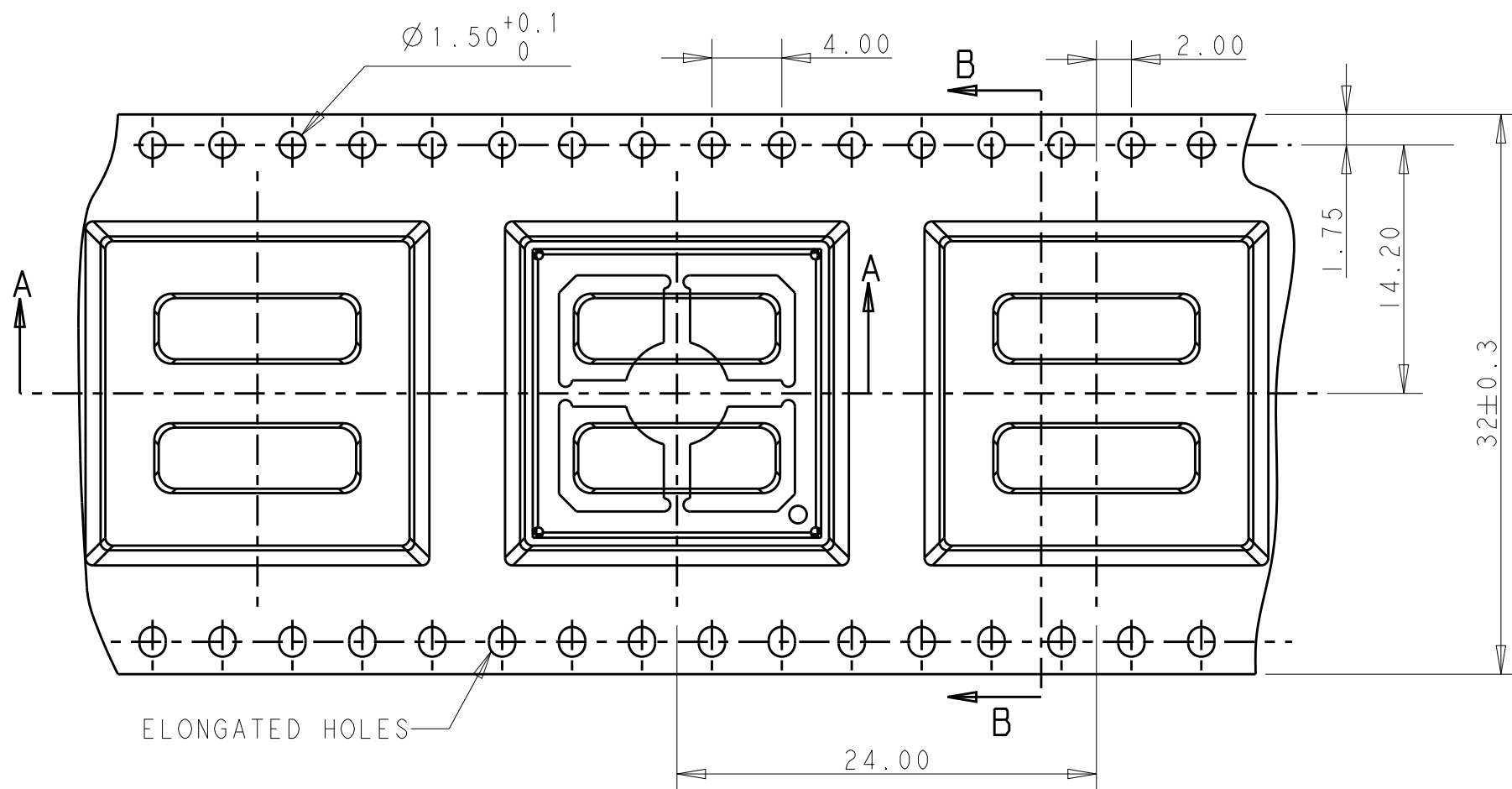


NOTES:
7. STENCIL THICKNESS: 0.10mm MIN.


THIS DRAWING IS A CONTROLLED DOCUMENT.		DWN V. LAC 06APR2016	 TE Connectivity	
DIMENSIONS: mm		CHK S. SU 21APR2017		
TOLERANCES UNLESS OTHERWISE SPECIFIED:		APVD V. LAC 21APR2017	NAME STANDARD SHIELD FRAME	
0 PLC ±0.20 1 PLC ±0.15 2 PLC ±0.10 3 PLC ± 4 PLC ± ANGLES ±2		PRODUCT SPEC 108-19493	RESTRICTED TO	
MATERIAL		APPLICATION SPEC 114-115014	SIZE A3	CAGE CODE -
FINISH		WEIGHT -	DRAWING NO C-2118716	SCALE 6:1
-		CUSTOMER DRAWING	SHEET 2 OF 3	REV A3

THIS DRAWING IS UNPUBLISHED. RELEASED FOR PUBLICATION 20
 © COPYRIGHT 20 BY - ALL RIGHTS RESERVED.

REVISIONS					
P	LTR	DESCRIPTION	DATE	DWN	APVD
-	-	SEE SHEET 1	-	-	-



- NOTES:
 8. REEL SIZE: O.D. 330mm, I.D. 100mm
 9. QTY PER REEL: 550PCS

THIS DRAWING IS A CONTROLLED DOCUMENT.		DWN V. LAC	06APR2016	 TE Connectivity	
DIMENSIONS: mm		CHK S. SU	21APR2017		
TOLERANCES UNLESS OTHERWISE SPECIFIED:		APVD V. LAC	21APR2017	NAME STANDARD SHIELD FRAME	
0 PLC ± 0.20 1 PLC ± 0.15 2 PLC ± 0.10 3 PLC \pm 4 PLC \pm ANGLES ± 2		PRODUCT SPEC 108-19493		SIZE A3	
MATERIAL		APPLICATION SPEC 114-115014		CAGE CODE -	DRAWING NO C-2118716
FINISH		WEIGHT -		RESTRICTED TO -	
-		CUSTOMER DRAWING		SCALE 6:1	SHEET 3 OF 3
-				REV A3	