



Chipsmall Limited consists of a professional team with an average of over 10 year of expertise in the distribution of electronic components. Based in Hongkong, we have already established firm and mutual-benefit business relationships with customers from,Europe,America and south Asia,supplying obsolete and hard-to-find components to meet their specific needs.

With the principle of "Quality Parts,Customers Priority,Honest Operation,and Considerate Service",our business mainly focus on the distribution of electronic components. Line cards we deal with include Microchip,ALPS,ROHM,Xilinx,Pulse,ON,Everlight and Freescale. Main products comprise IC,Modules,Potentiometer,IC Socket,Relay,Connector.Our parts cover such applications as commercial,industrial, and automotives areas.

We are looking forward to setting up business relationship with you and hope to provide you with the best service and solution. Let us make a better world for our industry!



Contact us

Tel: +86-755-8981 8866 Fax: +86-755-8427 6832

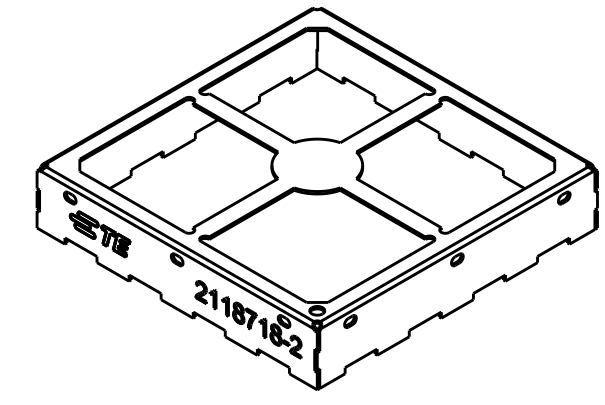
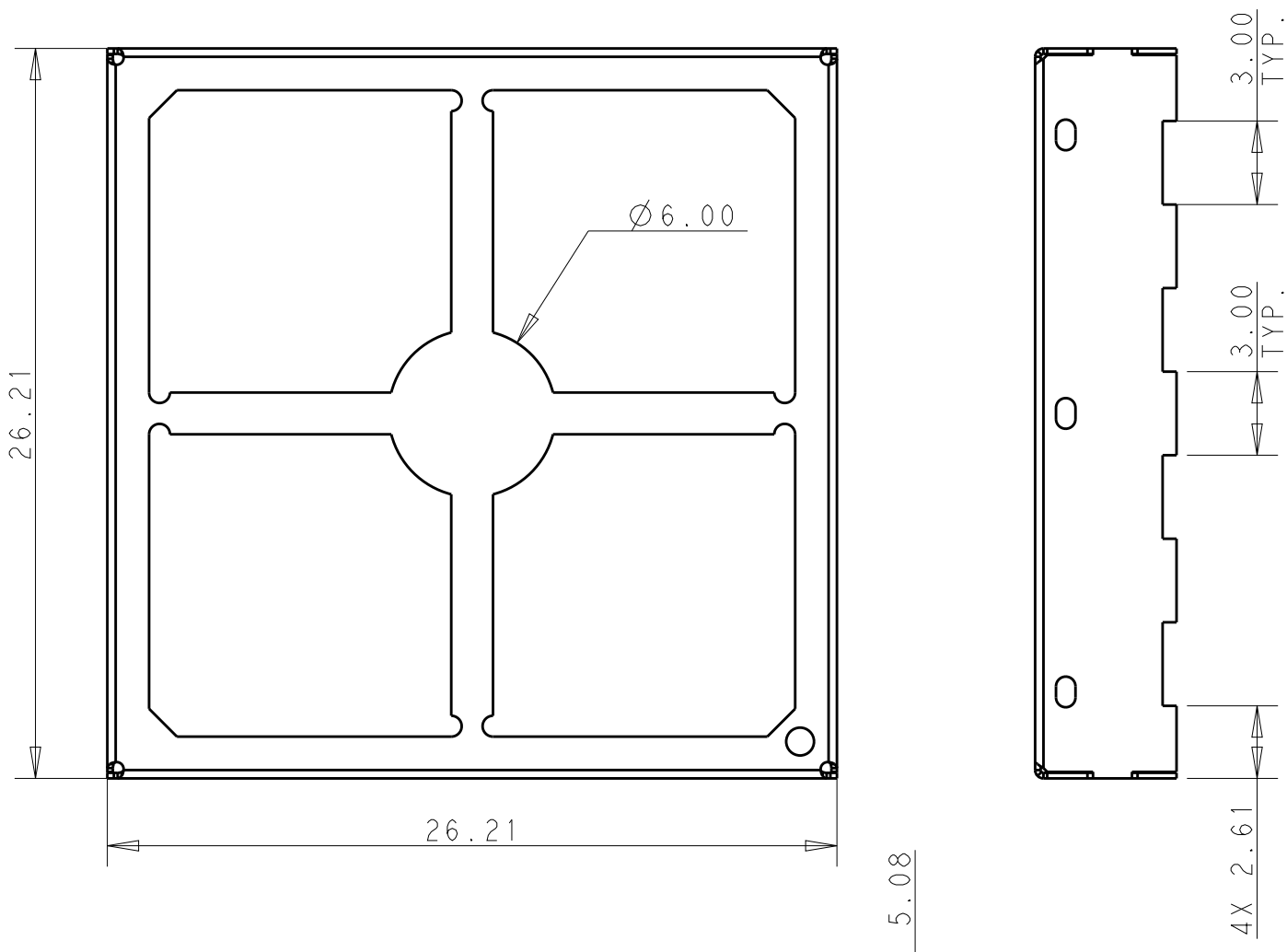
Email & Skype: info@chipsmall.com Web: www.chipsmall.com

Address: A1208, Overseas Decoration Building, #122 Zhenhua RD., Futian, Shenzhen, China



THIS DRAWING IS UNPUBLISHED. RELEASED FOR PUBLICATION 20
 © COPYRIGHT 20 BY - ALL RIGHTS RESERVED.

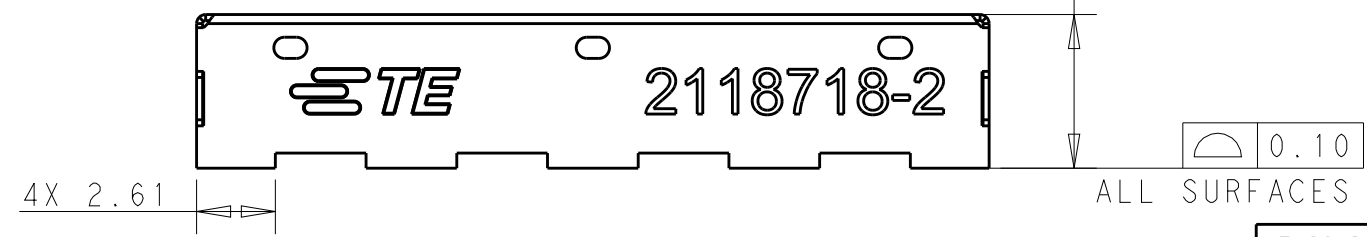
REVISIONS					
P	LTR	DESCRIPTION	DATE	DWN	APVD
2		ADD HOLE IN CORNER	01SEP2016	VL	SS
A		DRAWING RELEASED	21APR2017	VL	SS
A1		REVISED PER ECO-17-007644	26MAY2017	VL	SS
A2		REVISED PER ECO-17-013857	21SEP2017	SS	HL



SCALE 2:1

NOTES:

- 1 MATERIAL: 0.20mm CRS. 1,25 - 3.00µm MATTE TIN FINISH.
- 2 STAMPING BURR OUTSIDE OF PART, MAX 0.05mm.
- 3 PARTS TO BE FREE OF OIL AND CONTAMINENTS.
- 4 PART IS RoHS COMPLIANT PER TE CONNECTIVITY STANDARD TEC-138-702.
- 5 REFER TO 3D MODEL FOR UNSPECIFIED DIMENSIONS.
- 6 PACKAGING: TAPE AND REEL



6	2118718-2
PACKAGING	PART NUMBER

THIS DRAWING IS A CONTROLLED DOCUMENT.		DWN V. LAC 08APR2016	TE Connectivity				
DIMENSIONS: mm		CHK S. SU 21APR2017					
TOLERANCES UNLESS OTHERWISE SPECIFIED:		APVD V. LAC 21APR2017	NAME STANDARD SHIELD FRAME				
0 PLC ±0.20		PRODUCT SPEC 108-19493	SIZE A3	CAGE CODE -	DRAWING NO C-2118718	RESTRICTED TO -	
1 PLC ±0.15		APPLICATION SPEC 114-115014	WEIGHT -	SCALE 4:1	SHEET 1 OF 3	REV A2	
2 PLC ±0.10		MATERIAL 1	FINISH 1	CUSTOMER DRAWING			
3 PLC ±-							
4 PLC ANGLES ±- ±2							

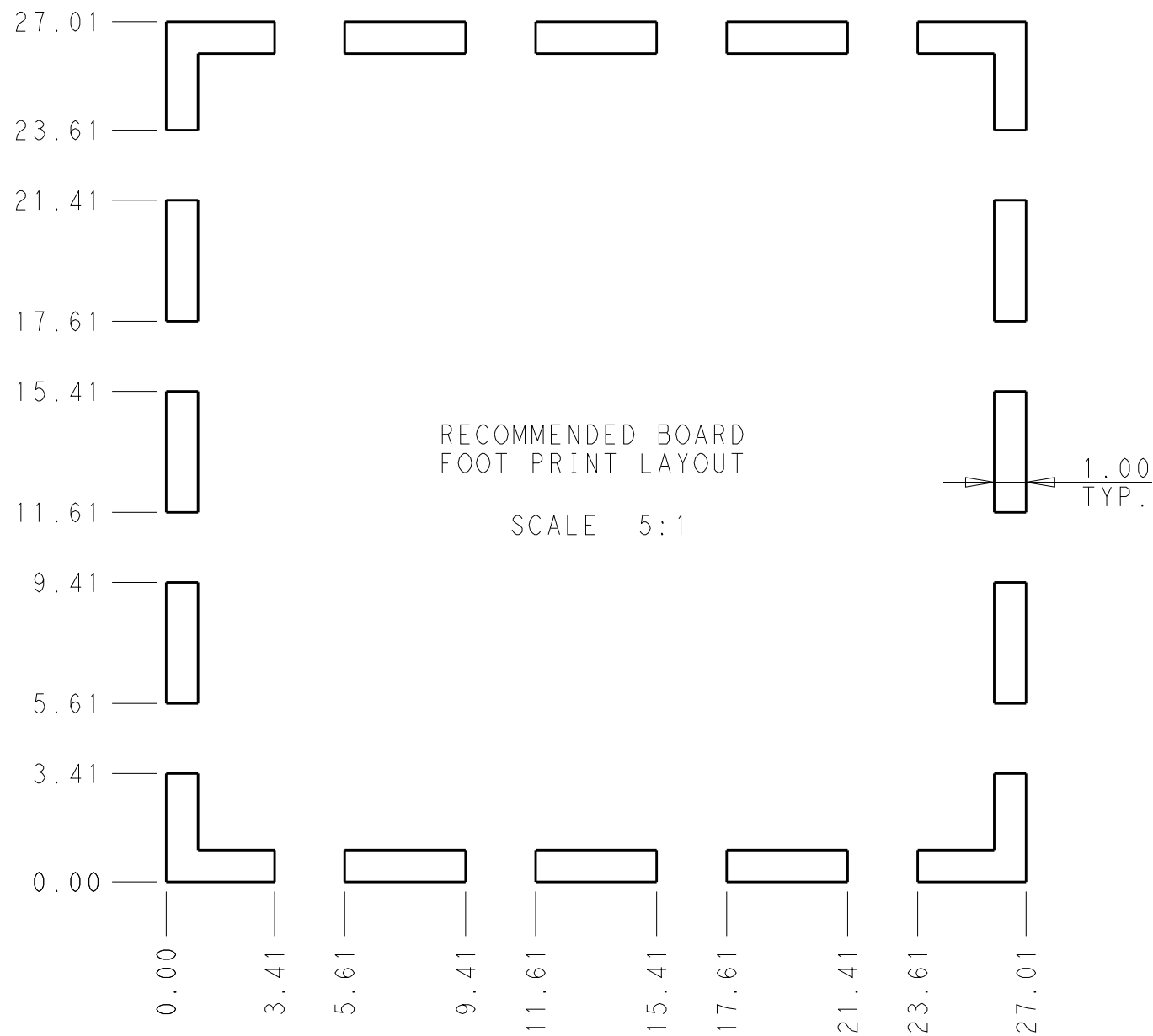
THIS DRAWING IS UNPUBLISHED.

RELEASED FOR PUBLICATION 20

© COPYRIGHT 20 BY - ALL RIGHTS RESERVED.

REVISIONS

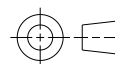
P	LTR	DESCRIPTION	DATE	DWN	APVD
-	-	SEE SHEET 1	-	-	-



NOTES:
7. STENCIL THICKNESS: 0.10mm MIN.

THIS DRAWING IS A CONTROLLED DOCUMENT.

DIMENSIONS:
mm



TOLERANCES UNLESS OTHERWISE SPECIFIED:

- 0 PLC ±0.20
- 1 PLC ±0.15
- 2 PLC ±0.10
- 3 PLC ±-
- 4 PLC ±-
- ANGLES ±2

MATERIAL

FINISH

DWN V. LAC 08APR2016

CHK S. SU 21APR2017

APVD V. LAC 21APR2017

PRODUCT SPEC 108-19493

APPLICATION SPEC 114-115014

WEIGHT -

CUSTOMER DRAWING



TE Connectivity

NAME STANDARD SHIELD FRAME

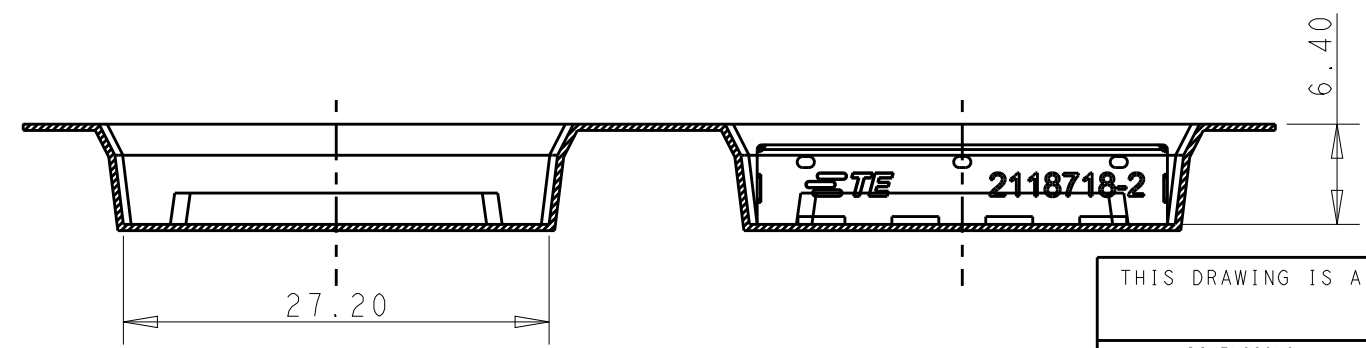
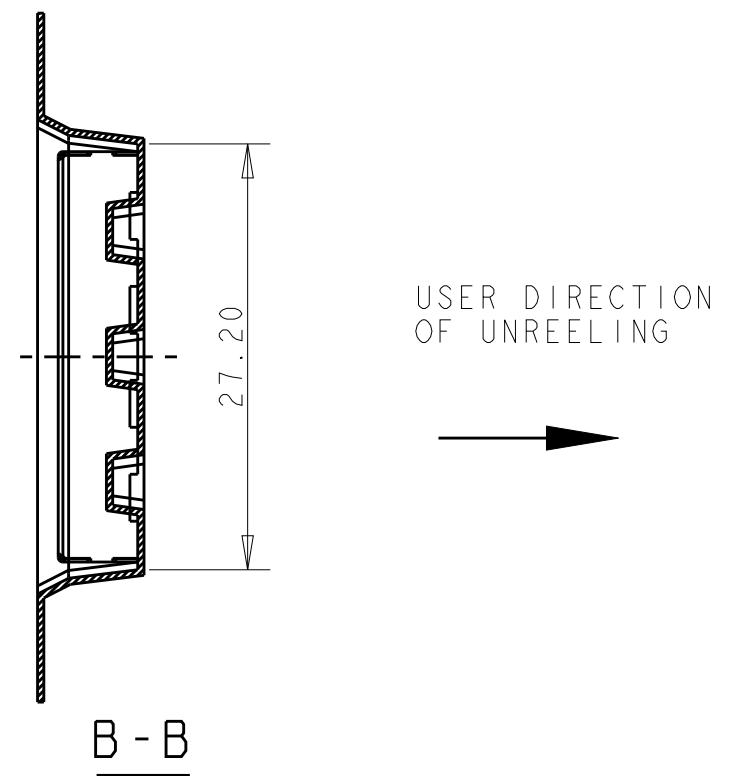
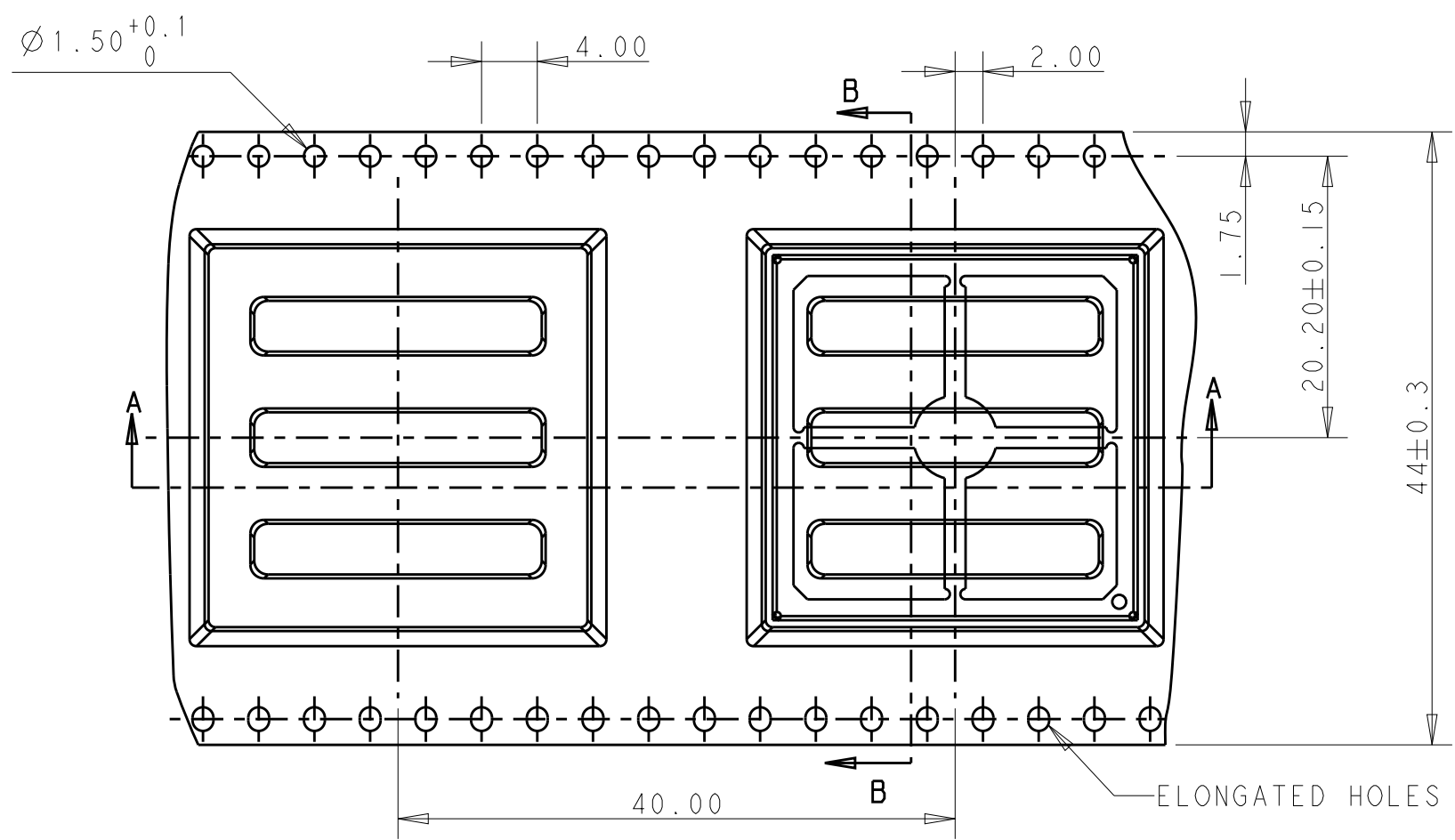
SIZE	CAGE CODE	DRAWING NO	RESTRICTED TO
------	-----------	------------	---------------

A3	-	C-2118718	-
----	---	-----------	---


SCALE 4:1	SHEET 2 OF 3	REV A2
-----------	--------------	--------

THIS DRAWING IS UNPUBLISHED. RELEASED FOR PUBLICATION 20
 © COPYRIGHT 20 BY - ALL RIGHTS RESERVED.

REVISIONS					
P	LTR	DESCRIPTION	DATE	DWN	APVD
-	-	SEE SHEET 1	-	-	-



- NOTES:
- 8. REEL SIZE: O.D. 380mm, I.D. 180mm
 - 9. QTY PER REEL: 280PCS

THIS DRAWING IS A CONTROLLED DOCUMENT.		DWN V. LAC 08APR2016	 TE Connectivity	
DIMENSIONS: mm		CHK S. SU 21APR2017		
TOLERANCES UNLESS OTHERWISE SPECIFIED:		APVD V. LAC 21APR2017	NAME STANDARD SHIELD FRAME	
0 PLC ±0.20		PRODUCT SPEC 108-19493	SIZE A3	
1 PLC ±0.15		APPLICATION SPEC 114-115014	CAGE CODE -	DRAWING NO C-2118718
2 PLC ±0.10		WEIGHT -	RESTRICTED TO -	
3 PLC ±-		CUSTOMER DRAWING	SCALE 4:1	SHEET 3 OF 3
4 PLC ±-				REV A2
ANGLES ±2				
FINISH -				