



Chipsmall Limited consists of a professional team with an average of over 10 year of expertise in the distribution of electronic components. Based in Hongkong, we have already established firm and mutual-benefit business relationships with customers from,Europe,America and south Asia,supplying obsolete and hard-to-find components to meet their specific needs.

With the principle of “Quality Parts,Customers Priority,Honest Operation,and Considerate Service”,our business mainly focus on the distribution of electronic components. Line cards we deal with include Microchip,ALPS,ROHM,Xilinx,Pulse,ON,Everlight and Freescale. Main products comprise IC,Modules,Potentiometer,IC Socket,Relay,Connector.Our parts cover such applications as commercial,industrial, and automotives areas.

We are looking forward to setting up business relationship with you and hope to provide you with the best service and solution. Let us make a better world for our industry!



Contact us

Tel: +86-755-8981 8866 Fax: +86-755-8427 6832

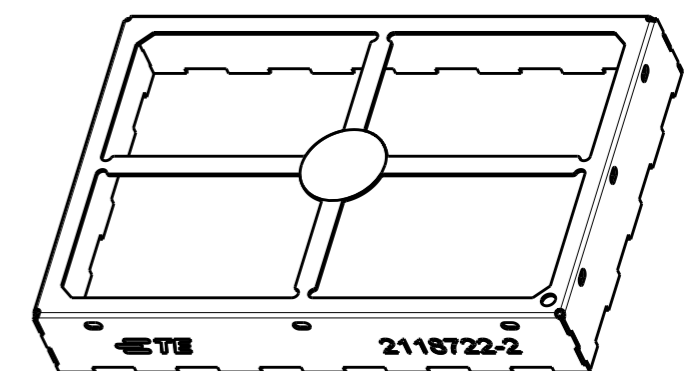
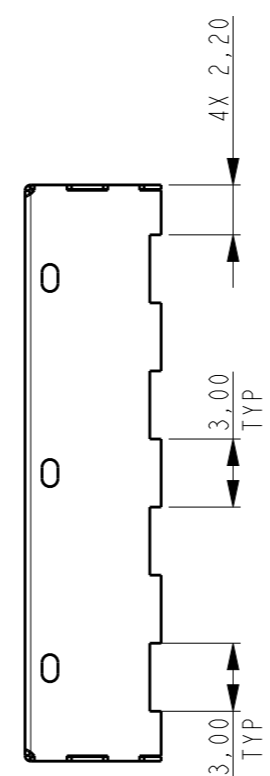
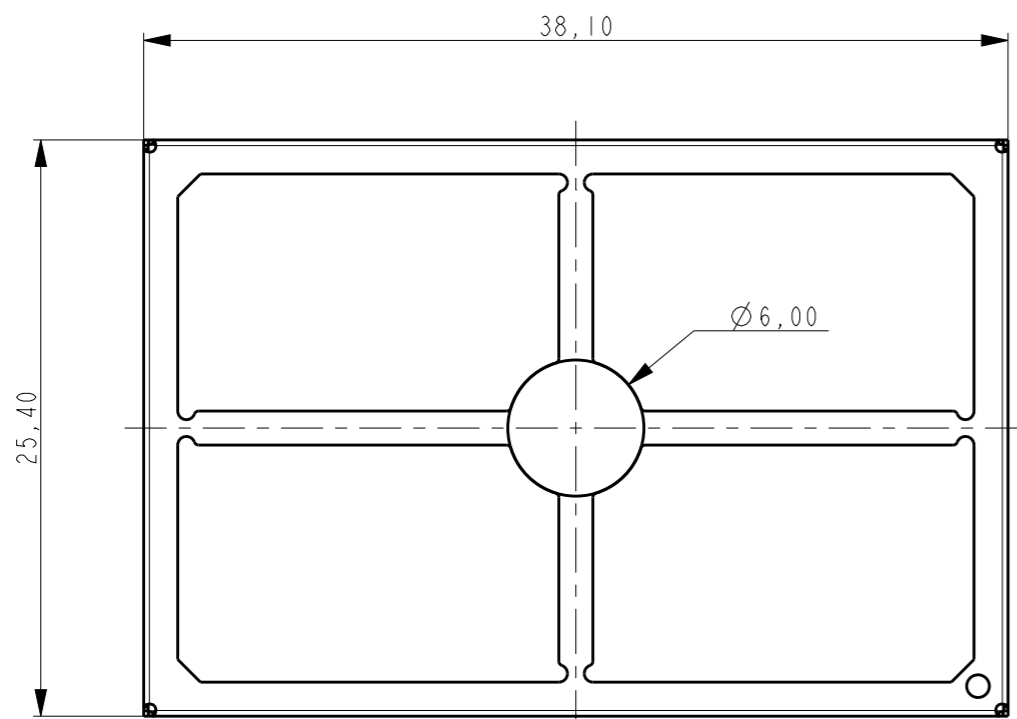
Email & Skype: info@chipsmall.com Web: www.chipsmall.com

Address: A1208, Overseas Decoration Building, #122 Zhenhua RD., Futian, Shenzhen, China



THIS DRAWING IS UNPUBLISHED. RELEASED FOR PUBLICATION
 © COPYRIGHT - BY TYCO ELECTRONICS CORPORATION. ALL RIGHTS RESERVED.

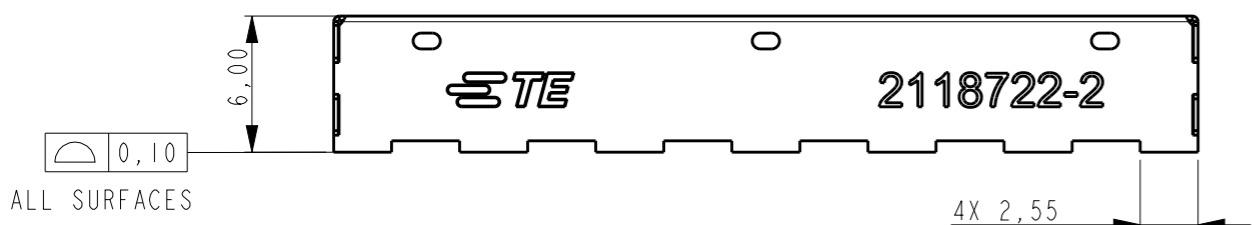
LOC	DIST	REVISIONS					
H	-	P	LTR	DESCRIPTION	DATE	DWN	APVD
			2	ADD HOLE IN CORNER	02SEP2016	SS	AL
			A	DRAWING RELEASED	24APR2017	VL	SS
			A1	REVISED PER ECO-17-007644	26MAY2017	VL	SS
			A2	REVISED PER ECO-17-013857	21SEP2017	SS	HL



SCALE 2:1

NOTES:

- 1 MATERIAL: 0.20mm CRS. 1,25 - 3.00µm MATTE TIN FINISH.
- 2 STAMPING BURR OUTSIDE OF PART, MAX 0.05mm.
- 3 PARTS TO BE FREE OF OIL AND CONTAMINENTS.
- 4 PART IS RoHS COMPLIANT PER TE CONNECTIVITY STANDARD TEC-138-702.
- 5 REFER TO 3D MODEL FOR UNSPECIFIED DIMENSIONS.
- 6 PACKAGING: TAPE AND REEL



6	2118722-2
PACKAGING	PART NUMBER

THIS DRAWING IS A CONTROLLED DOCUMENT. DIMENSIONING AND TOLERANCING PER ASME Y14.5M-2009.		DWN S. SU 05-APR-16	STE TE Connectivity			
DIMENSIONS: mm		CHK V. LAC 24APR2017				
TOLERANCES UNLESS OTHERWISE SPECIFIED:		APVD V. LAC 24APR2017	NAME STANDARD SHIELD FRAME			
0 PLC ±0.2		PRODUCT SPEC 108-19493				
1 PLC ±0.15		APPLICATION SPEC 114-115014	SIZE A3	CAGE CODE 00779	DRAWING NO C-2118722	RESTRICTED TO -
2 PLC ±0.10		WEIGHT -	SCALE 1:1		SHEET 1 OF 3	REV A2
3 PLC ±		CUSTOMER DRAWING				
4 PLC ±						
ANGLES ±2°						
MATERIAL 1 -						
FINISH 1 -						

THIS DRAWING IS UNPUBLISHED.

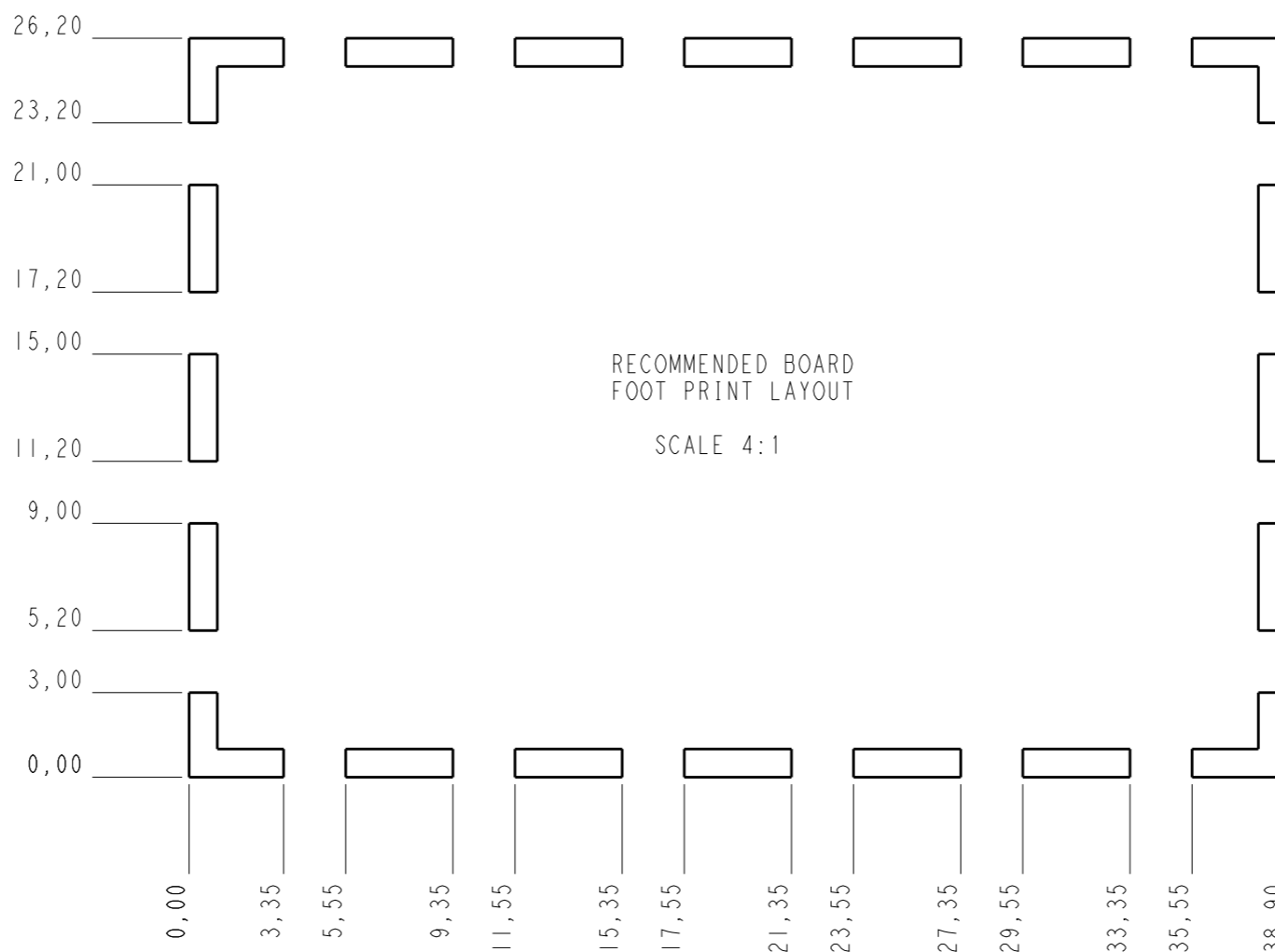
RELEASED FOR PUBLICATION

© COPYRIGHT - BY TYCO ELECTRONICS CORPORATION. ALL RIGHTS RESERVED.

LOC H DIST -

REVISIONS

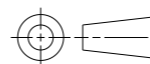
P	LTR	DESCRIPTION	DATE	DWN	APVD
-	-	SEE SHEET 1	-	-	-



NOTES:
7. STENCIL THICKNESS: 0.10mm MIN.

THIS DRAWING IS A CONTROLLED DOCUMENT.

DIMENSIONS:
mm



TOLERANCES UNLESS OTHERWISE SPECIFIED:

- 0 PLC ±0.2
- 1 PLC ±0.15
- 2 PLC ±0.10
- 3 PLC ±
- 4 PLC ±
- ANGLES ±2°

MATERIAL -

FINISH -

DWN S. SU 05-APR-16

CHK V. LAC 24APR2017

APVD V. LAC 24APR2017

PRODUCT SPEC 108-19493

APPLICATION SPEC 114-115014

WEIGHT -

CUSTOMER DRAWING



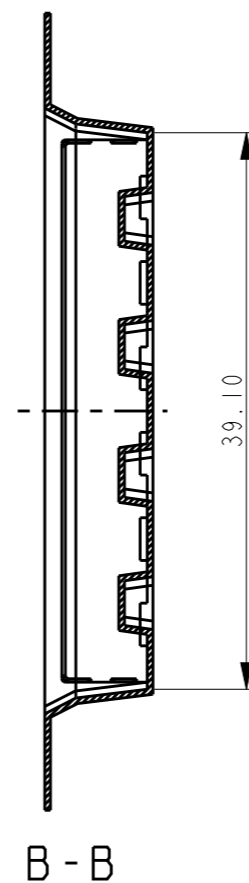
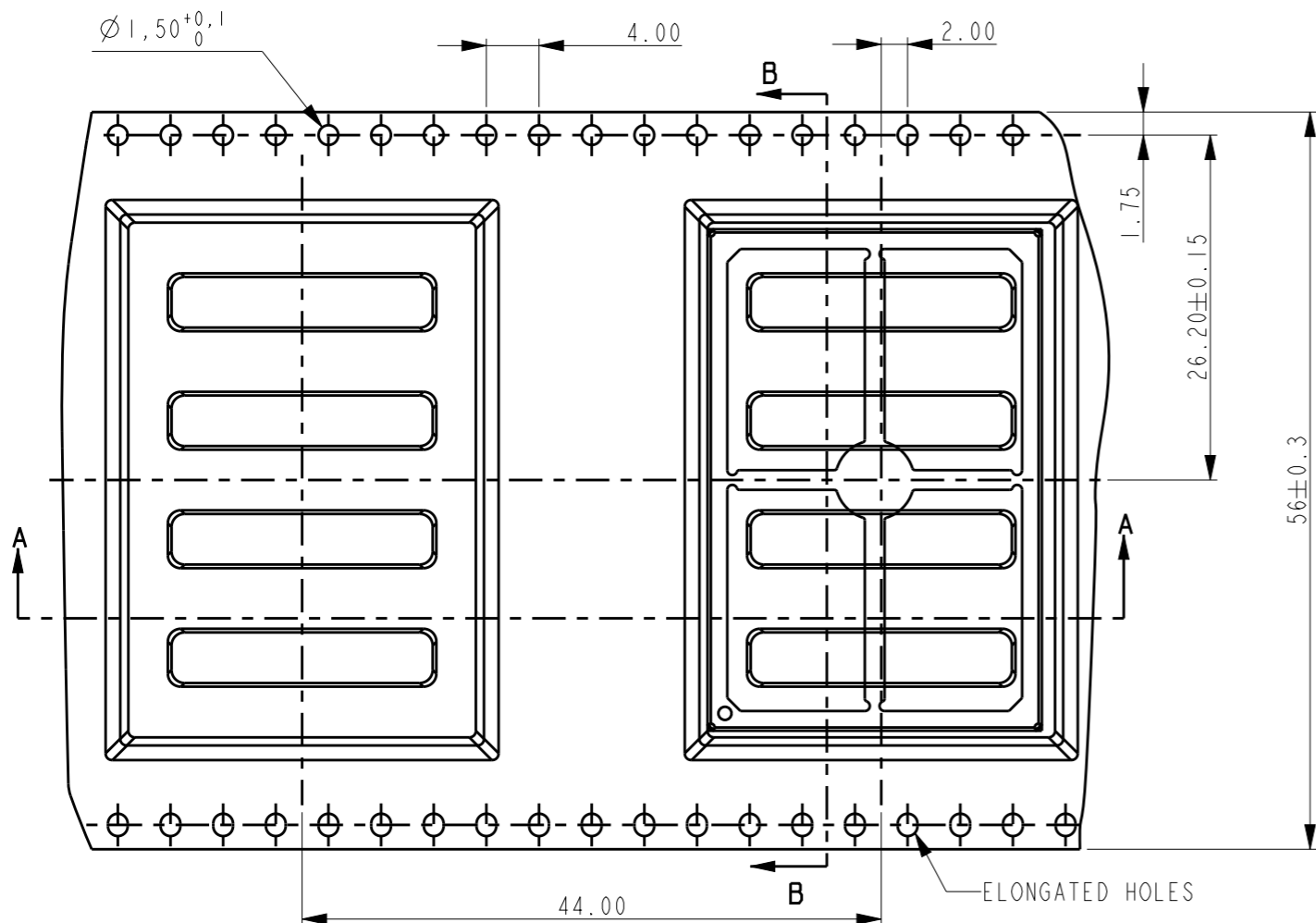
NAME STANDARD SHIELD FRAME

SIZE A3 CAGE CODE 00779 DRAWING NO C-2118722 RESTRICTED TO -

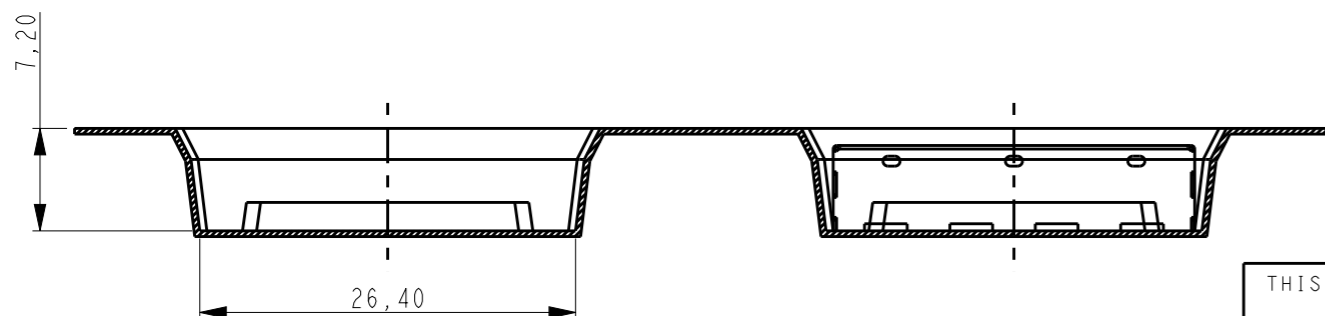
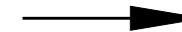
SCALE 1:1 SHEET 2 OF 3 REV A2

THIS DRAWING IS UNPUBLISHED. RELEASED FOR PUBLICATION
 © COPYRIGHT - BY TYCO ELECTRONICS CORPORATION. ALL RIGHTS RESERVED.

LOC	DIST	REVISIONS					
		P	LTR	DESCRIPTION	DATE	DWN	APVD
H	-	-	-	SEE SHEET 1	-	-	-




USER DIRECTION OF UNREELING



NOTES:

- 8. REEL SIZE: O.D. 380mm, I.D. 180mm
- 9. QTY PER REEL: 216PCS

THIS DRAWING IS A CONTROLLED DOCUMENT.		DWN S. SU 05-APR-16	 TE Connectivity	
DIMENSIONS: mm		CHK V. LAC 24APR2017		
TOLERANCES UNLESS OTHERWISE SPECIFIED:		APVD V. LAC 24APR2017	NAME STANDARD SHIELD FRAME	
0 PLC ± 0.2 1 PLC ± 0.15 2 PLC ± 0.10 3 PLC \pm 4 PLC \pm ANGLES $\pm 2^\circ$		PRODUCT SPEC 108-19493	SIZE CAGE CODE DRAWING NO RESTRICTED TO	
MATERIAL - FINISH -		APPLICATION SPEC 114-115014	A3 00779 C-2118722	
		WEIGHT -		
		CUSTOMER DRAWING	SCALE 1:1	SHEET 3 OF 3 REV A2