



Chipsmall Limited consists of a professional team with an average of over 10 year of expertise in the distribution of electronic components. Based in Hongkong, we have already established firm and mutual-benefit business relationships with customers from,Europe,America and south Asia,supplying obsolete and hard-to-find components to meet their specific needs.

With the principle of “Quality Parts,Customers Priority,Honest Operation,and Considerate Service”,our business mainly focus on the distribution of electronic components. Line cards we deal with include Microchip,ALPS,ROHM,Xilinx,Pulse,ON,Everlight and Freescale. Main products comprise IC,Modules,Potentiometer,IC Socket,Relay,Connector.Our parts cover such applications as commercial,industrial, and automotives areas.

We are looking forward to setting up business relationship with you and hope to provide you with the best service and solution. Let us make a better world for our industry!



Contact us

Tel: +86-755-8981 8866 Fax: +86-755-8427 6832

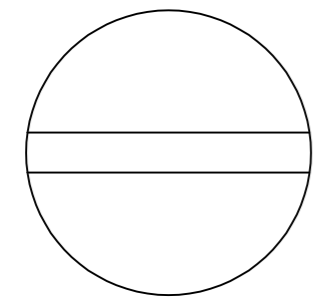
Email & Skype: info@chipsmall.com Web: www.chipsmall.com

Address: A1208, Overseas Decoration Building, #122 Zhenhua RD., Futian, Shenzhen, China

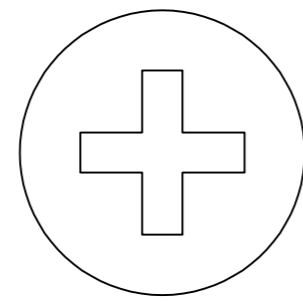


THIS DRAWING IS UNPUBLISHED. RELEASED FOR PUBLICATION
 © COPYRIGHT - By - ALL RIGHTS RESERVED.

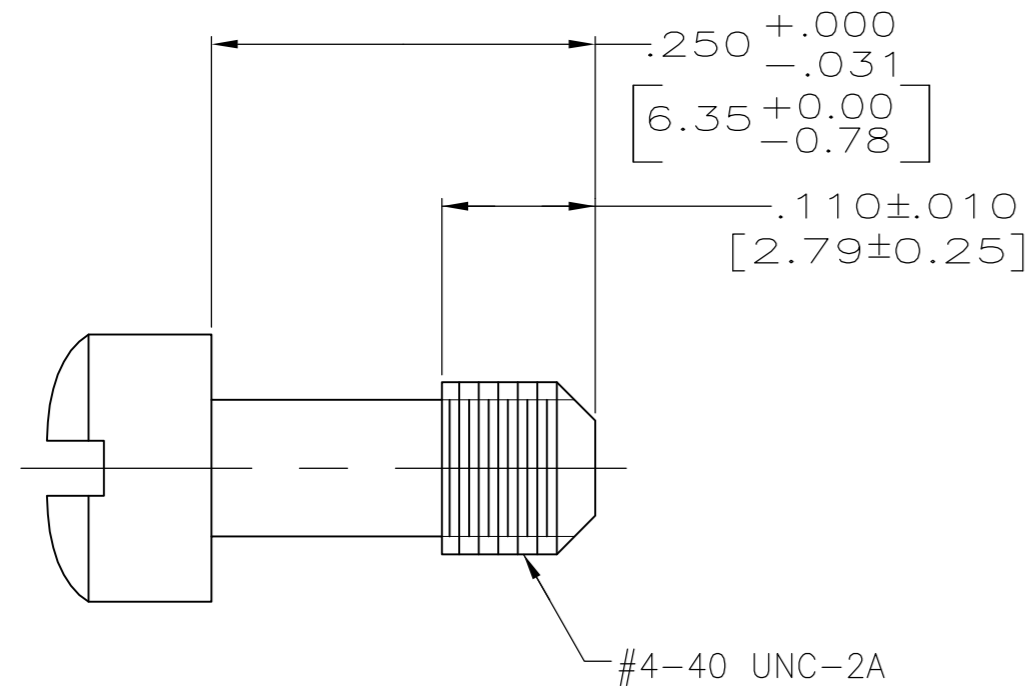
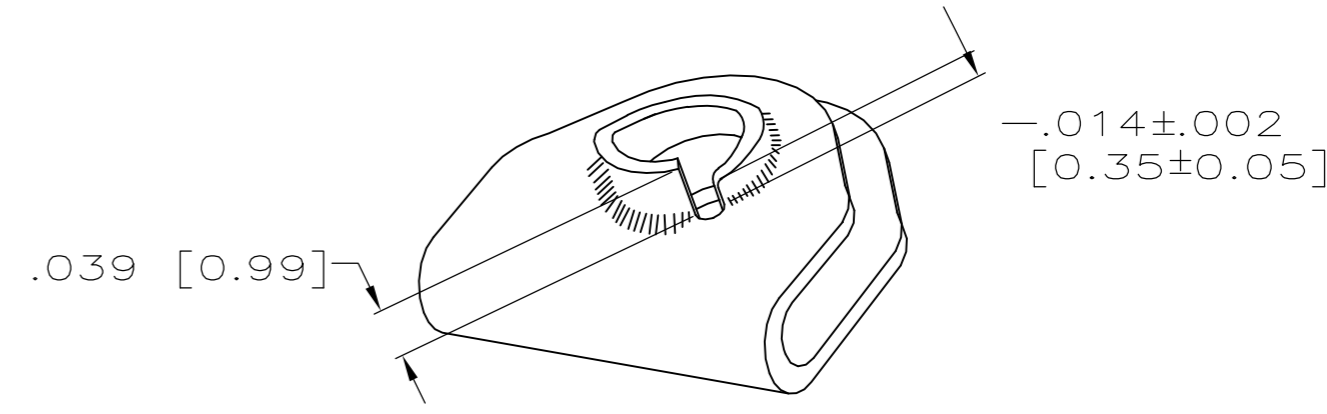
LOC		DIST		REVISIONS			
P	LTR	DESCRIPTION		DATE	DWN	APVD	
	F1	REVISED PER ECO-11-005030		11MAR11	RK	HMR	



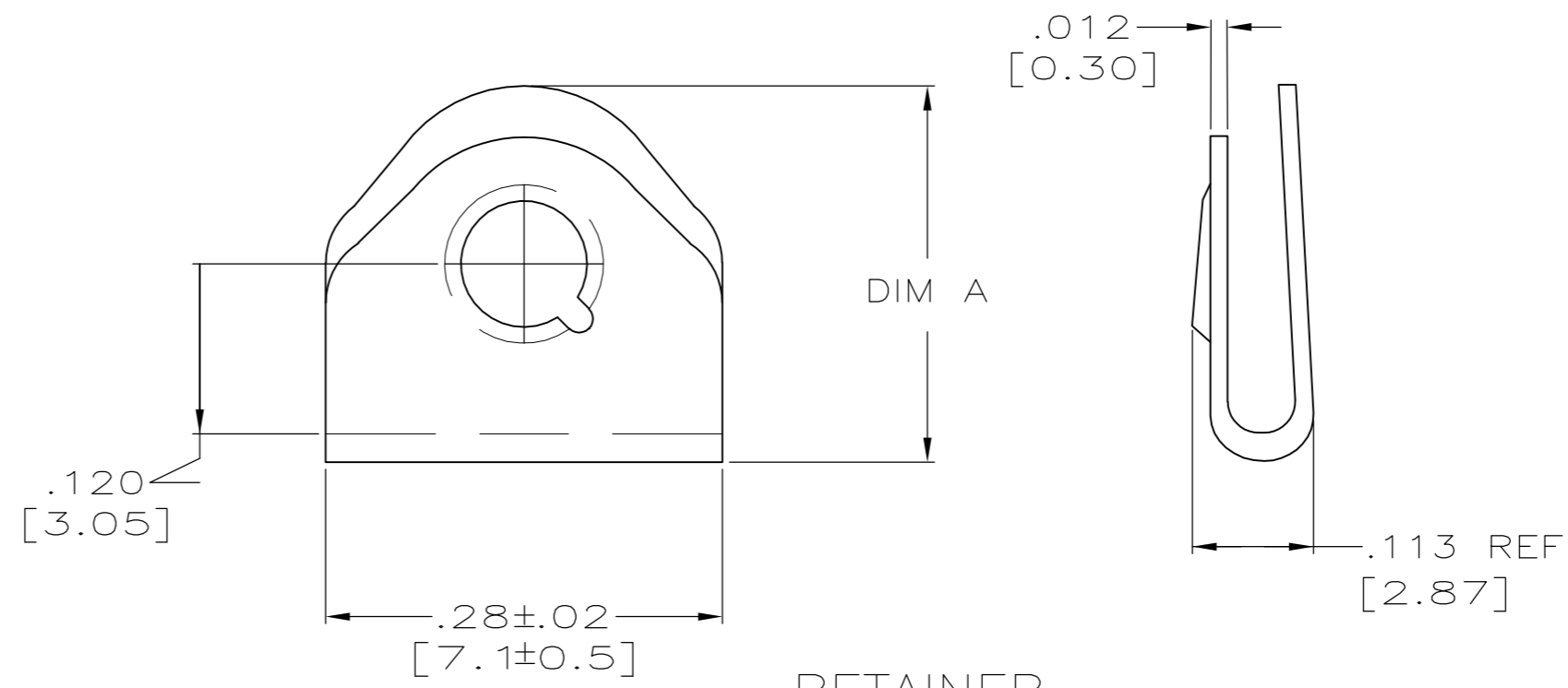
FILLISTER HEAD REF



PHILLIPS HEAD REF



SCREW, (TYPE; SEE TABLE)
 ① OR ③



RETAINER
 ② OR ④

- ① MAT'L: STAINLESS STEEL PER ASTM-A-582
FINISH: PASSIVATED PER SAE-AMS-2700
 - ② MAT'L: STAINLESS STEEL PER QQ-S-766
FINISH: PASSIVATED PER SAE-AMS-2700
 - ③ MAT'L: BRASS PER ASTM-B-16
FINISH: GOLD PLATE PER ASTM-B-488
OVER COPPER PER MIL-C-14550
 - ④ MAT'L: BeCu PER QQ-C-530
FINISH: GOLD PLATE PER ASTM-B-488
OVER COPPER PER MIL-C-14550
5. PARTS ARE PACKAGED UNASSEMBLED.

PHILLIPS HEAD	.240±.010 [6.10±0.25]	-	AS SHOWN ① ②	211883-7
FILLISTER HEAD	.240±.010 [6.10±0.25]	-	AS SHOWN ① ②	211883-6
FILLISTER HEAD	.265±.015 [6.73±0.38]	M24308/25-6P	AS SHOWN ① ②	211883-5
FILLISTER HEAD	.265±.015 [6.73±0.38]	-	AS SHOWN ③ ④	211883-1
SCREW HEAD TYPE	DIM A	MILITARY PART NO	DESCRIPTION	PART NO.

THIS DRAWING IS A CONTROLLED DOCUMENT.

DWN	C.C.THOMAS	2-11-03
CHK	D.MILLER	2-11-03
APVD	D.MILLER	2-11-03
PRODUCT SPEC		
APPLICATION SPEC		
WEIGHT	-	
CUSTOMER DRAWING		

TE Connectivity

NAME: SCREW-LOCK ASSEMBLY, MALE, AMPLIMITE, KIT

SIZE	A2	CAGE CODE	00779	DRAWING NO	C-211883	RESTRICTED TO	-
SCALE	8:1	SHEET	1 of 1	REV	F1		