



Chipsmall Limited consists of a professional team with an average of over 10 year of expertise in the distribution of electronic components. Based in Hongkong, we have already established firm and mutual-benefit business relationships with customers from,Europe,America and south Asia,supplying obsolete and hard-to-find components to meet their specific needs.

With the principle of “Quality Parts,Customers Priority,Honest Operation,and Considerate Service”,our business mainly focus on the distribution of electronic components. Line cards we deal with include Microchip,ALPS,ROHM,Xilinx,Pulse,ON,Everlight and Freescale. Main products comprise IC,Modules,Potentiometer,IC Socket,Relay,Connector.Our parts cover such applications as commercial,industrial, and automotives areas.

We are looking forward to setting up business relationship with you and hope to provide you with the best service and solution. Let us make a better world for our industry!



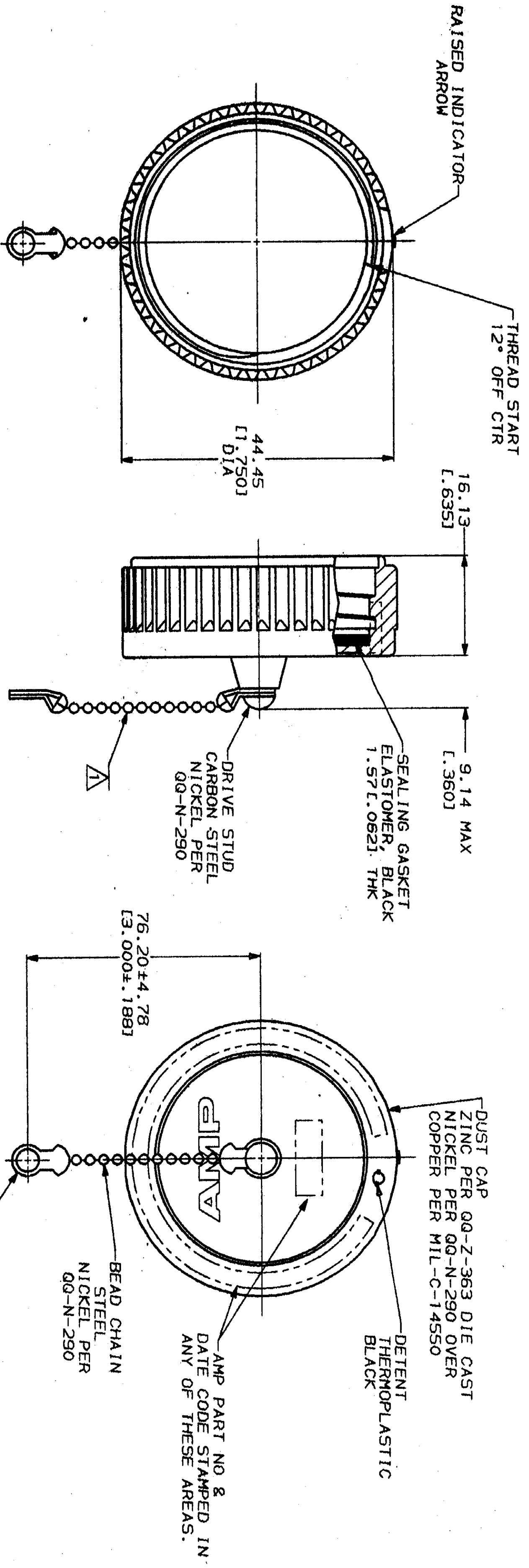
Contact us

Tel: +86-755-8981 8866 Fax: +86-755-8427 6832

Email & Skype: info@chipsmall.com Web: www.chipsmall.com

Address: A1208, Overseas Decoration Building, #122 Zhenhua RD., Futian, Shenzhen, China





△ BEADED PORTION OF CHAIN MUST ROTATE FREELY. THE EYELET OF THE CHAIN IS NOT REQUIRED TO SPIN FREELY AROUND THE STUD.

DO NOT SCALE PRINT. UNLESS SPECIFIED DIMENSIONS IN [INCHES] TOLERANCES ON: 2 P.L.C DEC ± 0.25(.010) 3 P.L.C DEC ± . ANGLES ± .		DR 08/13/91 R. SHINEY	9-11-91	AMP AMP Incorporated Harrisburg, PA 17105-3608	
MATERIAL SEE CALLOUTS		APPD K. Blawie	9-17-91	NAME PROTECTIVE CAP ASSEMBLY, SIZE 22, CMC	
FINISH SEE CALLOUTS		APPD G. Jackson	9/14/91	SIZE C 00779	DRAWING NO 211903
WEIGHT		PRODUCT SPEC	SCALE 2:1	SHEET 1 OF 1	

CUSTOMER DRAWING