



Chipsmall Limited consists of a professional team with an average of over 10 year of expertise in the distribution of electronic components. Based in Hongkong, we have already established firm and mutual-benefit business relationships with customers from,Europe,America and south Asia,supplying obsolete and hard-to-find components to meet their specific needs.

With the principle of “Quality Parts,Customers Priority,Honest Operation,and Considerate Service”,our business mainly focus on the distribution of electronic components. Line cards we deal with include Microchip,ALPS,ROHM,Xilinx,Pulse,ON,Everlight and Freescale. Main products comprise IC,Modules,Potentiometer,IC Socket,Relay,Connector.Our parts cover such applications as commercial,industrial, and automotives areas.

We are looking forward to setting up business relationship with you and hope to provide you with the best service and solution. Let us make a better world for our industry!



Contact us

Tel: +86-755-8981 8866 Fax: +86-755-8427 6832

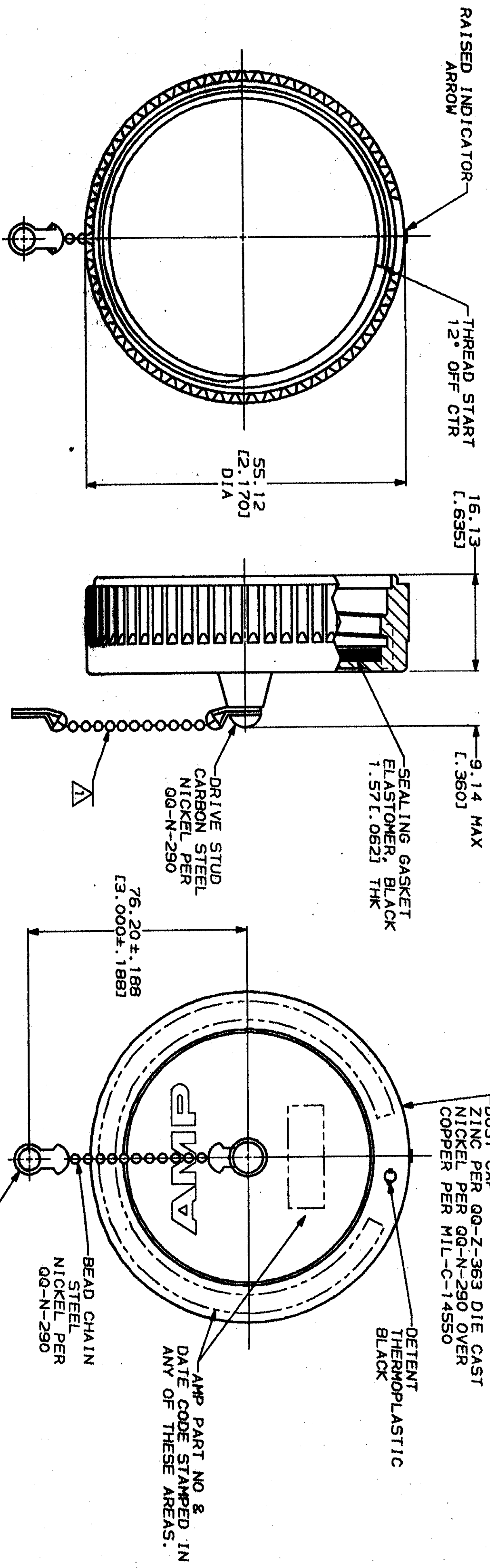
Email & Skype: info@chipsmall.com Web: www.chipsmall.com

Address: A1208, Overseas Decoration Building, #122 Zhenhua RD., Futian, Shenzhen, China



DRAWING MADE IN THIRD ANGLE PROJECTION
 THIS DRAWING IS UNCLASSIFIED
 DATE 08/13/91 BY AMP INCORPORATED, ALL INFORMATION IS UNCLASSIFIED

REV	NO	DATE	APPD	DESCRIPTION
23	BD 39			REVISION & REV ECH B05241



△ BEADED PORTION OF CHAIN MUST ROTATE FREELY. THE EYELET OF THE CHAIN IS NOT REQUIRED TO SPIN FREELY AROUND THE STUD.

DO NOT SCALE PRINT. UNLESS SPECIFIED DIMENSIONS IN MM (INCHES) TOLERANCES ON 1. 2 PLC DEC ± 0.25 [L.010] 3 PLC DEC ± . 1 ANGLES		DR 08/13/91 R. SHIREY	AMP	AMP Incorporated Harrisburg, PA 17105-3608
MATERIAL		CHK R. Shaw 9-5-91	NAME	
SEE CALLOUTS		APPD K. Blawie 9-17-91	PROTECTIVE CAP ASSEMBLY, SIZE 28, CMC	
SEE CALLOUTS		APPD J. Johnson 9/19/91	PART NO 211904-1	
FINISH		PRODUCT SPEC	SIZE	CAGE CODE
SEE CALLOUTS		APPLICATION SPEC	SCALE	DRAWING NO
WEIGHT		SCALE 2:1	00779	211904
			SHEET	1 OF 1

CUSTOMER DRAWING