



Chipsmall Limited consists of a professional team with an average of over 10 year of expertise in the distribution of electronic components. Based in Hongkong, we have already established firm and mutual-benefit business relationships with customers from,Europe,America and south Asia,supplying obsolete and hard-to-find components to meet their specific needs.

With the principle of “Quality Parts,Customers Priority,Honest Operation,and Considerate Service”,our business mainly focus on the distribution of electronic components. Line cards we deal with include Microchip,ALPS,ROHM,Xilinx,Pulse,ON,Everlight and Freescale. Main products comprise IC,Modules,Potentiometer,IC Socket,Relay,Connector.Our parts cover such applications as commercial,industrial, and automotives areas.

We are looking forward to setting up business relationship with you and hope to provide you with the best service and solution. Let us make a better world for our industry!



## Contact us

Tel: +86-755-8981 8866 Fax: +86-755-8427 6832

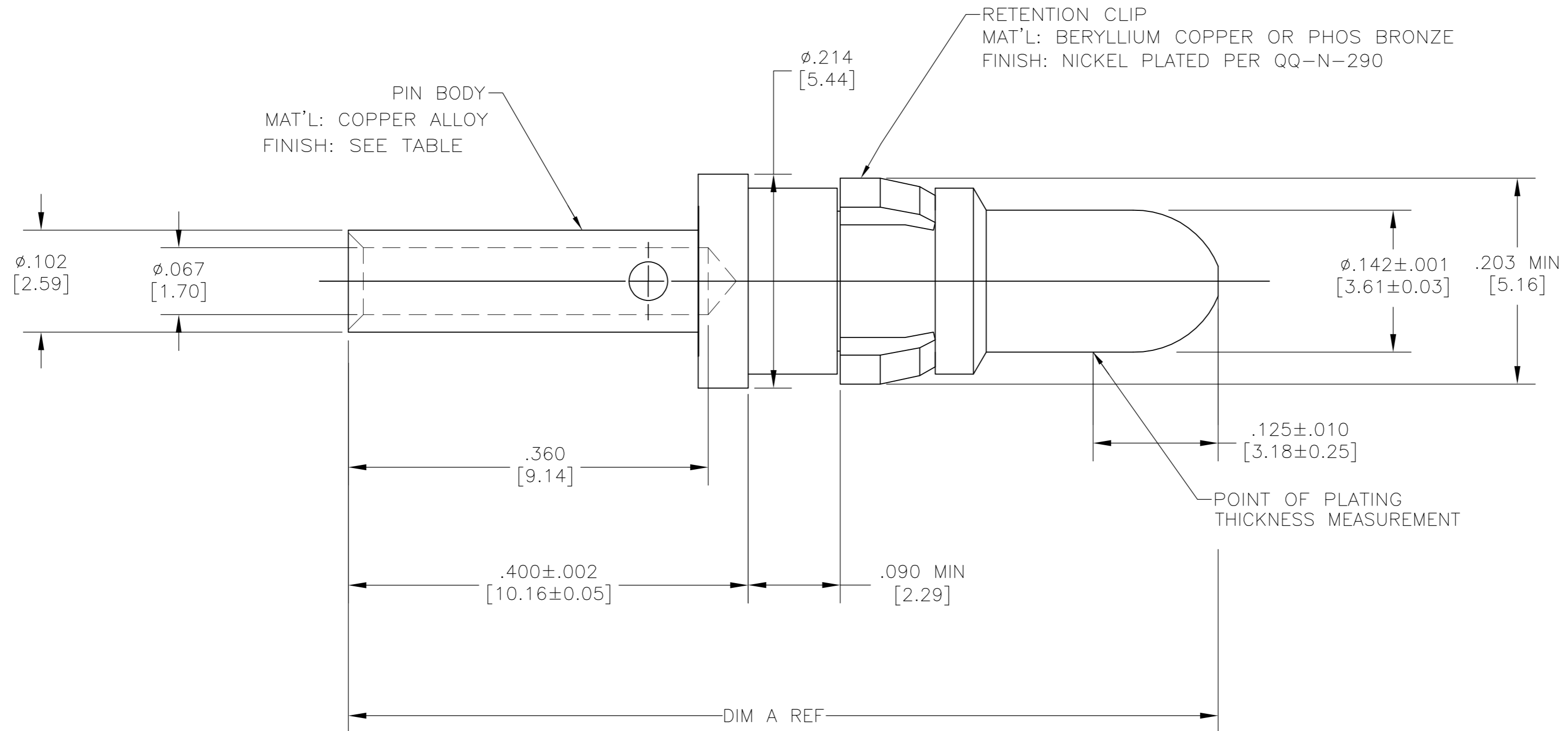
Email & Skype: info@chipsmall.com Web: www.chipsmall.com

Address: A1208, Overseas Decoration Building, #122 Zhenhua RD., Futian, Shenzhen, China



THIS DRAWING IS UNPUBLISHED. RELEASED FOR PUBLICATION  
 © COPYRIGHT BY TYCO ELECTRONICS CORPORATION. ALL RIGHTS RESERVED.

LOC		DIST		REVISIONS			
P	LTR	DESCRIPTION	DATE	DWN	APVD		
	J	REV PER ECO 09-011649	5-13-09	CT	RL		



- THIS PART CONFORMS TO REQUIREMENTS FOR DANIELS CRIMP TOOL NO. FT8, WITH DANIELS POSITIONER PART NO. TP731, STRIP LENGTH .375, #16 AWG SETTING 8, #18 AWG SETTING 6.
- MATES WITH 212014-1 IN AMPLIMITE CONNECTOR ASSEMBLIES ONLY.
- FINISH: PLATED GOLD .000050 [0.00127] MIN THK PER MIL-G-45204 OVER NICKEL .000050 [0.00127] MIN THK PER QQ-N-290.
- FINISH: PLATED GOLD .000030 [0.00076] MIN THK PER MIL-G-45204 OVER NICKEL .000050 [0.00127] MIN THK PER QQ-N-290.
- WIRE BARREL WILL ACCEPT #16-#18 AWG WIRE.
- NOT FOR GENERAL DISTRIBUTION; ONLY TO BE USED IN IBM BLUE GENE CONNECTOR ASSEMBLIES.

PRELIMINARY- NOT RELEASED FOR PRODUCTION	.948 [24.08]	6	3	212013-3
PRELIMINARY- NOT RELEASED FOR PRODUCTION	.870 [22.10]	2	4	212013-2
	.870 [22.10]	2	3	212013-1
	DIM A	REMARKS	FINISH	PART NUMBER

THIS DRAWING IS A CONTROLLED DOCUMENT.		DWN	C.C.THOMAS	11/10/00	Tyco Electronics Corporation Harrisburg, Pa 17105-3608
DIMENSIONS: INCHES		CHK	D.MILLER	11/10/00	
TOLERANCES UNLESS OTHERWISE SPECIFIED:		APVD	D.MILLER	11/10/00	
0 PLC ± - 1 PLC ± - 2 PLC ± - 3 PLC ± .005 [0.13] 4 PLC ± - ANGLES ± - FINISH SEE TABLE		PRODUCT SPEC	108-10045		
MATERIAL SEE CALLOUTS		APPLICATION SPEC	114-10014		NAME
		WEIGHT	-		ASSEMBLY, PIN CONTACT POWER VIII, #16 & #18 AWG
		CUSTOMER DRAWING	SCALE	10:1	RESTRICTED TO
			SHEET	1 OF 1	
			REV	J	