



Chipsmall Limited consists of a professional team with an average of over 10 year of expertise in the distribution of electronic components. Based in Hongkong, we have already established firm and mutual-benefit business relationships with customers from,Europe,America and south Asia,supplying obsolete and hard-to-find components to meet their specific needs.

With the principle of “Quality Parts,Customers Priority,Honest Operation,and Considerate Service”,our business mainly focus on the distribution of electronic components. Line cards we deal with include Microchip,ALPS,ROHM,Xilinx,Pulse,ON,Everlight and Freescale. Main products comprise IC,Modules,Potentiometer,IC Socket,Relay,Connector.Our parts cover such applications as commercial,industrial, and automotives areas.

We are looking forward to setting up business relationship with you and hope to provide you with the best service and solution. Let us make a better world for our industry!



Contact us

Tel: +86-755-8981 8866 Fax: +86-755-8427 6832

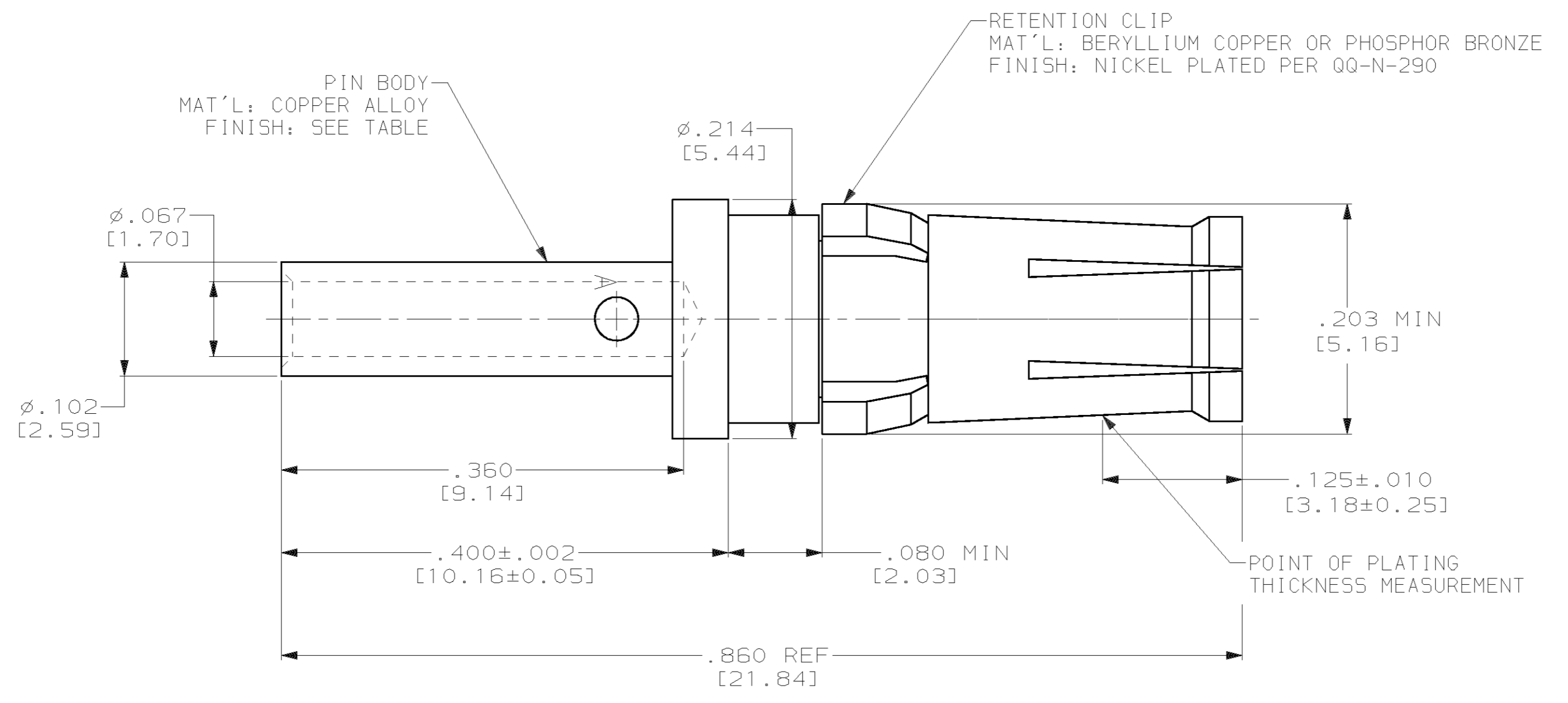
Email & Skype: info@chipsmall.com Web: www.chipsmall.com

Address: A1208, Overseas Decoration Building, #122 Zhenhua RD., Futian, Shenzhen, China



THIS DRAWING IS UNPUBLISHED. RELEASED FOR PUBLICATION
 (C) COPYRIGHT 19 BY AMP INCORPORATED. ALL RIGHTS RESERVED.

LOC	DIST	REVISIONS					
DF	DO	P	LTR	DESCRIPTION	DATE	DWN	APVD
		G		REV PER 063D-0520-00	7-03	CT	DM



- THIS PART CONFORMS TO REQUIREMENTS FOR DANIELS CRIMP TOOL NO. FT8, WITH DANIELS POSITIONER PART NO. TP731, STRIP LENGTH .375, #16 AWG SETTING 8, #18 AWG SETTING 6.
- MATES WITH 212013-1 IN AMPLIMITE CONNECTOR ASSEMBLIES ONLY.
- FINISH: PLATED GOLD .000050 [0.00127] MIN THK PER MIL-G-45204 OVER NICKEL .000050 [0.00127] MIN THK PER QQ-N-290.
- FINISH: PLATED GOLD .000030 [0.00076] MIN THK PER MIL-G-45204 OVER NICKEL .000050 [0.00127] MIN THK PER QQ-N-290.
- WIRE BARREL WILL ACCEPT #16-#18 AWG WIRE.

PRELIMINARY NOT RELEASED FOR PRODUCTION	4	212014-2
	3	212014-1
	FINISH	PART NUMBER

THIS DRAWING IS A CONTROLLED DOCUMENT.		DWN	C.C. THOMAS	11/10/00	AMP Incorporated Harrisburg, PA 17105-3608
DIMENSIONS: INCHES [mm]		CHK	D. MILLER	11/10/00	
TOLERANCES UNLESS OTHERWISE SPECIFIED:		APVD	D. MILLER	11/10/00	
0 PLC \pm - 1 PLC \pm - 2 PLC \pm - 3 PLC $\pm .005$ [0.13] 4 PLC \pm - ANGLES \pm -		NAME	ASSEMBLY, SOCKET CONTACT POWER VIII, #16 & #18 AWG		
MATERIAL: SEE CALLOUTS		FINISH	SEE TABLE		RESTRICTED TO
CUSTOMER DRAWING		WEIGHT	-		SCALE
		SIZE	A2	00779	C- 212014
		APPLICATION SPEC	108-10045		SHEET
		PRODUCT SPEC	114-10014		1 OF 1
		SCALE	10:1		REV
		DRAWING NO	212014		G