



Chipsmall Limited consists of a professional team with an average of over 10 year of expertise in the distribution of electronic components. Based in Hongkong, we have already established firm and mutual-benefit business relationships with customers from,Europe,America and south Asia,supplying obsolete and hard-to-find components to meet their specific needs.

With the principle of "Quality Parts,Customers Priority,Honest Operation,and Considerate Service",our business mainly focus on the distribution of electronic components. Line cards we deal with include Microchip,ALPS,ROHM,Xilinx,Pulse,ON,Everlight and Freescale. Main products comprise IC,Modules,Potentiometer,IC Socket,Relay,Connector.Our parts cover such applications as commercial,industrial, and automotives areas.

We are looking forward to setting up business relationship with you and hope to provide you with the best service and solution. Let us make a better world for our industry!



Contact us

Tel: +86-755-8981 8866 Fax: +86-755-8427 6832

Email & Skype: info@chipsmall.com Web: www.chipsmall.com

Address: A1208, Overseas Decoration Building, #122 Zhenhua RD., Futian, Shenzhen, China

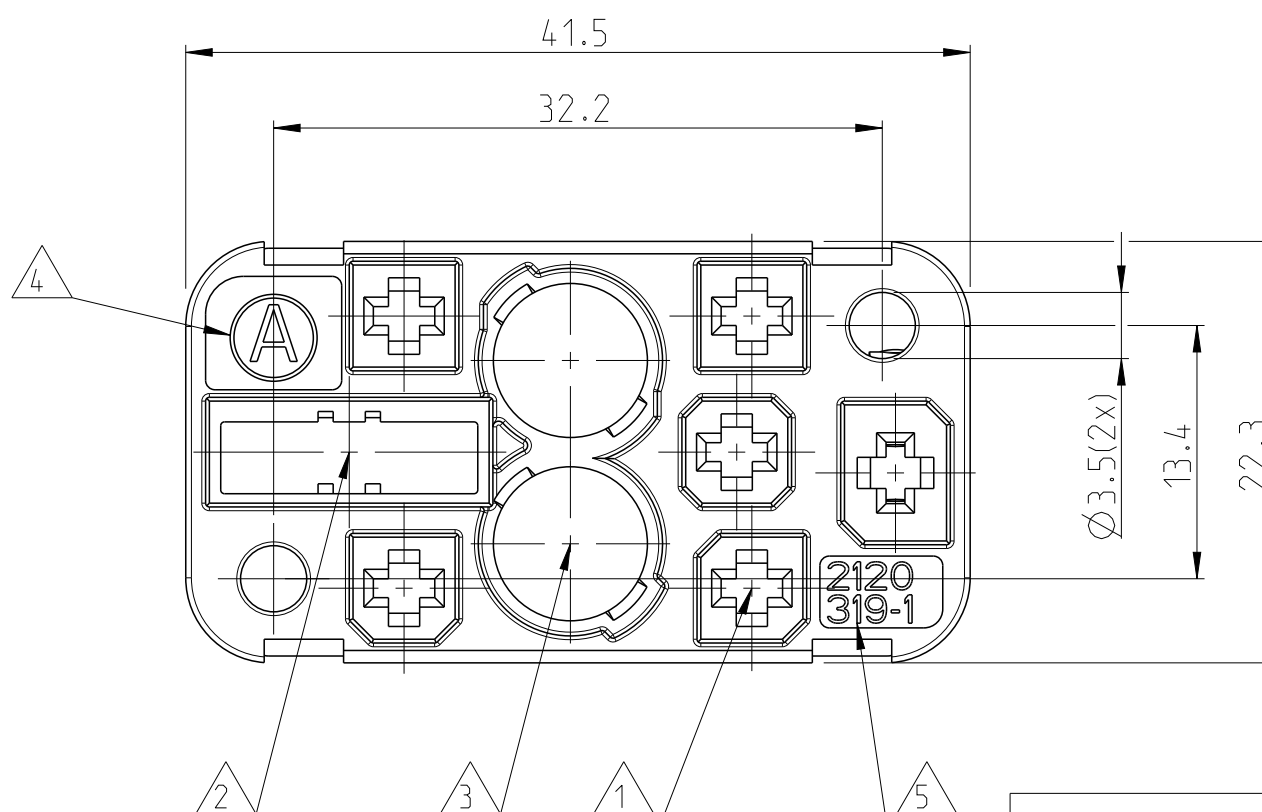
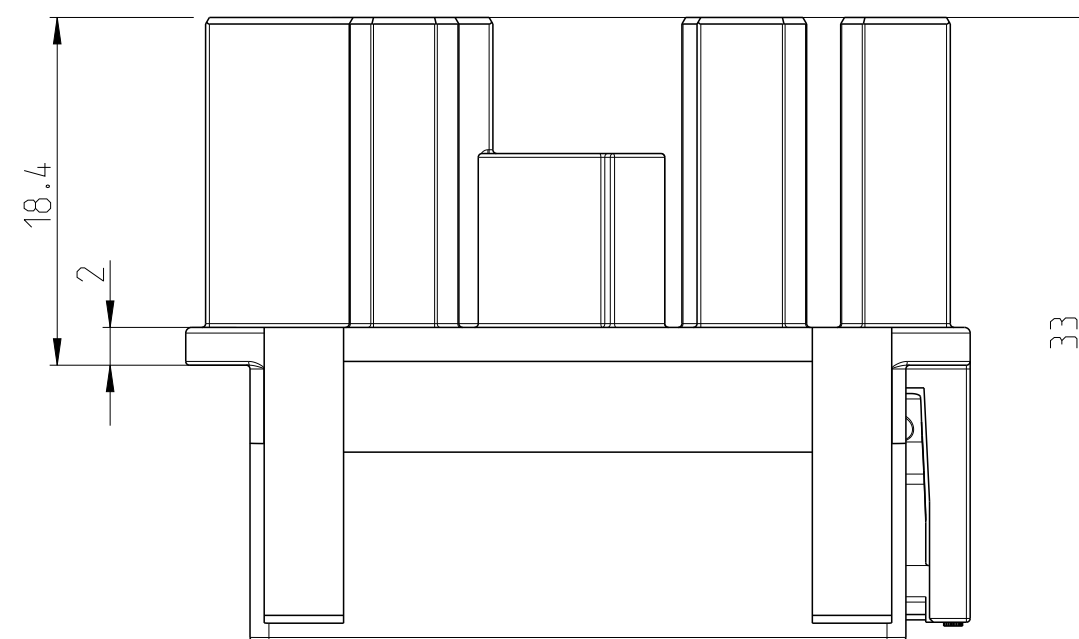
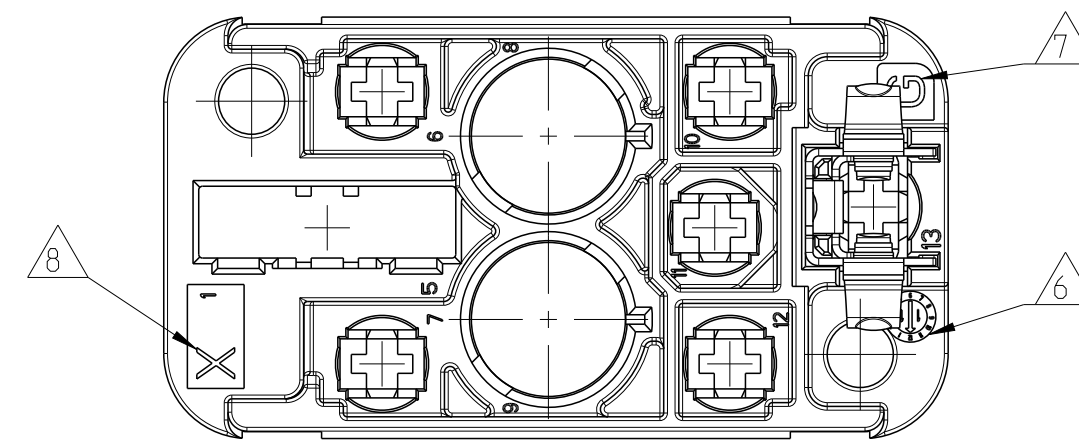
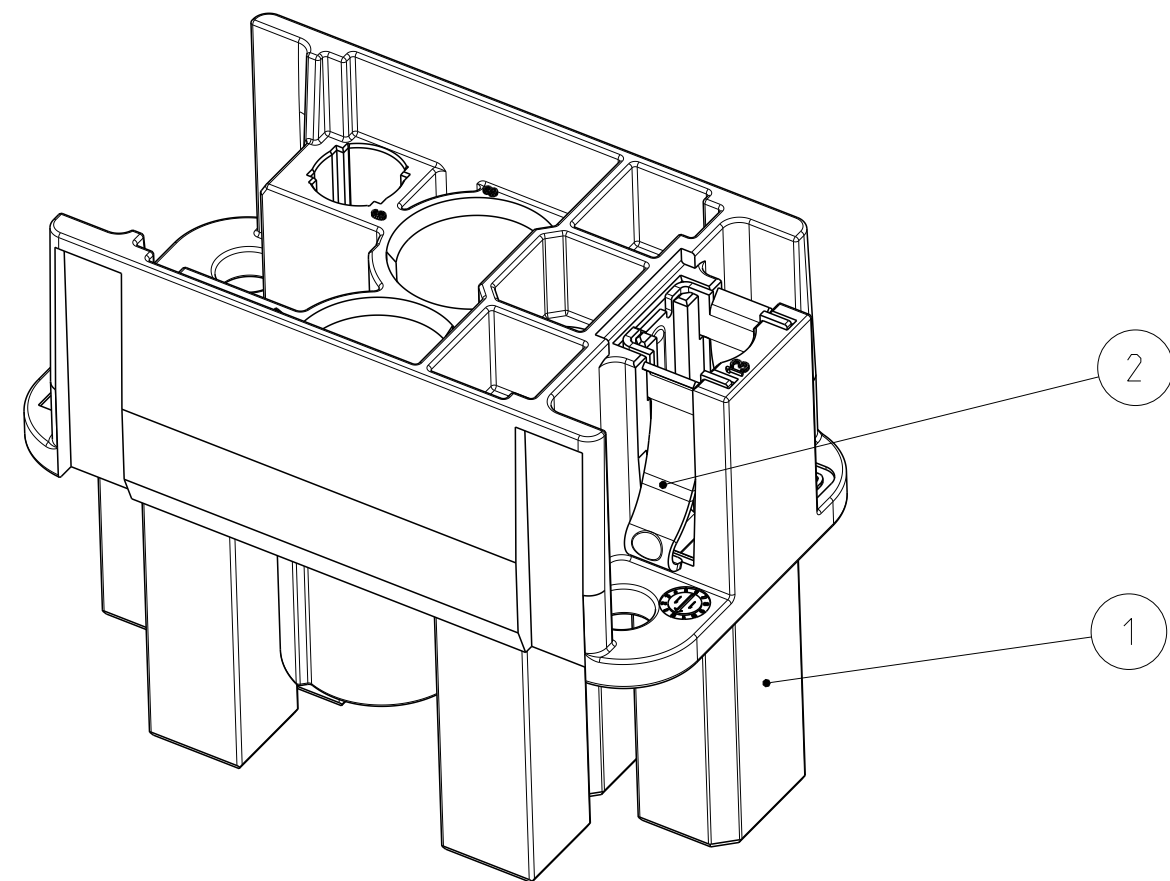


THIS DRAWING IS UNPUBLISHED
 VERTRÄULICHE UNVERÖFFENTLICHTE ZEICHNUNG
 © COPYRIGHT 2010 TE Connectivity

RELEASED FOR PUBLICATION
 FREI FUER VERÖFFENTLICHUNG
 20.AUG. 2010
 ALL RIGHTS RESERVED.
 ALLE INTERNATIONALEN RECHTE VORBEHALTEN.

MATED WITH:
 PASSEND ZU:
 2120325-1

LOC	DIST	REVISIONS ÄNDERUNGEN			
P	LTR	DESCRIPTION BESCHREIBUNG	DATE	DWN	APVD
A1	-				
PROJEKT NR.:		A3	REV. BY ITEM 1 CHANGED	22AUG2011	KHH HEIN
		A4	REV. BY ITEM 1 CHANGED INTO F	17JAN2012	KHH HEIN
		B1	ITEM NO. 1 UPDATED PER PCN E-12-001219	14FEB2012	ER HEIN
		B2	PARTS LIST REWORKED PER PCN E-13-016773	30OCT2013	ER OD



- 1 CAVITY FOR CONTACT MCON 2.8
- 2 CAVITY FOR SIGNAL HOUSING 2120321-1 FOR CONTACT MCON 1.2
- 3 CAVITY FOR ETHERNET CORE PN 1103427-2
- 4 CODING IDENTIFIER CUSTOMER SPECIFIED
- 5 PARTNUMBER OFF ITEM 1
- 6 DATE CLOCK OFF ITEM 1
- 7 REVISION STATUS OFF ITEM 1
- 8 CAVITY IDENTIFIER OFF ITEM 1
- 9 PACKAGING: PARTS ARE PACKED IN LAYERS INTO A CARDBOARD

- 1 KAMMER PASSEND FUER KONTAKT MCON 2.8
- 2 KAMMER PASSEND FUER SIGNAL HOUSING 2120321-1 FUER KONTAKT MCON 1.2
- 3 KAMMER PASSEND FUER ETHERNET CORE PN 1103427-2
- 4 KUNDENSPEZIFISCHE KODIERUNGSKENZEICHNUNG
- 5 SACHNUMMER VON POS 1
- 6 DATUMSUHR VON POS 1
- 7 REVISINSSTAND VON POS 1
- 8 NESTKENNZEICHNUNG VON POS 1
- 9 VERPACKUNG: TEILE LAGENWEISE IN EINEM KARTON VERPACKT

2120320-1	2	B	1	PE-CONTACT PE-KONTAKT	PRETINNED	CuNiSi
	1	G	1	RECEPTACLE HOUSING BUCHSENGEHÄUSE	BLACK SCHWARZ	PBT-GF30 PBT-GF30
TE CONNECTIVITY ORDER NO. BESTELL-NR.	ITEM POS.	REV.	QTY. STK.	DESCRIPTION BENENNUNG	SURFACE OBERFLÄCHE	MATERIAL
					COLOUR/FARBE	

THIS DRAWING IS A CONTROLLED DOCUMENT.
 DIESES ZEICHNUNGSDOKUMENT WIRD DURCH AMP INCORPORATED KONTROLLIERT.
 ÄNDERUNGEN, DIE DEM TECHNISCHEN FORTSCHRITT GEMEIN, SIND VORBEHALTEN.
 DEN JEWEILS LETZTGÜLTIGEN ÄNDERUNGSSTAND ERFAHREN SIE AUF ANFRAGE.

DIMENSIONS:
MASSE IN HEIßEN:
(MM)

TOLERANCES UNLESS
OTHERWISE SPECIFIED:
ALLGEMEINTOLERANZEN

0 PLC	±0.20
1 PLC	±0.20
2 PLC	±0.10
3 PLC	±
4 PLC	±
ANGLES/WINKEL	±°
FINISH/OBERFLÄCHE/FARBE	

MATERIAL: -

WEIGHT: 12.8g

Customer Drawing

DWN: K-H HESS 20AUG2010
 CHK: M SZELAG 20AUG2010
 APVD: S HEIN 20AUG2010

NAME: FEMALE INSERT WITH PE CONTACT
 BUCHSENEINSATZ MIT PE KONTAKT
 MOTORMAN HYBRID CONNECTOR

SIZE: A2 CAGE CODE: 00779 DRAWING NO: C=2120320
 ZEICHNUNGS-NR.

RESTRICTED TO NUR FUER: -

SCALE: 5:2 SHEET: 1 OF 1 REV: B2

TE Connectivity