



Chipsmall Limited consists of a professional team with an average of over 10 year of expertise in the distribution of electronic components. Based in Hongkong, we have already established firm and mutual-benefit business relationships with customers from,Europe,America and south Asia,supplying obsolete and hard-to-find components to meet their specific needs.

With the principle of "Quality Parts,Customers Priority,Honest Operation,and Considerate Service",our business mainly focus on the distribution of electronic components. Line cards we deal with include Microchip,ALPS,ROHM,Xilinx,Pulse,ON,Everlight and Freescale. Main products comprise IC,Modules,Potentiometer,IC Socket,Relay,Connector.Our parts cover such applications as commercial,industrial, and automotives areas.

We are looking forward to setting up business relationship with you and hope to provide you with the best service and solution. Let us make a better world for our industry!



## Contact us

Tel: +86-755-8981 8866 Fax: +86-755-8427 6832

Email & Skype: info@chipsmall.com Web: www.chipsmall.com

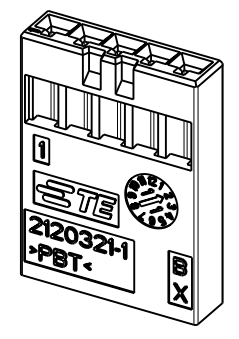
Address: A1208, Overseas Decoration Building, #122 Zhenhua RD., Futian, Shenzhen, China



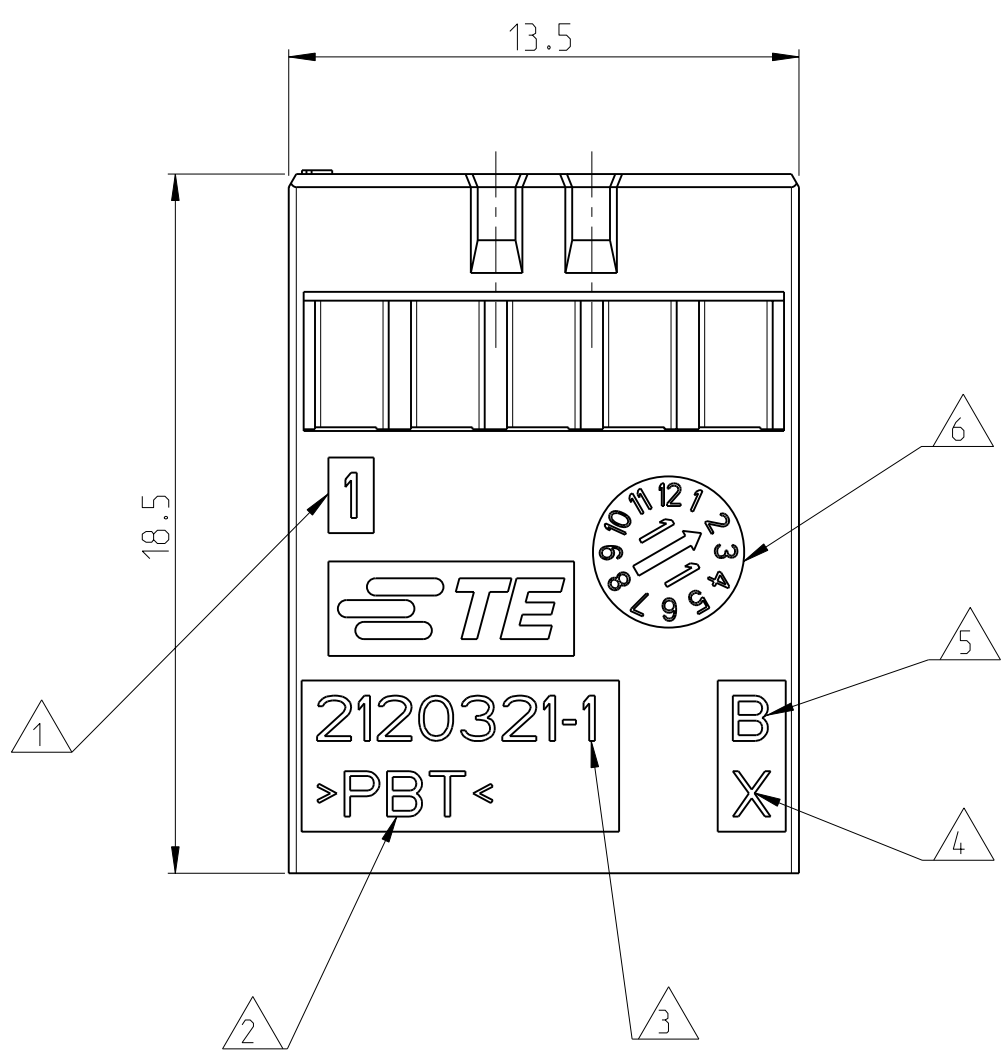
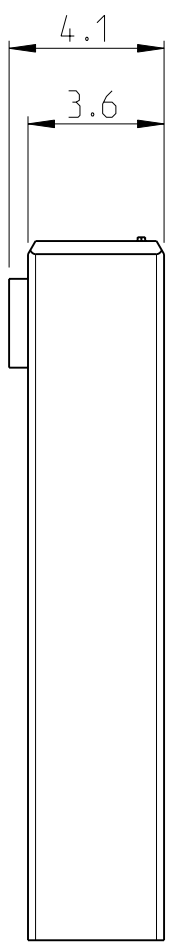
THIS DRAWING IS UNPUBLISHED  
 VERTRAULICHE UNVERÖFFENTLICHTE ZEICHNUNG  
 © COPYRIGHT 2010 TYCO ELECTRONICS AMP GMBH  
 ALL RIGHTS RESERVED.  
 ALLE INTERNATIONALEN RECHTE VORBEHALTEN.

MATED WITH:  
 PASSEND ZU:  
 2120319 / 320

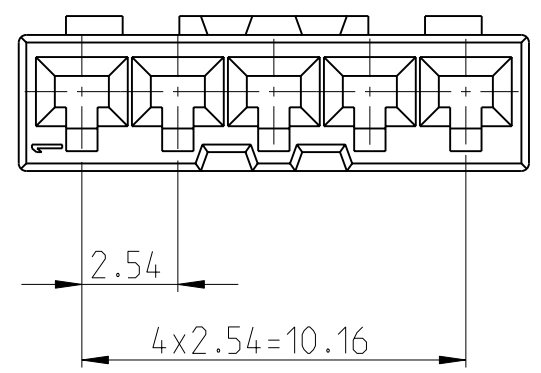
LOC		DIST		REVISIONS ÄNDERUNGEN		
P	LTR	DESCRIPTION BESCHREIBUNG	DATE	DWN	APVD	
	A1	NEW DRAWING CREATED	20AUG2010	KHH	HEIN	
	B1	MATERIAL CHANGED, PACKAGING MODIFIED	21MAR2011	SH	HEIN	
	B2	NOTES ADDED	06JUL2011	SHE	HEIN	



SCALE 2:1 / M 2:1



- 1 CONTACT IDENTIFICATION
  - 2 MATERIAL IDENTIFIER
  - 3 PARTNUMBER
  - 4 CAVITY IDENTIFIER
  - 5 REVISION STATUS
  - 6 DATE CLOCK
  - 7 VERPACKUNG: TEILE ALS SCHUETTIGUT IN KARTON VERPACKT
- 
- 1 KONTAKTKENNZEICHNUNG
  - 2 MATERIALKENNZEICHNUNG
  - 3 SACHNUMMER
  - 4 NESTKENNZEICHNUNG
  - 5 REVISIONSSTAND
  - 6 DATUMSUHR
  - 7 PACKAGING: PARTS BULK PACKED INTO FOLDING BOX



2120321-1	SIGNAL HOUSING SIGNALGEHÄUSE	BLACK SCHWARZ	PBT
TE ORDER NO. BESTELL-NR.	DESCRIPTION BENENNUNG	SURFACE OBERFLÄCHE COLOUR/FARBE	MATERIAL

THIS DRAWING IS A CONTROLLED DOCUMENT. DIESES ZEICHNUNGSDOKUMENT WIRD DURCH AMP INCORPORATED KONTROLLIERT. ÄNDERUNGEN, DIE DEM TECHNISCHEN FORTSCHRITT DIENEN, SIND VORBEHALTEN. DEN JEWEILS LETZTUELTIGEN ÄNDERUNGSSTAND ERFAHREN SIE AUF ANFRAGE.		DWN K.-H. HESS 20AUG2010	TE Connectivity				
DIMENSIONS: MASSEINHEITEN: mm	TOLERANCES UNLESS OTHERWISE SPECIFIED: ALLGEMEINTOLERANZEN	CHK M SZELAG 20AUG2010					
		APVD S HEIN 20AUG2010					
		PRODUCT SPEC PRODUKTSPEZ. -	NAME SIGNAL HOUSING 5POS SIGNALGEHÄUSE 5POL. MOTORMAN HYBRID CONNECTOR				
MATERIAL -		APPLICATION SPEC VERARBEITUNGSSPEZ. -	SIZE A3	CAGE CODE 00779	DRAWING NO ZEICHNUNGS-NR. G=2120321	RESTRICTED TO NUR FUER -	
FINISH/OBERFLÄCHE/FARBE -		WEIGHT GEWICHT 0.52	CUSTOMER DRAWING /KUNDENZEICHNUNG		SCALE MASSSTAB 5:1	SHEET BLATT 1 OF VON 1	REV B2