



Chipsmall Limited consists of a professional team with an average of over 10 year of expertise in the distribution of electronic components. Based in Hongkong, we have already established firm and mutual-benefit business relationships with customers from,Europe,America and south Asia,supplying obsolete and hard-to-find components to meet their specific needs.

With the principle of "Quality Parts,Customers Priority,Honest Operation,and Considerate Service",our business mainly focus on the distribution of electronic components. Line cards we deal with include Microchip,ALPS,ROHM,Xilinx,Pulse,ON,Everlight and Freescale. Main products comprise IC,Modules,Potentiometer,IC Socket,Relay,Connector.Our parts cover such applications as commercial,industrial, and automotives areas.

We are looking forward to setting up business relationship with you and hope to provide you with the best service and solution. Let us make a better world for our industry!



Contact us

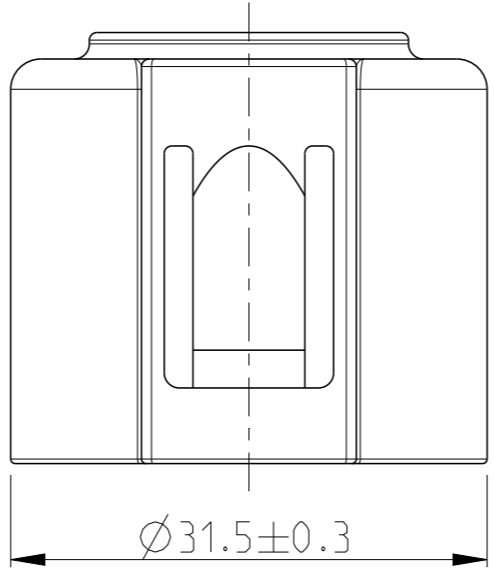
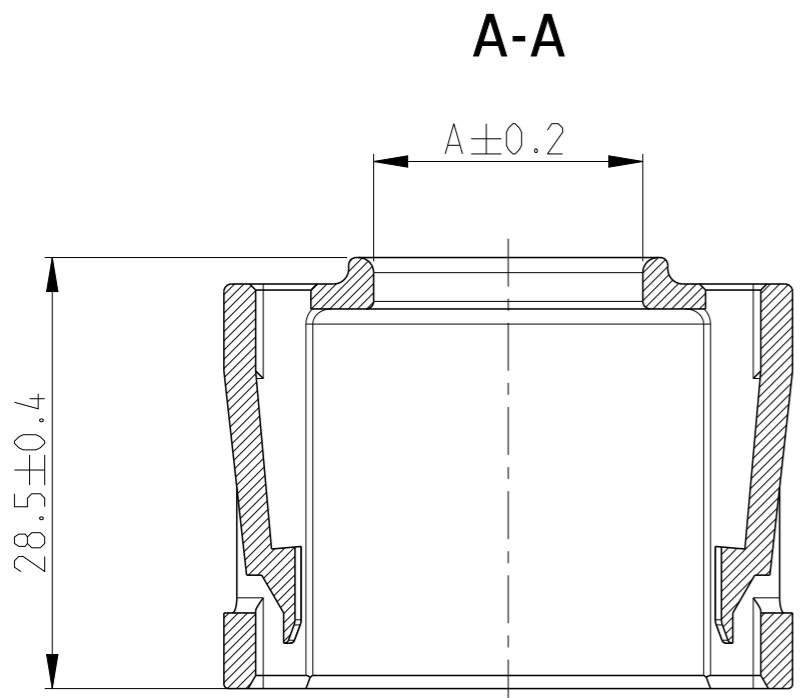
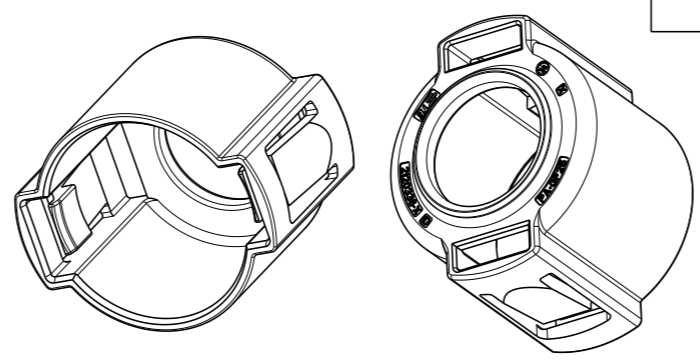
Tel: +86-755-8981 8866 Fax: +86-755-8427 6832

Email & Skype: info@chipsmall.com Web: www.chipsmall.com

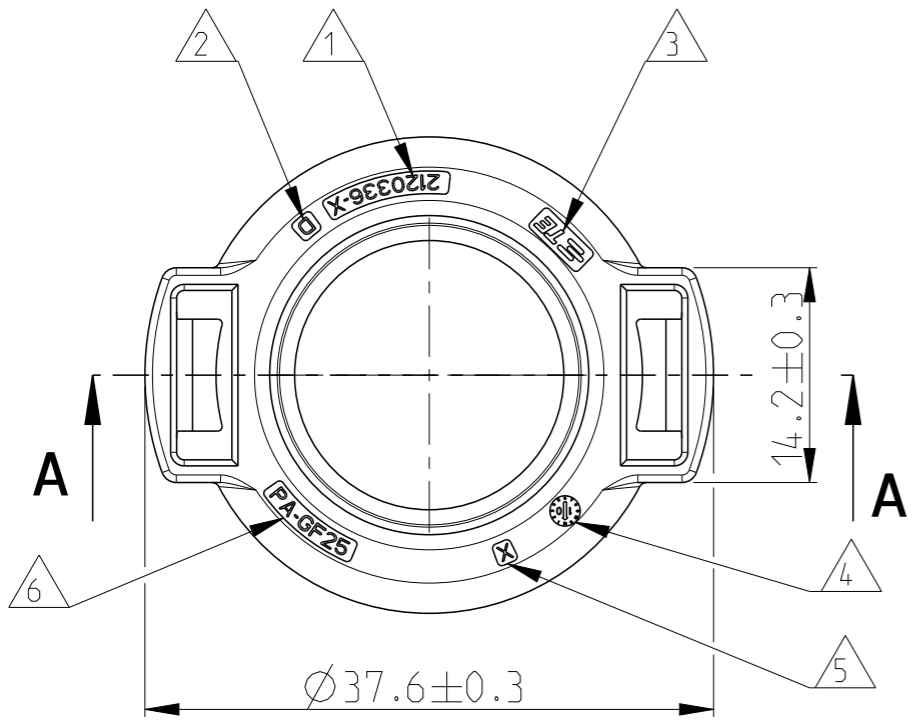
Address: A1208, Overseas Decoration Building, #122 Zhenhua RD., Futian, Shenzhen, China



P	LTR	DESCRIPTION BESCHREIBUNG	DATE	DWN	APVD
C1		DETAILS SEE PCN E-13-000131	05JAN2013	SJ	HR
D1		-1: INNER DIA. A REWORKED (PCN E-13-012625)	08AUG2013	SA	DO
D2		-2 ACTIVATED PER PCN E-13-014085	06SEP2013	ER	DO
D3		MARKS 2+5 ADAPTED TO TOOL (PCN E-14-006076)	29APR2014	ER	DO



- 1 PARTNUMBER
 - 2 REVISION STATUS
 - 3 COMPANY LOGO
 - 4 DATE CLOCK
 - 5 NEST IDENTIFICATION
 - 6 MATERIAL IDENTIFIER
 - 7 PACKAGING: PARTS BULK PACKED INTO FOLDING BOX
-
- 1 SACHNUMMER
 - 2 REVISIONSSTAND
 - 3 FIRMRNLOGO
 - 4 DATUMSUHR
 - 5 NESTKENNZEICHNUNG
 - 6 MATERIALKENNZEICHNUNG
 - 7 VERPACKUNG: TEILE ALS SCHUETTGUT IN EINEN KARTON VERPACKT



13.0 - 15.0	15.3	BLACK	PA66-GF25	7.34	PROTECTION COVER SCHUTZKAPPE	2120336-2
15.1 - 17.0	17.8	BLACK	PA66-GF25	7.22	PROTECTION COVER SCHUTZKAPPE	2120336-1
WIRE DIAMETER [MM] KABELDURCHMESSER [mm]	DIMENSION ØA	SURFACE/COLOUR Oberflaeche/Farbe	MATERIAL	WEIGHT (g)	DESCRIPTION BENENNUNG	PART-NO. TEILE-Nr.

THIS DRAWING IS A CONTROLLED DOCUMENT.
 DIESES ZEICHNUNGSDOKUMENT WIRD DURCH AMP INCORPORATED KONTROLLIERT.
 AENDERUNGEN, DIE DEM TECHNISCHEN FORTSCHRITT DIENEN, SIND VORBEHALTEN.
 DEN JEWEILS LETZTGUELTIGEN AENDERUNGSSTAND ERFAHREN SIE AUF ANFRAGE.

DIMENSIONS:
MASSEINHEITEN:
mm

TOLERANCES UNLESS
OTHERWISE SPECIFIED:
ALLGEMEINTOLERANZEN

0 PLC	±
1 PLC	±
2 PLC	±
3 PLC	±
4 PLC	±
ANGLES/WINKEL	±°

MATERIAL PA-GF25 FINISH/OBERFLAECHE/FARBE -

DWN S. HASS 30SEP2010
 CHK K.-H. HESS 30SEP2010
 APVD S. HEIN 30SEP2010

PRODUCT SPEC
PRODUKTSPEZ.
108-94252

APPLICATION SPEC
VERARBEITUNGSSPEZ.
114-94067

WEIGHT
GEWICHT
7.3g

Customer Drawing /KUNDENZEICHNUNG

SCALE
MASSSTAB
2:1

SHEET
BLATT
1 OF
VON 1

RESTRICTED TO
NUR FUER
-

REV D3

STE TE Connectivity

PROTECTION COVER
SCHUTZKAPPE
MOTORMAN HYBRID CONNECTOR

NAME
SIZE A3 CAGE CODE 00779 DRAWING NO. ZEICHNUNGS-NR. C=2120336