



Chipsmall Limited consists of a professional team with an average of over 10 year of expertise in the distribution of electronic components. Based in Hongkong, we have already established firm and mutual-benefit business relationships with customers from,Europe,America and south Asia,supplying obsolete and hard-to-find components to meet their specific needs.

With the principle of “Quality Parts,Customers Priority,Honest Operation,and Considerate Service”,our business mainly focus on the distribution of electronic components. Line cards we deal with include Microchip,ALPS,ROHM,Xilinx,Pulse,ON,Everlight and Freescale. Main products comprise IC,Modules,Potentiometer,IC Socket,Relay,Connector.Our parts cover such applications as commercial,industrial, and automotives areas.

We are looking forward to setting up business relationship with you and hope to provide you with the best service and solution. Let us make a better world for our industry!



Contact us

Tel: +86-755-8981 8866 Fax: +86-755-8427 6832

Email & Skype: info@chipsmall.com Web: www.chipsmall.com

Address: A1208, Overseas Decoration Building, #122 Zhenhua RD., Futian, Shenzhen, China

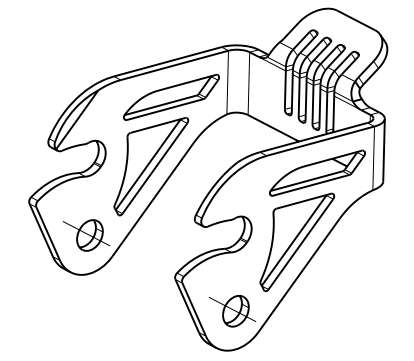
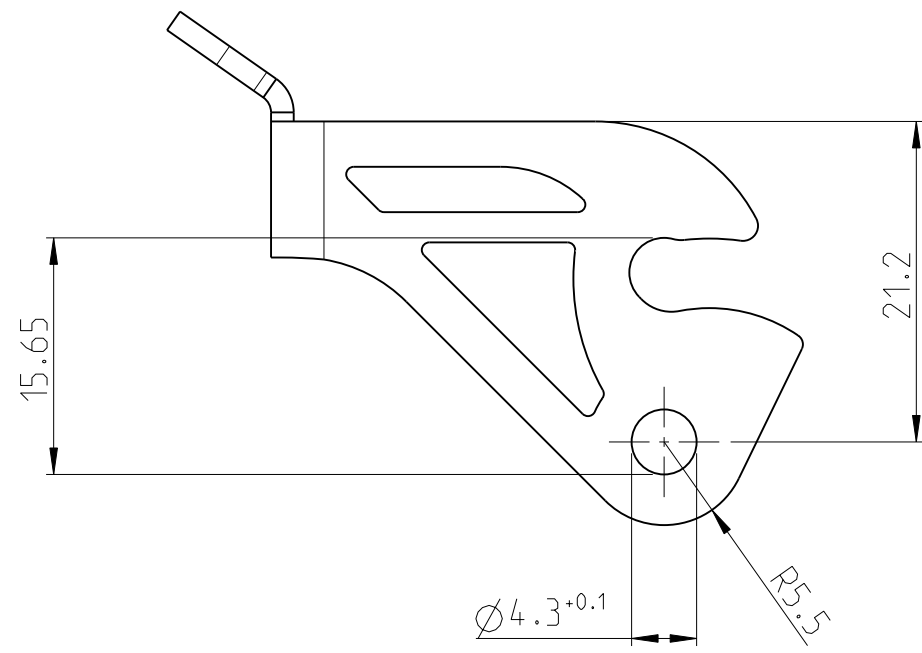
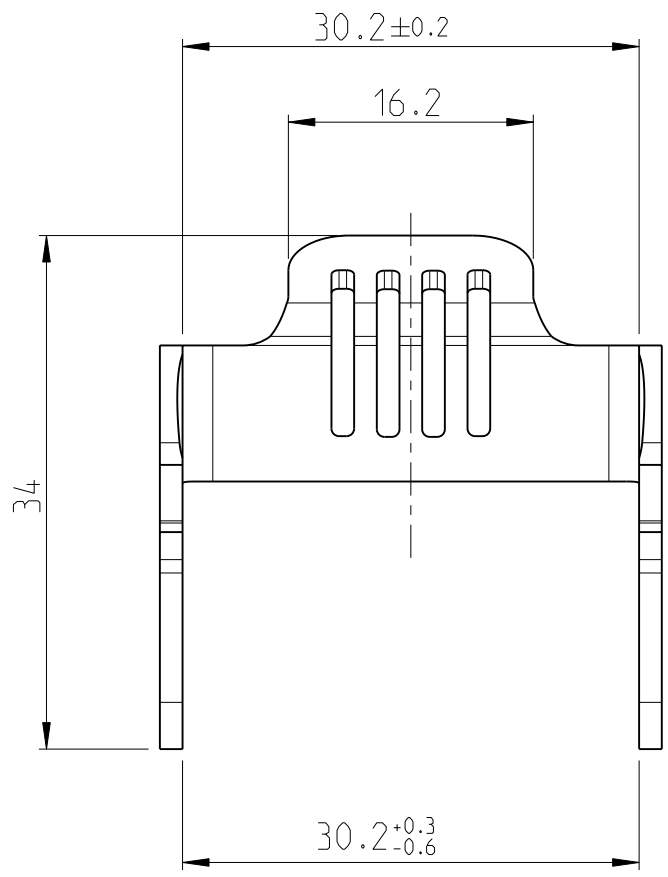


4

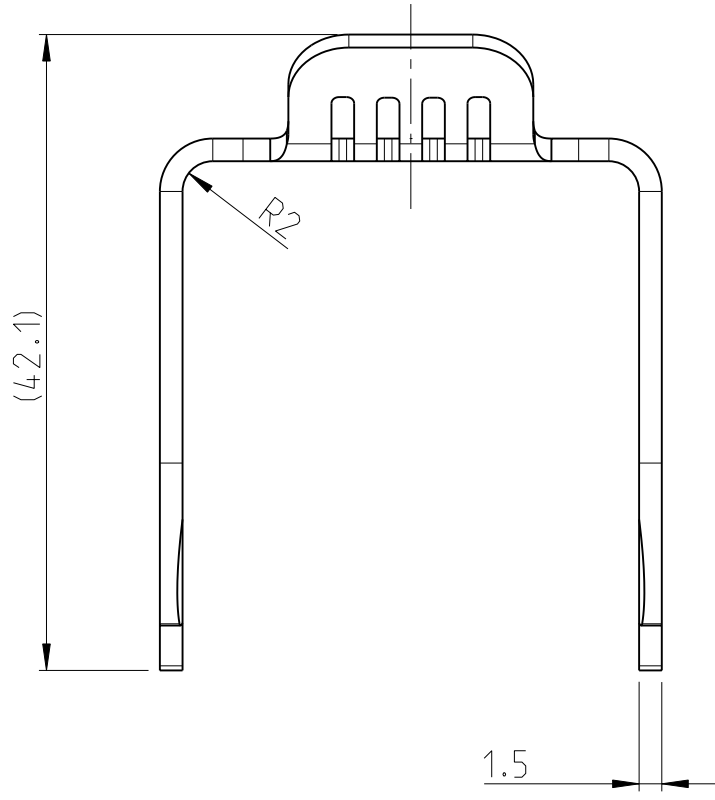
3

2

1



SCALE 1:1 / M 1:1



-1 AS SHOWN
WIE GEZEICHNET

- ① MATERIAL: STAINLESS STEEL
- ② SURFACE: BLANK
- ③ PACKAGING 100 PIECES MAX. IN A BOX

- ① MATERIAL: NICHTROSTENDER STAHL
- ② OBERFLAECHE: BLANK
- ③ VERPACKUNG MAX. 100 TEILE IM VERSANDKARTON

THIS DRAWING IS A CONTROLLED DOCUMENT. <small>DIESES ZEICHNUNGSDOKUMENT WIRD DURCH AMP INCORPORATED KONTROLLIERT. ÄNDERUNGEN, DIE DEM TECHNISCHEN FORTSCHRITT DIENEN, SIND VORBEHALTEN. DEN JEWELNS LETZTUELTIGEN ÄNDERUNGSSTAND ERFAHREN SIE AUF ANFRAGE.</small>		DWN A.HERRMANN 20AUG2010		 TE Connectivity			
DIMENSIONS: MASSEINHEITEN: mm		CHK M.SZELAG 20AUG2010					
		APVD S.HEIN 20AUG2010					
TOLERANCES UNLESS OTHERWISE SPECIFIED: ALLGEMEINTOLERANZEN		PRODUCT SPEC PRODUKTSPEZ. 108-94252					
		APPLICATION SPEC VERARBEITUNGSSPEZ. 114-94067					
MATERIAL ①		WEIGHT GEWICHT 14.0g		SIZE A3	CAGE CODE 00779	DRAWING NO ZEICHNUNGS-NR. C=2120339	RESTRICTED TO NUR FUER -
		FINISH/OBERFLAECHE/FARBE ②		CUSTOMER DRAWING		/KUNDENZEICHNUNG	SCALE MASSSTAB 2:1