



Chipsmall Limited consists of a professional team with an average of over 10 year of expertise in the distribution of electronic components. Based in Hongkong, we have already established firm and mutual-benefit business relationships with customers from,Europe,America and south Asia,supplying obsolete and hard-to-find components to meet their specific needs.

With the principle of “Quality Parts,Customers Priority,Honest Operation,and Considerate Service”,our business mainly focus on the distribution of electronic components. Line cards we deal with include Microchip,ALPS,ROHM,Xilinx,Pulse,ON,Everlight and Freescale. Main products comprise IC,Modules,Potentiometer,IC Socket,Relay,Connector.Our parts cover such applications as commercial,industrial, and automotives areas.

We are looking forward to setting up business relationship with you and hope to provide you with the best service and solution. Let us make a better world for our industry!



Contact us

Tel: +86-755-8981 8866 Fax: +86-755-8427 6832

Email & Skype: info@chipsmall.com Web: www.chipsmall.com

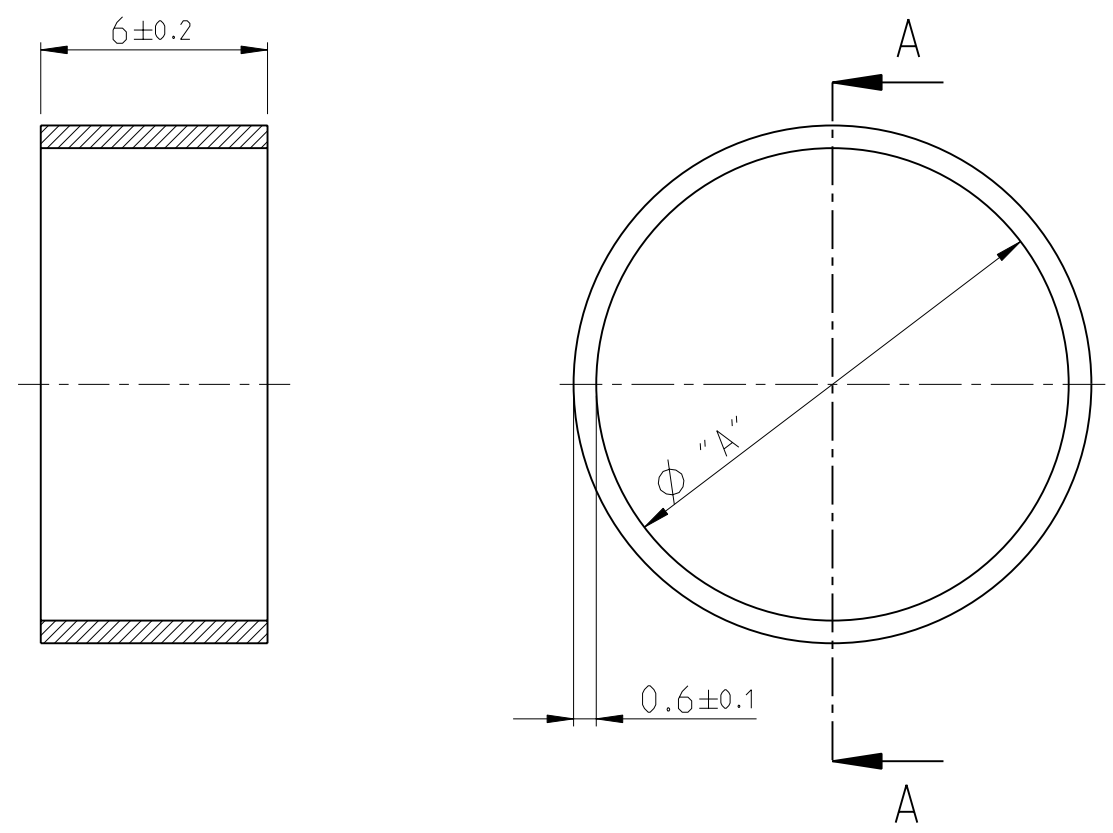
Address: A1208, Overseas Decoration Building, #122 Zhenhua RD., Futian, Shenzhen, China



THIS DRAWING IS UNPUBLISHED
 VERTRAULICHE UNVERÖFFENTLICHTE ZEICHNUNG
 RELEASED FOR PUBLICATION
 FREI FUER VERÖFFENTLICHUNG
 18.MAY. 2011
 MATED WITH:
 PASSEND ZU: 2120330-1

LOC		DIST		REVISIONS ÄNDERUNGEN			
P	LTR	DESCRIPTION BESCHREIBUNG	DATE	DWN	APVD		
		A1	-				
PROJEKT NR.: EGGMN09020		A1	DRAWING ACTIVE	29JUN2011	KHH	HEIN	

SECTION A-A
 SCHNITT A-A



- 1 MATERIAL: BRASS; Sn-PLATED
 - 2 APPLICATION WITH TE-HANDTOOL PN X-XXXXXXX-X
APPLICATION WITH TE-APPLICATOR PN X-XXXXXXX-X
 - 3 PACKAGING: EACH Ø 60 PIECES PACKED SEPERATLY INTO PE-BAG AND PACKED TOGETHER IN FOLDING BOX
-
- 1 MATERIAL: MESSING; VERZINNT
 - 2 VERARBEITUNG MIT TE-HANDZANGE PN X-XXXXXXX-X
VERARBEITUNG MIT TE-APPLIKATOR PN X-XXXXXXX-X
 - 3 VERPACKUNG: JE Ø 60 STUECK SEPERAT IN PE-BEUTEL VERPACKT UND ZUSAMMEN IN FALTSCHACHTEL VERPACKT

2120432-3	Ø14.80±0.1	CRIMP SLEEVE QUETSCHHUELSE	1	1
	Ø12.50±0.1	CRIMP SLEEVE QUETSCHHUELSE	1	1
TE ORDER NO. BESTELL-NR.	DIM "A"	DESCRIPTION BENENNUNG	SURFACE OBERFLAECHE COLOUR/FARBE	MATERIAL

THIS DRAWING IS A CONTROLLED DOCUMENT. DIESES ZEICHNUNGSDOKUMENT WIRD DURCH AMP INCORPORATED KONTROLLIERT. ÄNDERUNGEN, DIE DEM TECHNISCHEN FORTSCHRITT DIENEN, SIND VORBEHALTEN. DEN JEWEILS LETZTUELTIGEN ÄNDERUNGSSTAND ERFAHREN SIE AUF ANFRAGE.		DWN S. HASS 18MAY2011	TE Connectivity													
DIMENSIONS: MASSEINHEITEN: mm		CHK M. SZELAG 18MAY2011														
TOLERANCES UNLESS OTHERWISE SPECIFIED: ALLGEMEINTOLERANZEN		APVD S. HEIN 18MAY2011														
<table border="0"> <tr><td>0 PLC</td><td>±-</td></tr> <tr><td>1 PLC</td><td>±-</td></tr> <tr><td>2 PLC</td><td>±-</td></tr> <tr><td>3 PLC</td><td>±-</td></tr> <tr><td>4 PLC</td><td>±-</td></tr> <tr><td>ANGLES/W INKEL</td><td>±1°</td></tr> </table>		0 PLC	±-	1 PLC	±-	2 PLC	±-	3 PLC	±-	4 PLC	±-	ANGLES/W INKEL	±1°	PRODUCT SPEC PRODUKTSPEZ. -	NAME CRIMP SLEEVE KIT QUETSCHHUELSE KIT MOTORMAN HYBRID CONNECTOR	
0 PLC	±-															
1 PLC	±-															
2 PLC	±-															
3 PLC	±-															
4 PLC	±-															
ANGLES/W INKEL	±1°															
MATERIAL -		APPLICATION SPEC VERARBEITUNGSSPEZ. 114-94067	SIZE A3	CAGE CODE 00779	DRAWING NO ZEICHNUNGS-NR. G=2120432	RESTRICTED TO NUR FUER -										
TOLERANCING ISO 8015 TOLERIERUNG ISO 8015		WEIGHT GEWICHT 2.7g	CUSTOMER DRAWING	/KUNDENZEICHNUNG	SCALE MASSSTAB 5:1	SHEET BLATT 1 OF VON 1	REV A1									