



Chipsmall Limited consists of a professional team with an average of over 10 year of expertise in the distribution of electronic components. Based in Hongkong, we have already established firm and mutual-benefit business relationships with customers from,Europe,America and south Asia,supplying obsolete and hard-to-find components to meet their specific needs.

With the principle of “Quality Parts,Customers Priority,Honest Operation,and Considerate Service”,our business mainly focus on the distribution of electronic components. Line cards we deal with include Microchip,ALPS,ROHM,Xilinx,Pulse,ON,Everlight and Freescale. Main products comprise IC,Modules,Potentiometer,IC Socket,Relay,Connector.Our parts cover such applications as commercial,industrial, and automotives areas.

We are looking forward to setting up business relationship with you and hope to provide you with the best service and solution. Let us make a better world for our industry!



Contact us

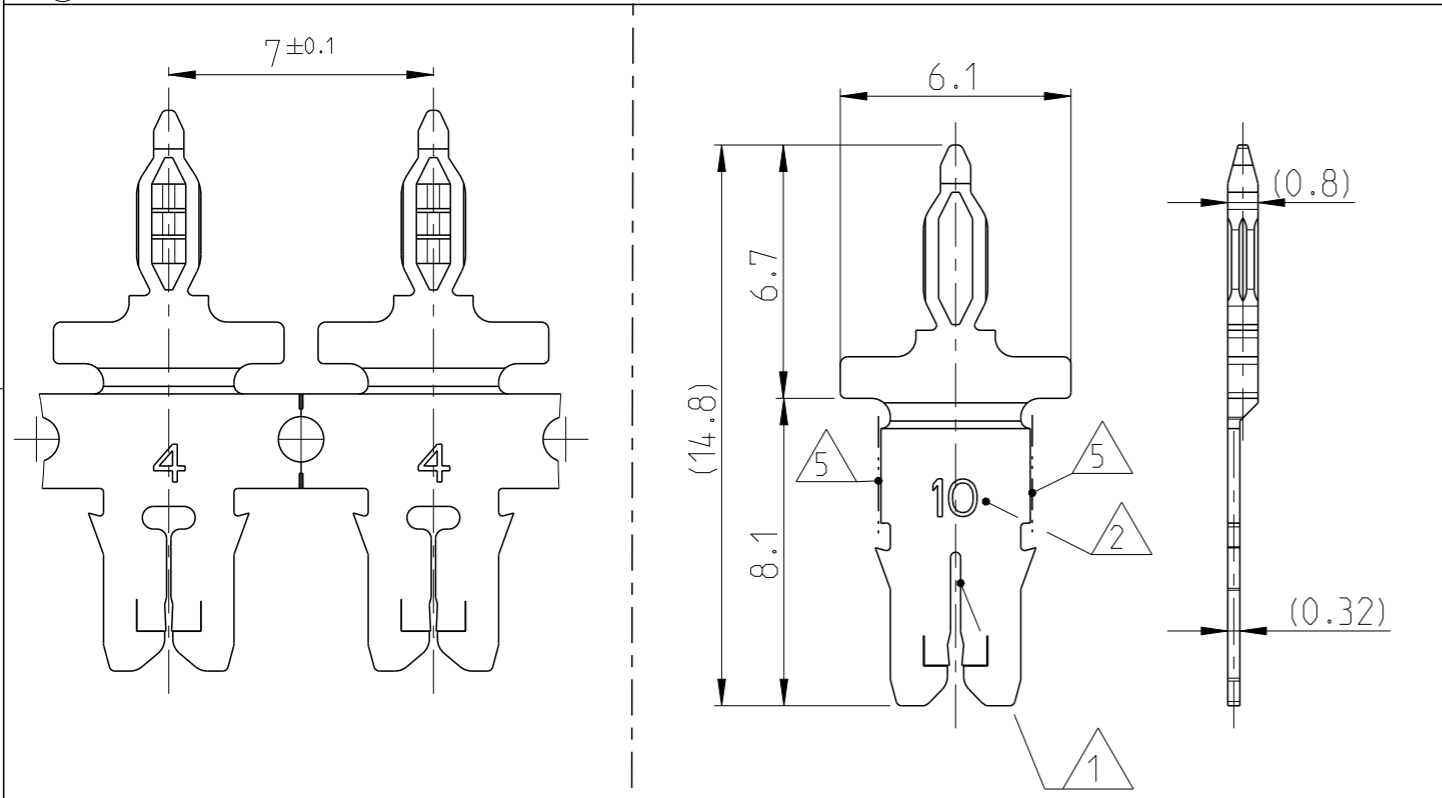
Tel: +86-755-8981 8866 Fax: +86-755-8427 6832

Email & Skype: info@chipsmall.com Web: www.chipsmall.com

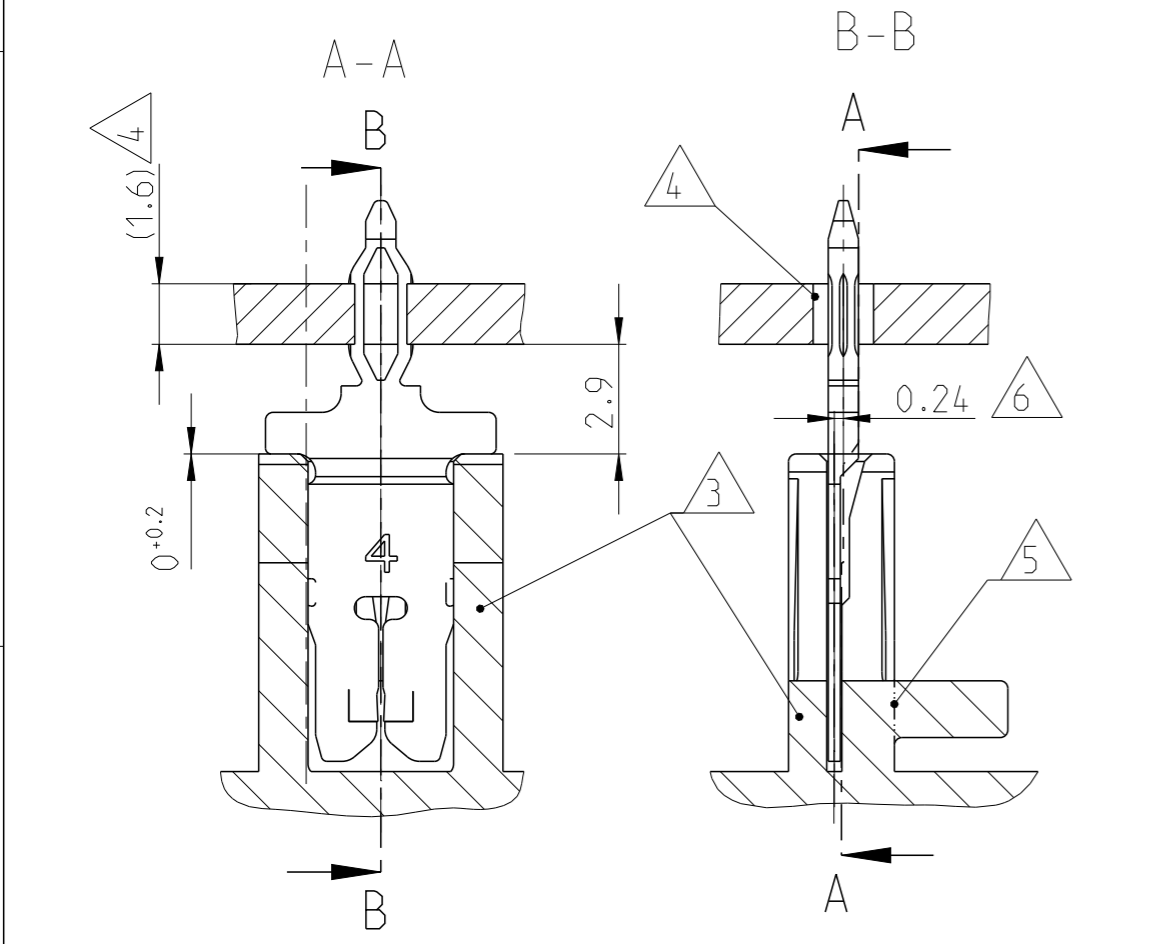
Address: A1208, Overseas Decoration Building, #122 Zhenhua RD., Futian, Shenzhen, China



LOC	DIST	REVISIONS					
		P	LTR	DESCRIPTION	DATE	DWN	APVD
A1	-		A5	NEW PRODUCT INTRODUCTION 2825388-1	12DEC2016	BW	SV



- 1 SLOT ACCEPTS SINGLE OR DOUBLE COPPER MAGNET WIRE SAME DIAMETERS
 - 2 IDENTIFICATION NUMBER FOR MAGNET WIRE RANGE
 - 3 CONTACT CAVITY AND APPLICATION ACC. SPECIFICATION 114-94229
 - 4 PCB LAYOUT, HOLES ACC. SPECIFICATION. 108-90801
 - 5 CUTTING LINE: AREA WILL BE CUTTED OFF BY TERMINATION
 - 6 CAVITY CENTER TO HOLE CENTER
 - 7 DELIVERY STATE: STRIP ON CORRUGATED REEL WITH PAPER INTERLAYER
 - 8 TO BE APPROVED, ON DEMAND BY TE ENGINEERING
 - 9 MAX. 2 SPLICES PER REEL; SPLICES BE NOT BONDED TOGETHER
- } SEE TABLE



DIRECTION TOP OF REEL	1:1	2825388-1	IDENTIFICATION NO	DOUBLE WIRE		SINGLE WIRE		PART NO
				1 AWG BARE WIRE RANGE	1 BARE WIRE RANGE	DOUBLE WIRE	SINGLE WIRE	
		24	-	19.5 - 17.5; 17	8	-	∅ 0.85mm to ∅ 1.12mm	2120747-2
		12	-	22.5 - 20; 19.5	8	-	∅ 0.63mm to ∅ 0.85mm	2120746-2
		10	26 - 23	26 - 22.5	8	∅ 0.4mm to ∅ 0.56mm	∅ 0.4mm to ∅ 0.63mm	2120745-2
		6	29.5 - 26.5; 26	29.5 - 26.5; 26	8	∅ 0.265mm to ∅ 0.4mm	∅ 0.265mm to ∅ 0.4mm	2120744-2
		4	33 - 30; 29.5	33 - 30; 29.5	8	∅ 0.18mm to ∅ 0.265mm	∅ 0.18mm to ∅ 0.265mm	2120743-2

THIS DRAWING IS A CONTROLLED DOCUMENT.

DIMENSIONS: mm	TOLERANCES UNLESS OTHERWISE SPECIFIED:	DWN H. Ballmert 28NOV2012	 TE Connectivity
		CHK B. Schnaubelt 30NOV2012	
		APVD T. Klenner 30NOV2012	
		PRODUCT SPEC 108-94366	
MATERIAL CuNiSi	FINISH TINNED	APPLICATION SPEC 3	NAME MAG-MATE Slim Line Contact with Multispring
		WEIGHT -	SIZE A3
		Customer Drawing	CAGE CODE 00779
			DRAWING NO C-2120743
			RESTRICTED TO -
			SCALE 5:1
			SHEET 1 OF 1
			REV A5