



Chipsmall Limited consists of a professional team with an average of over 10 year of expertise in the distribution of electronic components. Based in Hongkong, we have already established firm and mutual-benefit business relationships with customers from,Europe,America and south Asia,supplying obsolete and hard-to-find components to meet their specific needs.

With the principle of “Quality Parts,Customers Priority,Honest Operation,and Considerate Service”,our business mainly focus on the distribution of electronic components. Line cards we deal with include Microchip,ALPS,ROHM,Xilinx,Pulse,ON,Everlight and Freescale. Main products comprise IC,Modules,Potentiometer,IC Socket,Relay,Connector.Our parts cover such applications as commercial,industrial, and automotives areas.

We are looking forward to setting up business relationship with you and hope to provide you with the best service and solution. Let us make a better world for our industry!



## Contact us

Tel: +86-755-8981 8866 Fax: +86-755-8427 6832

Email & Skype: info@chipsmall.com Web: www.chipsmall.com

Address: A1208, Overseas Decoration Building, #122 Zhenhua RD., Futian, Shenzhen, China

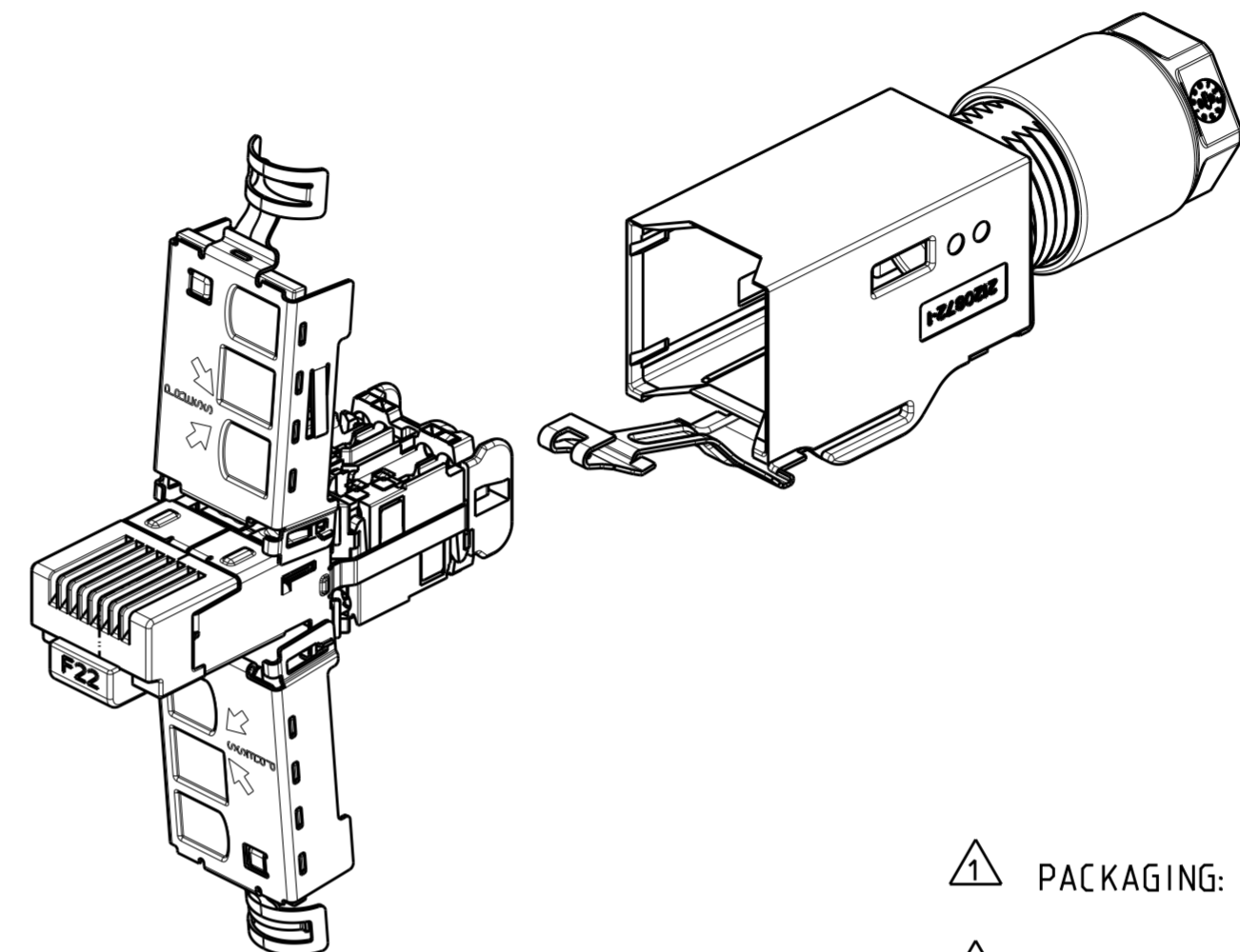
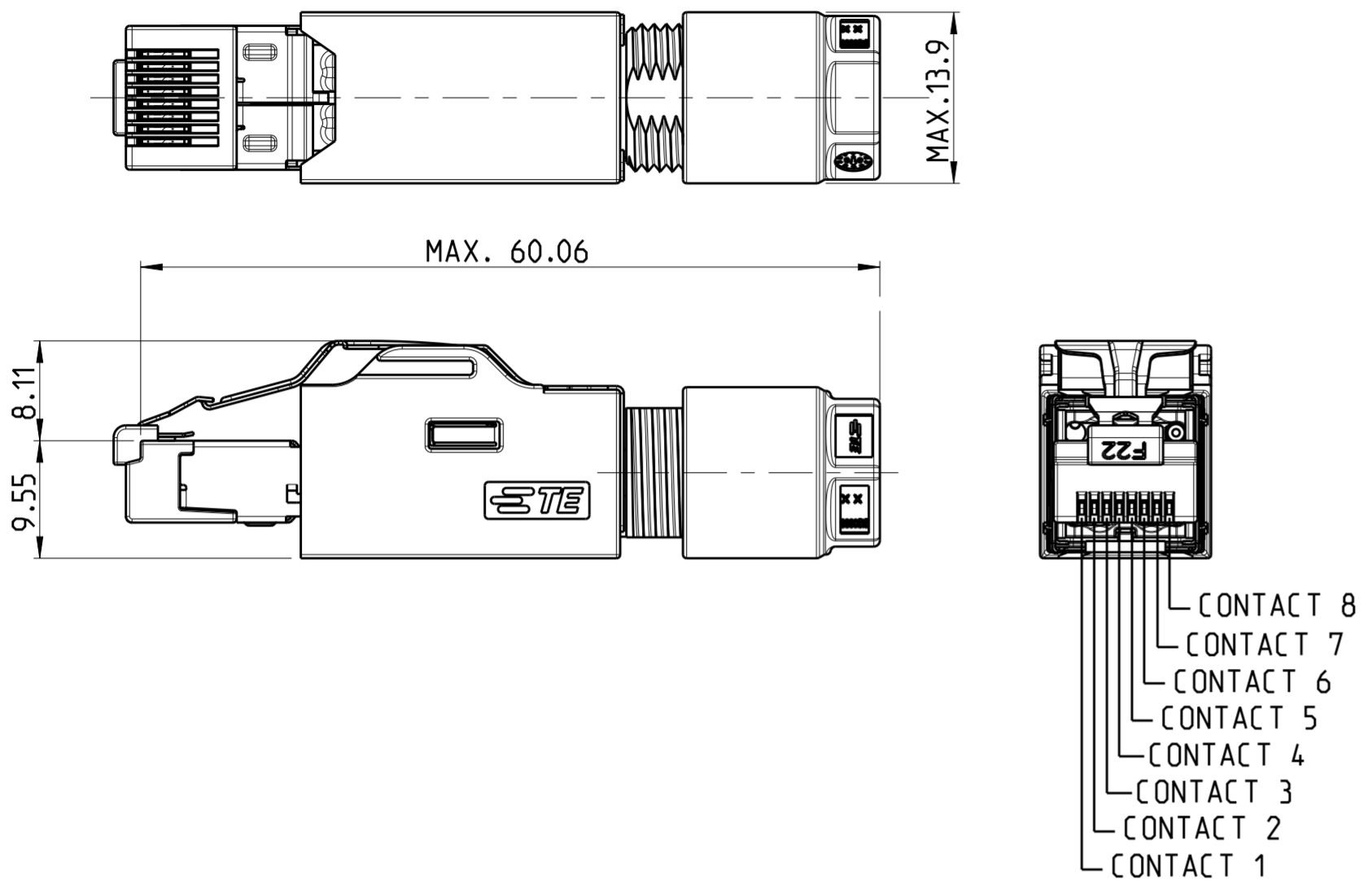


THIS DRAWING IS UNPUBLISHED  
 VERBÄULICHE UNVERÖFFENTLICHTE ZEICHNUNG  
 RELEASED FOR PUBLICATION  
 FREI FÜR VERÖFFENTLICHUNG  
 2016  
 MATED WITH:  
 PASSEND ZU:  
 ALL RIGHTS RESERVED.  
 ALLE RECHTE VORBEHALTEN.

PROJECT NR.:  
 PRJ-13-000001662

REVISIONS				
P	LTR	DESCRIPTION	DATE	APVD
A1		RELEASE FOR PRODUCTION	04AUG2016	SH MS
A2		ECR-17-002761	01MAR2017	GCM JB

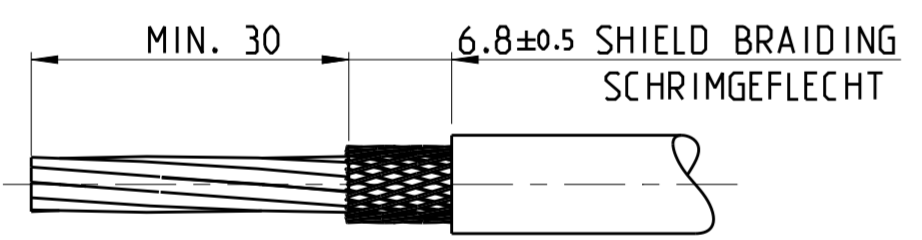
**MOUNTED STATE - FOR INFORMATION ONLY**  
 MONTIERTER ZUSTAND - NUR ZUR INFORMATION



1 PACKAGING: PACKAGING SPEC. 107-18109  
 1 VERPACKUNG: VERPACKUNGS SPEC. 107-18109

**CABLE: 8 POS. AWG 24 STRANDED OR SOLID**  
 KABEL: 8 POL. AWG 24 LITZE ODER MASSIV

**RECOMMENDED STRIPPING LENGTH**  
 EMPFOHLENE ABISOLIERLÄNGE



**PRODUCTION DATE CODE**  
**FERTIGUNGSDATUM**

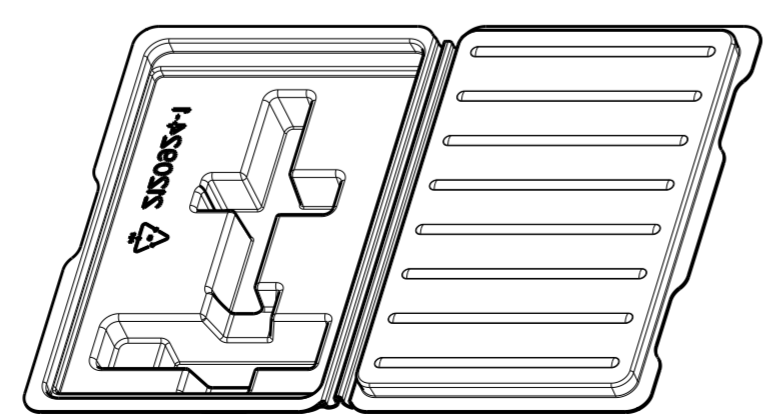
YEAR/JAHR	CODE	WEEK/WOCHE
2015	F	01
2016	H	T0
2017	J	52
2018	K	
2019	L	
2020	M	

EXAMPLES:  
 BEISPIELE:  
 WEEK 22 IN 2015 = F22  
 WEEK 3 IN 2018 = K03

**COLOR ALLOCATION OF TERMINAL WIRE TO RJ45 CONTACT 8 POS. TYPE:**  
 FARBZUORDNUNG DES ANSCHLUSSDRAHTES ZUM RJ45-KONTAKT 8 POL. AUSFÜHRUNG:

CONTACT NO./NR.	WIRE COLOR DRAHTFARBE
1	WHITE/GREEN WEISS/GRÜN
2	GREEN GRÜN
3	WHITE/ORANGE WEISS/ORANGE
4	BLUE BLAU
5	WHITE/BLUE WEISS/BLAU
6	ORANGE ORANGE
7	WHITE/BROWN WEISS/BRAUN
8	BROWN BRAUN

**SINGLE-PACKAGING**  
**EINZEL-VERPACKUNG**  
 1:2



SIZE ISO 14405 (E)

**TE ORDER-NO. BESTELL-NR.**

2120892-3	2120892-2	2120892-1	1	1	RJ45 CONNECTOR CAT6A, IP20 PLUG PACKED WITH INSTRUCTION SHEET RJ45 STECKVERBINDER CAT6A, IP20 STECKER VERPACKT MIT VERARBEITUNGSANWEISUNG	BLACK SCHWARZ Au OVER PBNi	PBT GF 10 STAINLESS STEEL COPPER ALLOY
QUANTITY STÜCK	ITEM-NO. POS.	DESCRIPTION BENENNUNG			SURFACE OBERFLÄCHE COLOUR/FARBE	MATERIAL	
100	10	1	1	1			

THIS DRAWING IS A CONTROLLED DOCUMENT. DIMENSIONING AND TOLERANCING PER GPS (ISO STANDARDS).

DIMENSIONS: MASSEINHEITEN: (MM)	TOLERANCES UNLESS OTHERWISE SPECIFIED: ALLGEMEINTOLERANZEN	DWN E. REISS 26OCT2013	CHK M. STRELOW 26OCT2013	APVD C. SCHRETLINGER 26OCT2013	NAME RJ45 CONNECTOR CAT6A, IP20 PLUG RJ45 STECKVERBINDER CAT6A, IP20 STECKER
0 PLC ±0.3	1 PLC ±0.3	PRODUCT SPEC 108-94413	APPLICATION SPEC 411-18570	WEIGHT 15g	SIZE A2
2 PLC ±0.3	3 PLC ±	VERARBEITUNGSPEC	FINISH/OBERFLÄCHE/FARBE	CUSTOMER DRAWING	SCALE MASSSTAB 1:2
4 PLC ±	ANGLES/WINKEL ±				SHEET BLATT 1 OF 1
					REV A2

TE Connectivity

-1 AS SHOWN WIE GEZEICHNET