



Chipsmall Limited consists of a professional team with an average of over 10 year of expertise in the distribution of electronic components. Based in Hongkong, we have already established firm and mutual-benefit business relationships with customers from,Europe,America and south Asia,supplying obsolete and hard-to-find components to meet their specific needs.

With the principle of “Quality Parts,Customers Priority,Honest Operation,and Considerate Service”,our business mainly focus on the distribution of electronic components. Line cards we deal with include Microchip,ALPS,ROHM,Xilinx,Pulse,ON,Everlight and Freescale. Main products comprise IC,Modules,Potentiometer,IC Socket,Relay,Connector.Our parts cover such applications as commercial,industrial, and automotives areas.

We are looking forward to setting up business relationship with you and hope to provide you with the best service and solution. Let us make a better world for our industry!



## Contact us

Tel: +86-755-8981 8866 Fax: +86-755-8427 6832

Email & Skype: info@chipsmall.com Web: www.chipsmall.com

Address: A1208, Overseas Decoration Building, #122 Zhenhua RD., Futian, Shenzhen, China

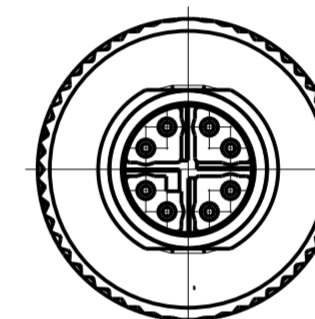
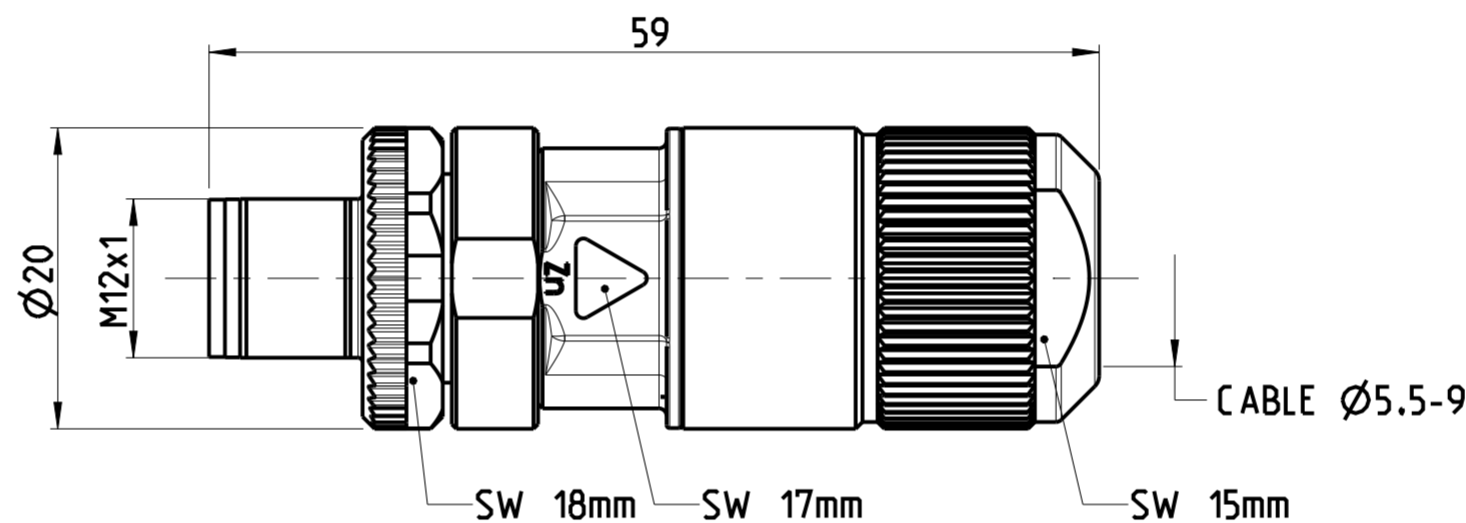
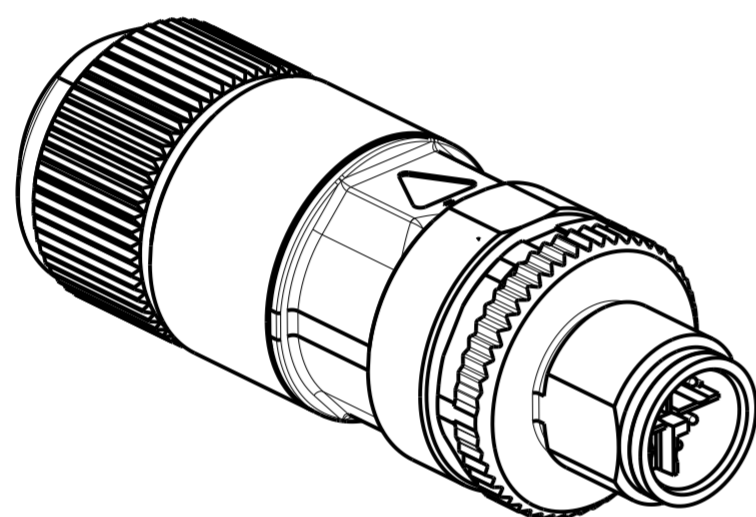


THIS DRAWING IS UNPUBLISHED. VERTRAULICHE UNVERPENTLICHE ZEICHNUNG. RELEASED FOR PUBLICATION FREI FÜR VERÖFFENTLICHUNG. 2014. DATED WITH PASSEND ZU. COPYRIGHT 2014 Tyco Electronics AMP GmbH. ALL RIGHTS RESERVED. ALLE RECHTE VORBEHALTEN.

PROJECT NO.: PRJ-14-00000805

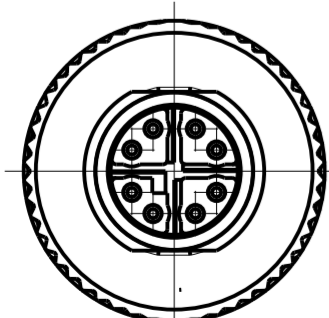
REVISIONS		DATE	DWN	APVD
ÄNDERUNGEN				
P	LTR	DESCRIPTION		
		BESCHREIBUNG		
A1		NEW DRAWING	29MAY2014	YR CS

- 1 MATERIAL: ITEM NO. 1: HOUSING - BRASS NICKEL PLATED / ZINC DIECASTING, NICKEL PLATED  
 ITEM NO. 2: CONTACT BODY - PA  
 ITEM NO. 3: CONTACT - CuZn (brass)  
 CONTACT FINISH - Au (gold)
- 2 ALL DIMENSIONS ARE FOR NOMINAL REFERENCE ONLY UNLESS OTHERWISE STATED
- 3 MEASUREMENT REFERENCE ONLY
- 4 PACKAGING: 1 PIECE IN A TRAY / BLISTER.



PIN ARRANGEMENT X-CODING (SCALE 2:1)

2120952-1



TECHNICAL DATA

2120952-1

RATED VOLTAGE	50 V AC, 60 V DC
RATED IMPULSE VOLTAGE	-
POLLUTION DEGREE	3
OVERVOLTAGE CATEGORY	II
MATERIAL GROUP	II
RATED CURRENT	0.5A
VOLUME RESISTIVITY	≤10mΩ
DEGREE OF PROTECTION	IP67
UPPER TEMPERATURE	+85°C
LOWER TEMPERATURE	-40°C

5.5-9	27-22	⚠	8	2120952-1
CABLE FEED-THROUGH	WIRES	MATERIAL	NUMBER OF POLES	TE-PART-NO.
mm	AWG			

DIESE ZEICHNUNG IST EIN KONTROLLIERTES DOKUMENT. BEMASSUNGEN UND TOLERANZEN GEMAESS GPS (ISO STANDARDS).

THIS DRAWING IS A CONTROLLED DOCUMENT. DIMENSIONING AND TOLERANCING PER GPS (ISO STANDARDS).

DIMENSIONS: MASSE/MASSEN: (MM)	TOLERANCES UNLESS OTHERWISE SPECIFIED: ALLGEMEINTOLERANZEN	DWN YASHKUMAR 29MAY2014	TE Connectivity
		CHK M.STRELOW 29MAY2014	
		APVD C.SCHREITLINGER 29MAY2014	
		NAME M12 MALE, FIELD INSTALLABLE, CONNECTOR, X-CODING	
MATERIAL	ANGLES/WINKEL: ° FINISH/OBERFLÄCHE/FARBE	PRODUCT SPEC	SIZE A2
		APPLICATION SPEC	CAGE CODE 00779
		WEIGHT	DRAWING NO. C-2120952
		Customer Drawing	RESTRICTED TO MUR FUER
		/KUNDENZEICHNUNG	SCALE MASSSTAB 2:1
			SHEET BLATT 1 OF 1
			REV A1

SIZE ISO 14405 (E)