



Chipsmall Limited consists of a professional team with an average of over 10 year of expertise in the distribution of electronic components. Based in Hongkong, we have already established firm and mutual-benefit business relationships with customers from,Europe,America and south Asia,supplying obsolete and hard-to-find components to meet their specific needs.

With the principle of “Quality Parts,Customers Priority,Honest Operation,and Considerate Service”,our business mainly focus on the distribution of electronic components. Line cards we deal with include Microchip,ALPS,ROHM,Xilinx,Pulse,ON,Everlight and Freescale. Main products comprise IC,Modules,Potentiometer,IC Socket,Relay,Connector.Our parts cover such applications as commercial,industrial, and automotives areas.

We are looking forward to setting up business relationship with you and hope to provide you with the best service and solution. Let us make a better world for our industry!



## Contact us

Tel: +86-755-8981 8866 Fax: +86-755-8427 6832

Email & Skype: info@chipsmall.com Web: www.chipsmall.com

Address: A1208, Overseas Decoration Building, #122 Zhenhua RD., Futian, Shenzhen, China

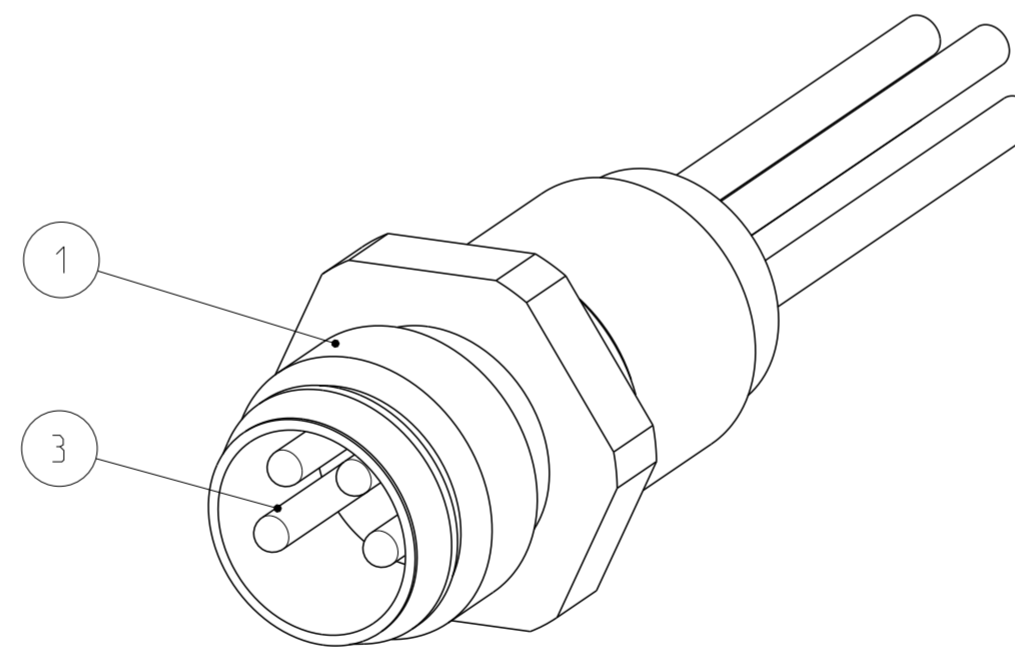
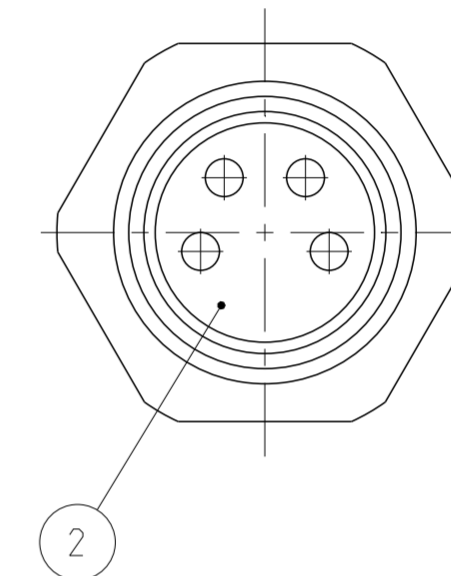
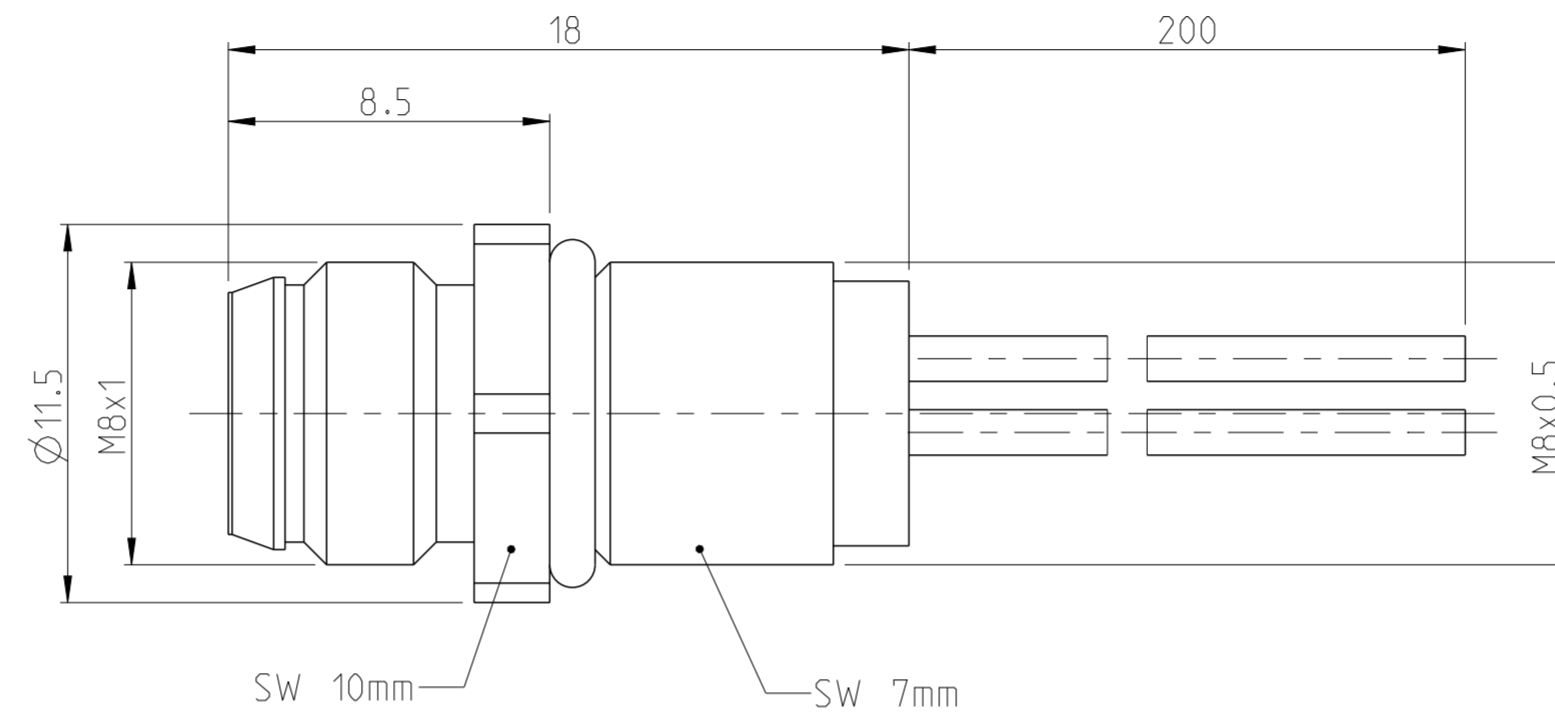


P		LTR	REVISIONS AENDERUNGEN	DESCRIPTION	DATE	DWN	APVD
	A1		NEW DRAWING		08MAY2014	YR	CS

- 1 MATERIAL: ITEM NO. 1: HOUSING - CUZn (BRASS NICKEL PLATED)  
 ITEM NO. 2: CONTACT BODY - PA  
 ITEM NO. 3: CONTACT - CuZn (brass)  
 CONTACT FINISH - Au (gold)

- 2 ALL DIMENSIONS ARE FOR NOMINAL REFERENCE ONLY UNLESS OTHERWISE STATED  
 3 MEASUREMENT REFERENCE ONLY  
 4 PACKAGING: 1 PIECE IN A BAG

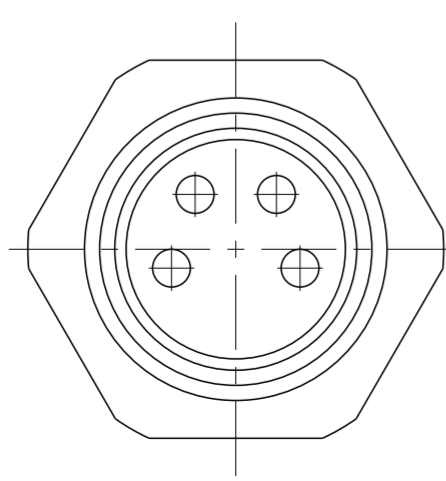
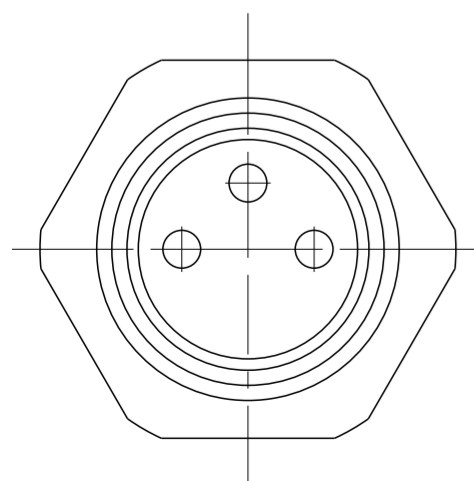
TECHNICAL DATA	0-2120958-1	1-2120958-1
RATED VOLTAGE	60V	30V
RATED IMPULSE VOLTAGE	800V	800V
POLLUTION DEGREE	3	3
OVERVOLTAGE CATEGORY	II	II
MATERIAL GROUP	II	II
RATED CURRENT	4A	4A
VOLUME RESISTIVITY	≤ 3mΩ	≤ 3mΩ
DEGREE OF PROTECTION	IP67	IP67
UPPER TEMPERATURE	+85 °C	+85 °C
LOWER TEMPERATURE	-40 °C	-40 °C



PIN ARRANGEMENT (SCALE 5:1)

0-2120958-1

1-2120958-1



1-1 AS SHOWN WIE GEZEICHNET

24 / 0.25mm <sup>2</sup>	⚠	4	1-2120958-1
24 / 0.25mm <sup>2</sup>	⚠	3	0-2120958-1
WIRES AWG / mm <sup>2</sup>	MATERIAL	NUMBER OF POLES	TE-PART-NO.

DIESE ZEICHNUNG IST EIN KONTROLLIERTES DOKUMENT. BEMASSUNGEN UND TOLERANZEN GEMAESS GPS (ISO STANDARDS).		DWN YASHKUMAR 08MAY2014	
THIS DRAWING IS A CONTROLLED DOCUMENT. DIMENSIONING AND TOLERANCING PER GPS (ISO STANDARDS).		CHK M. STRELOW 08MAY2014	
DIMENSIONS: MASSEINHEITEN: (MM)		APVD C. SCHRETLINGER 08MAY2014	
TOLERANCES UNLESS OTHERWISE SPECIFIED: ALLGEMEINTOLERANZEN		NAME M8 MALE PANEL MOUNT CONNECTOR, SOLDER TERMINALS.	
0 PLC ±	1 PLC ±	SIZE A2	CAGE CODE 00779
2 PLC ±	3 PLC ±	DRAWING NO. C-2120958	RESTRICTED TO NUR FUER
4 PLC ±	ANGLES/WINKEL ±	SCALE 5:1	SHEET 1 OF 1
FINISH/OBERFLAECHE/FARBE	WEIGHT GEWICHT	Customer Drawing	REVISION A1

SIZE ISO 14405 (E)