



Chipsmall Limited consists of a professional team with an average of over 10 year of expertise in the distribution of electronic components. Based in Hongkong, we have already established firm and mutual-benefit business relationships with customers from,Europe,America and south Asia,supplying obsolete and hard-to-find components to meet their specific needs.

With the principle of “Quality Parts,Customers Priority,Honest Operation,and Considerate Service”,our business mainly focus on the distribution of electronic components. Line cards we deal with include Microchip,ALPS,ROHM,Xilinx,Pulse,ON,Everlight and Freescale. Main products comprise IC,Modules,Potentiometer,IC Socket,Relay,Connector.Our parts cover such applications as commercial,industrial, and automotives areas.

We are looking forward to setting up business relationship with you and hope to provide you with the best service and solution. Let us make a better world for our industry!



Contact us

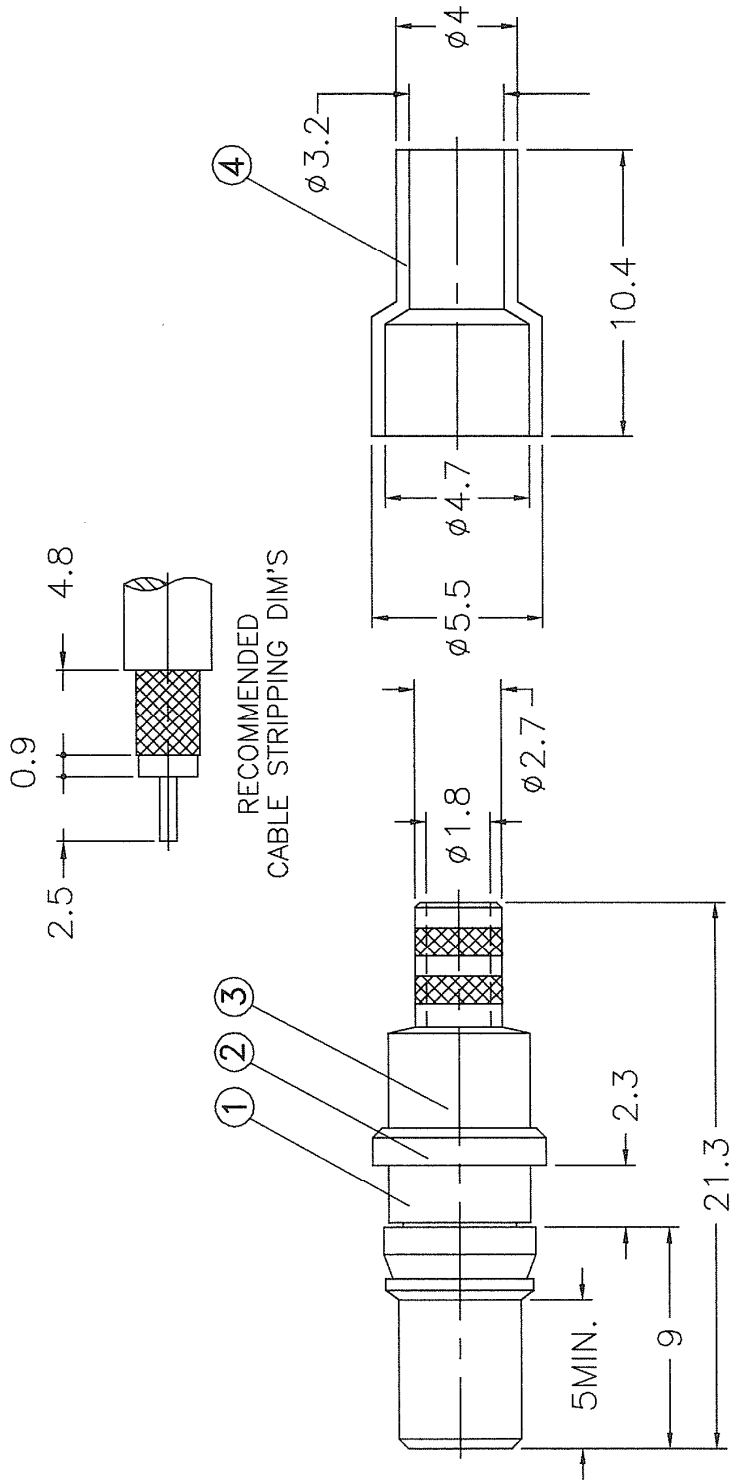
Tel: +86-755-8981 8866 Fax: +86-755-8427 6832

Email & Skype: info@chipsmall.com Web: www.chipsmall.com

Address: A1208, Overseas Decoration Building, #122 Zhenhua RD., Futian, Shenzhen, China



REVISIONS		DWG. NO.	SH	REV.
ZONE	LTR	DESCRIPTION	DATE	APPROVED



DESCRIPTION	MATERIAL	FINISH	DIMENSIONS ARE IN MILLIMETERS UNLESS OTHERWISE SPECIFIED TOLERANCES ARE:		APPROVALS	DATE
1 BODY	BRASS	NICKEL	0.5-6 = ± 0.2		DRAWN	4/15/96
2 INSULATOR	TEFLON	NATURAL	6-30 = ± 0.4		CHECKED	
3 CONTACT	PHOSPHOR BRONZE	GOLD	30-120 = ± 0.6		ISSUED	
4 FERRULE	BRASS	NICKEL	120-315 = ± 1			
5			315-1000 = ± 1.6			
6			1000-2000 = ± 2.4			
7						
8						

D-SUB CRIMP PLUG	
(FOR RG-174/U, 188A/U, 316/U)	
TITLE	
SIZE	FSCM NO.
A	99001
DWG. NO.	212100.DWG
SCALE	3.5:1
PART NO.	212100
SHEET	1 OF 1