



Chipsmall Limited consists of a professional team with an average of over 10 year of expertise in the distribution of electronic components. Based in Hongkong, we have already established firm and mutual-benefit business relationships with customers from,Europe,America and south Asia,supplying obsolete and hard-to-find components to meet their specific needs.

With the principle of “Quality Parts,Customers Priority,Honest Operation,and Considerate Service”,our business mainly focus on the distribution of electronic components. Line cards we deal with include Microchip,ALPS,ROHM,Xilinx,Pulse,ON,Everlight and Freescale. Main products comprise IC,Modules,Potentiometer,IC Socket,Relay,Connector.Our parts cover such applications as commercial,industrial, and automotives areas.

We are looking forward to setting up business relationship with you and hope to provide you with the best service and solution. Let us make a better world for our industry!



Contact us

Tel: +86-755-8981 8866 Fax: +86-755-8427 6832

Email & Skype: info@chipsmall.com Web: www.chipsmall.com

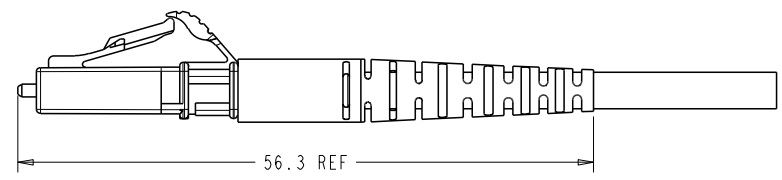
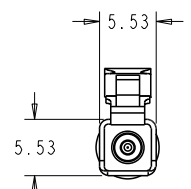
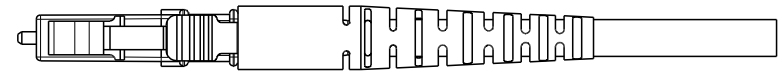
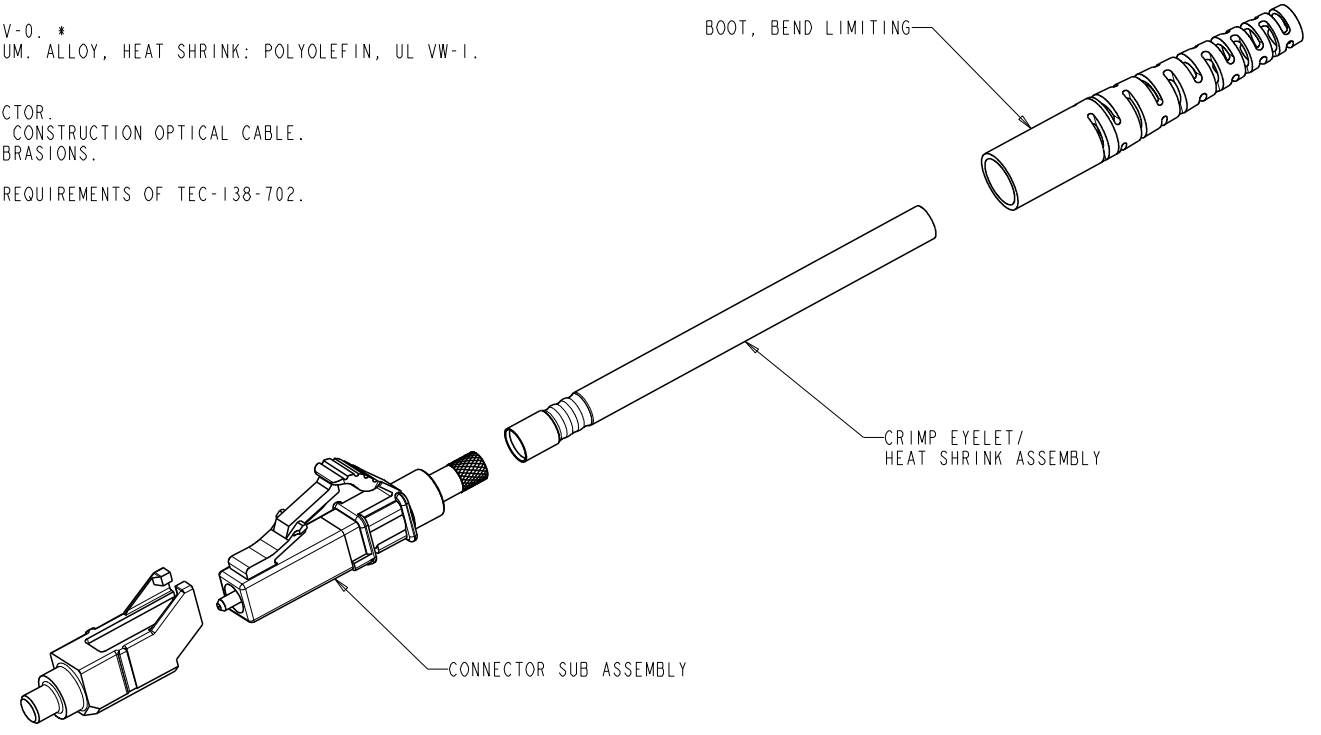
Address: A1208, Overseas Decoration Building, #122 Zhenhua RD., Futian, Shenzhen, China



LOC	DIST	REVISIONS			
P	LT#	DESCRIPTION	DATE	OWN	APVD
C		ECR-14-016330	06NOV2014	HZ	RZ
D		ECR-14-019305	13JAN2015	KG	SM

△ MATERIAL: PROTECTIVE COVER: TPE, COLOR:BLACK, UL94 HB. *
 FERRULE SUB ASSEMBLY: ZIRCONIA/ALUM ALLOY.
 COMPRESSION SPRING: STAINLESS STEEL.
 FRONT HOUSING: PPSU, COLOR: SEE TABLE, UL94 V-0. *
 REAR BODY: ALUM ALLOY.
 BOOT: PP, COLOR: SEE TABLE, UL94 V-0. *
 CRIMP EYELET/HEAT SHRINK ASSY: ALUM. ALLOY, HEAT SHRINK: POLYOLEFIN, UL VW-1.
 *RATED AT QUALIFYING THICKNESS.

- THIS IS A NON-PULL PROOF LC CONNECTOR.
 IT IS DESIGNED FOR USE WITH TIGHT CONSTRUCTION OPTICAL CABLE.
 UNDER LOADS YOU MAY SEE ENDFACE ABRASIONS.
- PRODUCT AND PROCESSING MUST MEET REQUIREMENTS OF TEC-138-702.



BLUE	SINGLEMODE	2123265-2
BEIGE	MULTIMODE	2123265-1
COLOR	TYPE	PART NUMBER

THIS DRAWING IS A CONTROLLED DOCUMENT.

OWN: B. BRIGGS	22FEB2010	TE Connectivity
CHK: S. MILLER	22FEB2010	
APVD: D. BAECHTLER	22FEB2010	
PRODUCT SPEC		
APPLICATION SPEC		NAME: CONNECTOR KIT, LC, SIMPLEX JUMPER, TIGHT JACKET STYLE, 2.4mm
MATERIAL		SIZE: A2 CAGE CODE: 00779 DRAWING NO: C=2123265
WEIGHT		RESTRICTED TO
Customer Drawing	SCALE: 3:1	SHEET 1 OF 1 REV D