



Chipsmall Limited consists of a professional team with an average of over 10 year of expertise in the distribution of electronic components. Based in Hongkong, we have already established firm and mutual-benefit business relationships with customers from,Europe,America and south Asia,supplying obsolete and hard-to-find components to meet their specific needs.

With the principle of “Quality Parts,Customers Priority,Honest Operation,and Considerate Service”,our business mainly focus on the distribution of electronic components. Line cards we deal with include Microchip,ALPS,ROHM,Xilinx,Pulse,ON,Everlight and Freescale. Main products comprise IC,Modules,Potentiometer,IC Socket,Relay,Connector.Our parts cover such applications as commercial,industrial, and automotives areas.

We are looking forward to setting up business relationship with you and hope to provide you with the best service and solution. Let us make a better world for our industry!



Contact us

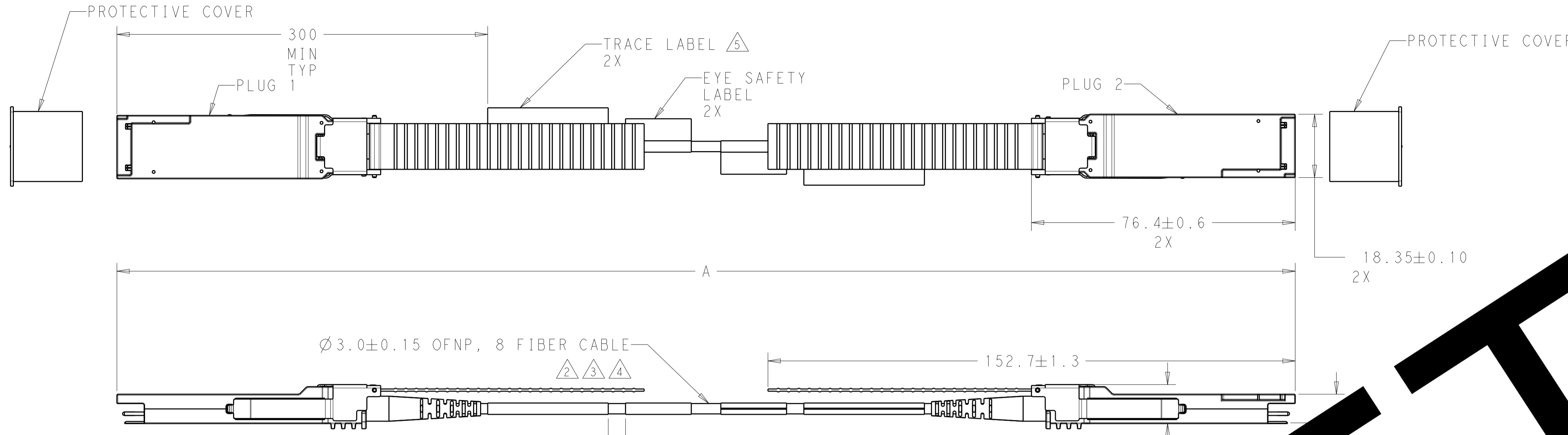
Tel: +86-755-8981 8866 Fax: +86-755-8427 6832

Email & Skype: info@chipsmall.com Web: www.chipsmall.com

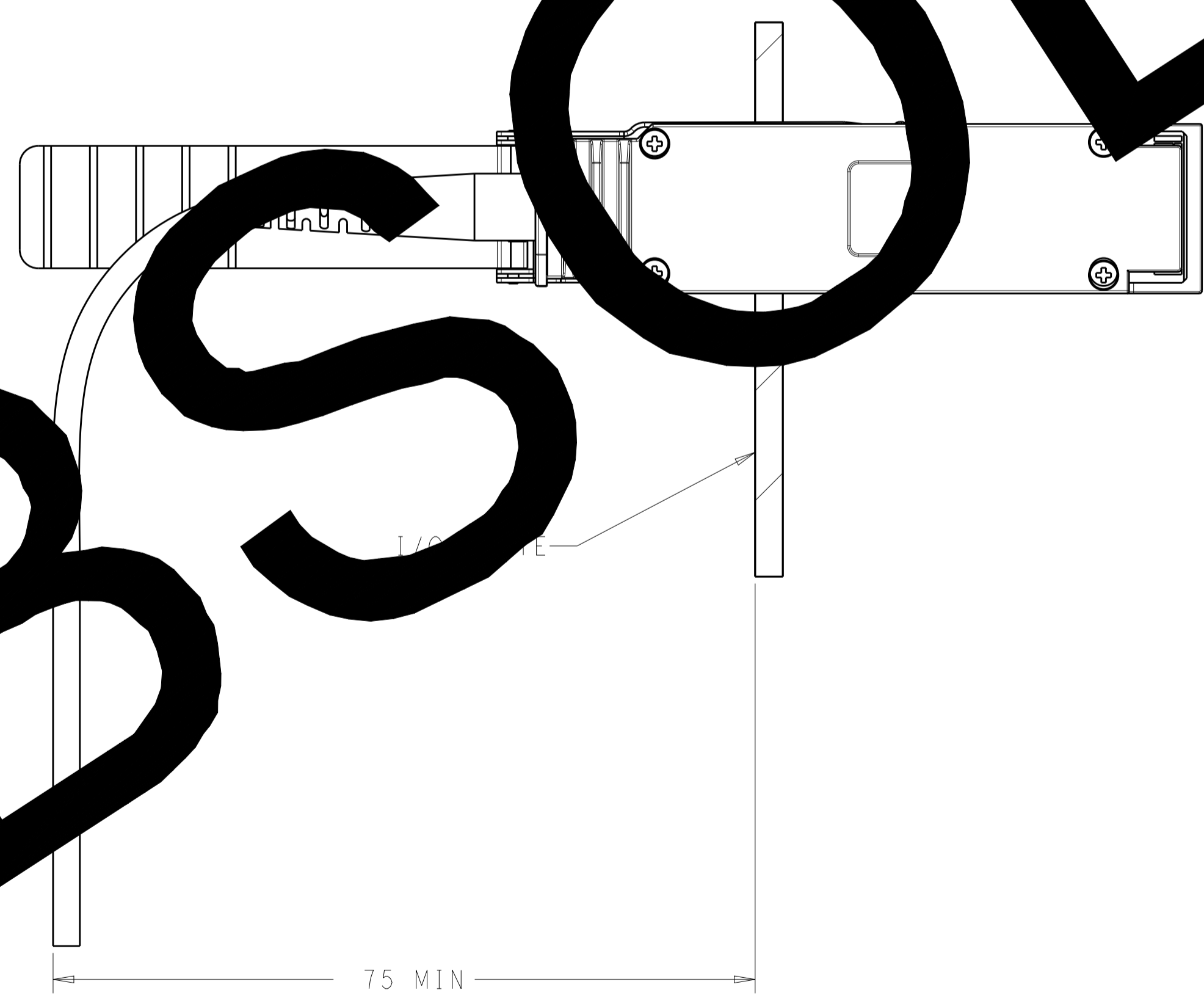
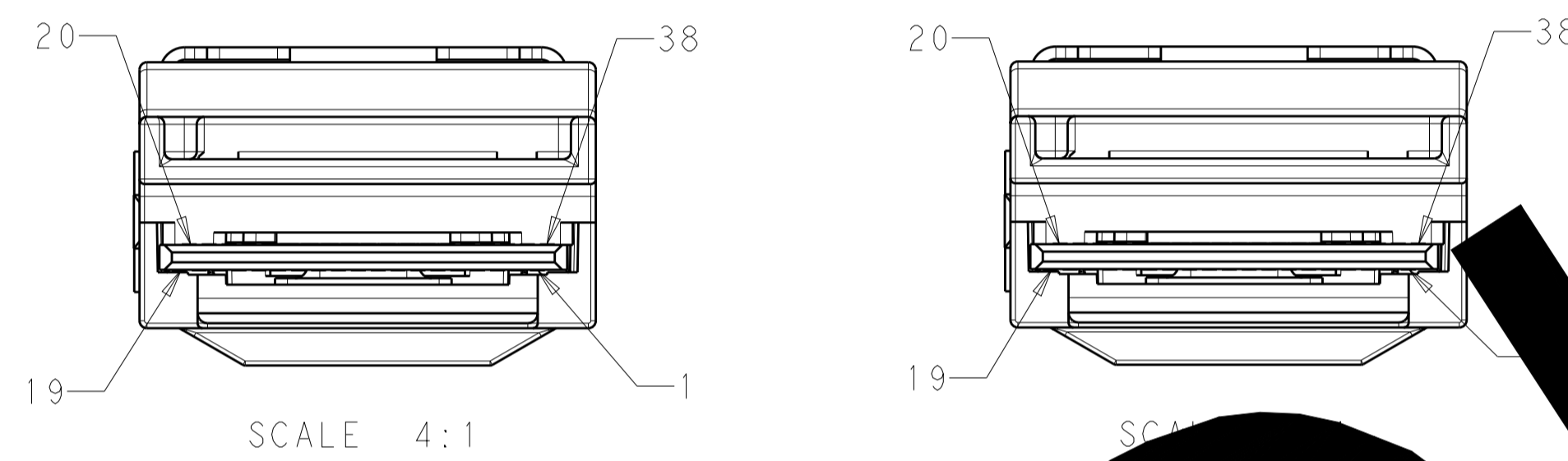
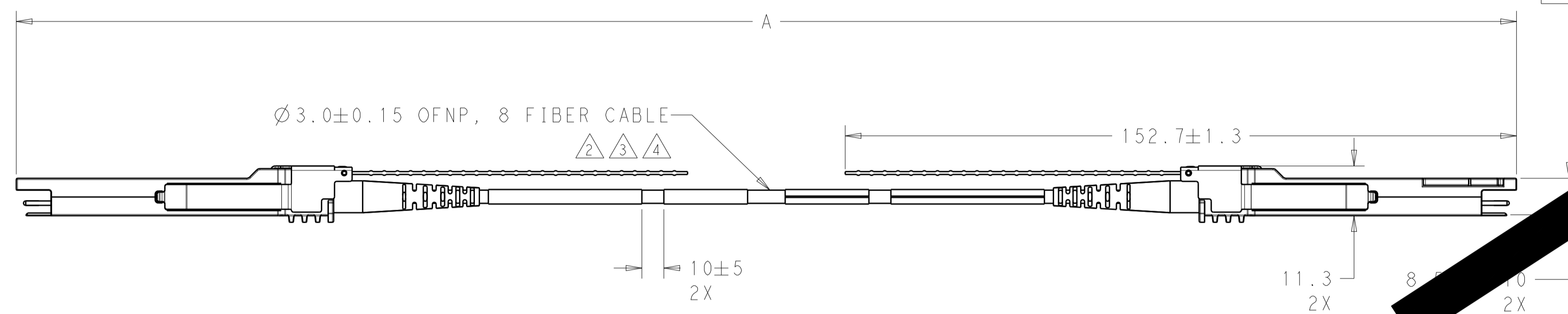
Address: A1208, Overseas Decoration Building, #122 Zhenhua RD., Futian, Shenzhen, China



LOC	DIST	REVISIONS			
REV	DATE	BY	CHK	APPV	
G	05FEB2015	SW	RZ		
G1	08JUL2016	DEH	JC		



- CONFORMS TO 8-1773461-8 PRODUCT PERFORMANCE REQUIREMENTS, VERIFIED IN ACCORDANCE WITH 501-122042.
- CAUTION! CUTTING CABLE MAY RESULT IN HAZARDOUS RADIATION EXPOSURE.
- CONFORMS TO GR-409-CORE INTERCONNECT CABLE REQUIREMENTS.
- STANDARD OM2 CABLE TO BE USED FOR LENGTHS UP TO 30 METERS, OM3 CABLE FOR LENGTHS OVER 30 METERS.
- SEE TRACE LABEL FOR CABLE IDENTIFICATION.
- CHASSIS GROUND IS ISOLATED FROM SIGNAL GROUND (GND) IN THE CHASSIS GROUND CONNECTOR.
- THESE CABLES ARE NOT CARRIED THROUGH TO THE OTHER END, SINCE EACH END OF THE CABLE IS POWERED SEPARATELY.
- THE QSFP MODULES IMPLEMENT THE I²C INTERFACE DESCRIBED IN SFF-8636 REV 1.0.
- EEPROM PROGRAM NUMBER 2123909.EEPROM_CD REV G. CONTAINS FIRMWARE REVISION 6.15.



OBSOLETE

21±0.21	2-2123909-4
19±0.19	2-2123909-3
18±0.18	2-2123909-2
17±0.17	2-2123909-1
16±0.16	2-2123909-0
14±0.15	1-2123909-9
13±0.15	1-2123909-8
12±0.15	1-2123909-7
11±0.15	1-2123909-6
9±0.15	1-2123909-5
8±0.15	1-2123909-4
7±0.15	1-2123909-3
1±0.15	1-2123909-2
100±0.15	1-2123909-1
50±0.50	1-2123909-0
40±0.40	2123909-9
30±0.30	2123909-8
25±0.25	2123909-7
20±0.20	2123909-6
15±0.15	2123909-5
10±0.15	2123909-4
5±0.15	2123909-3
3±0.15	2123909-2
2±0.15	2123909-1
$\Delta A / (m)$	PART NUMBER

THIS DRAWING IS A CONTROLLED DOCUMENT.

OWN: B. FAIR 13JUNE2013
 CHK: B. BRIGGS 13JUNE2013
 APVD: D. BAECHTLE 13JUNE2013

DIMENSIONS: mm
 TOLERANCES UNLESS OTHERWISE SPECIFIED:
 0 PLC ±
 1 PLC ±
 2 PLC ±
 3 PLC ±
 4 PLC ±
 ANGLES ±
 MATERIAL: -
 FINISH: -

PRODUCT SPEC: -
 APPLICATION SPEC: -
 WEIGHT: -

Customer Drawing

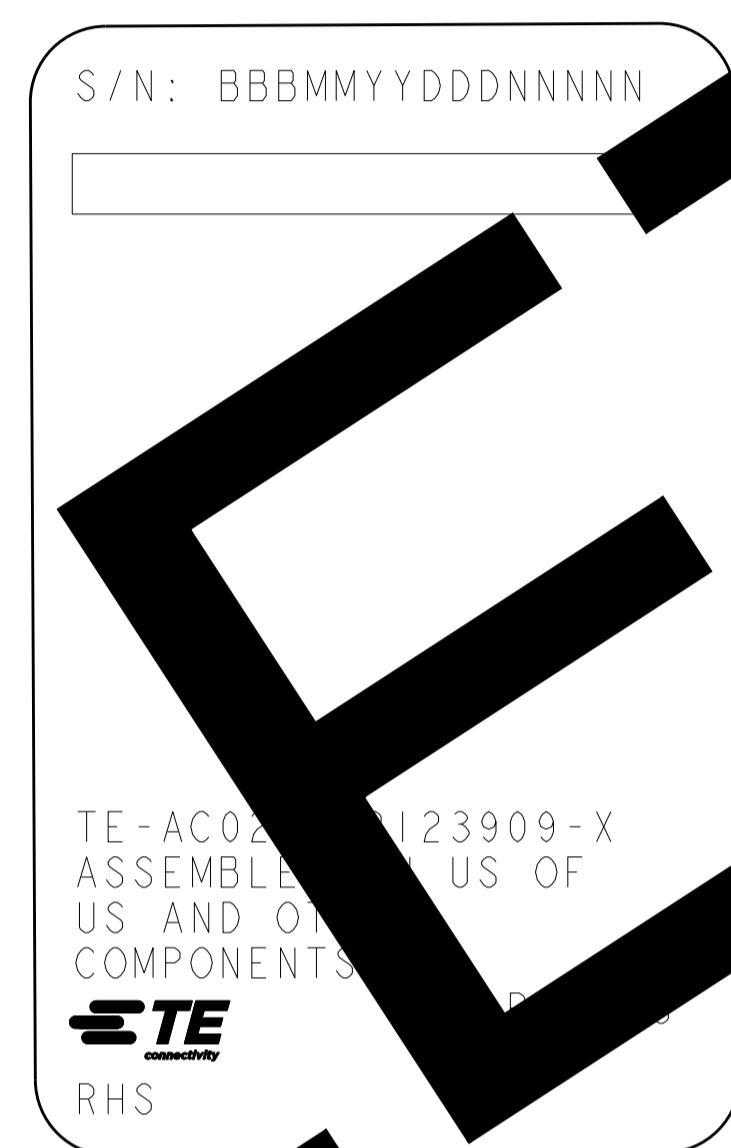
NAME: 40GbE, QSFP+(10), PARALIGHT, AOCA
 SIZE: A1
 CAGE CODE: 100779
 DRAWING NO: C=2123909
 SCALE: 5:4
 SHEET: 1 OF 2
 REV: G1

TE Connectivity

LOC	DIST	REVISIONS			
P	LYR	DESCRIPTION	DATE	DWN	APVD
-	-	SEE SHEET 1	-	-	-

QSFP	
PIN NO.	SIGNAL
1	GND
2	Tx2n
3	Tx2p
4	GND
5	Tx4n
6	Tx4p
7	GND
8	ModSeIL
9	ResetL
10	Vcc Rx
11	SCL
12	SDA
13	GND
14	Rx3p
15	Rx3n
16	GND
17	Rx1p
18	Rx1n
19	GND
20	GND
21	Rx2n
22	Rx2p
23	GND
24	Rx4n
25	Rx4p
26	GND
27	ModPrsL
28	InTL
29	Vcc Tx
30	Vcc1
31	LPMode
32	GND
33	Tx3p
34	Tx3n
35	GND
36	Tx1p
37	Tx1n
38	GND

OBSOLETE



BAR CODE

TE-AC02- = PREFIX (LAST SAFETY ID)
 X-2123909-X = TE 171 PART NUMBER

SERIAL NUMBER BBBMMYYDDDDNNNNN
 BB = BUILDING NUMBER
 YY = MANUFACTURING LOCATION
 DD = TWO DIGIT YEAR
 MM = ORDINAL DATE
 NN = FIVE DIGIT SERIAL NUMBER

COUNTRY OF ORIGIN
 WHEN MANUFACTURED
 OUTSIDE THE US LABEL
 MUST READ "MADE IN XXXXX",
 WHERE XXXXX REPRESENTS
 THE COUNTRY OF MANUFACTURING.

TE LOGO & CUSTOMER PRINT REV

THE LABEL INFORMATION
 LAST SAFETY IDENTIFICATION IS BASED ON THE PREFIX
 AND IS THE ONLY MANUFACTURE VISIBLE ON
 THE LABEL.

THIS DRAWING IS A CONTROLLED DOCUMENT.		DWN B. FAIR 13JUNE2013	TE Connectivity NAME 40GbE, QSFP+(10), PARALIGHT, AOCA
DIMENSIONS:		CHK B. BRIGGS 13JUNE2013	
mm	TOLERANCES UNLESS OTHERWISE SPECIFIED:	APVD D. BAECHTLE 13JUNE2013	PRODUCT SPEC
	0 PLC ±	APPLICATION SPEC	SIZE CAGE CODE DRAWING NO
	1 PLC ±	RESTRICTED TO	A100779C=2123909
	2 PLC ±		SCALE 5:4 SHEET 2 OF 2 REV G1
	3 PLC ±		
	4 PLC ±		
	ANGLES ±		
MATERIAL	FINISH	WEIGHT	Customer Drawing