



Chipsmall Limited consists of a professional team with an average of over 10 year of expertise in the distribution of electronic components. Based in Hongkong, we have already established firm and mutual-benefit business relationships with customers from,Europe,America and south Asia,supplying obsolete and hard-to-find components to meet their specific needs.

With the principle of “Quality Parts,Customers Priority,Honest Operation,and Considerate Service”,our business mainly focus on the distribution of electronic components. Line cards we deal with include Microchip,ALPS,ROHM,Xilinx,Pulse,ON,Everlight and Freescale. Main products comprise IC,Modules,Potentiometer,IC Socket,Relay,Connector.Our parts cover such applications as commercial,industrial, and automotives areas.

We are looking forward to setting up business relationship with you and hope to provide you with the best service and solution. Let us make a better world for our industry!



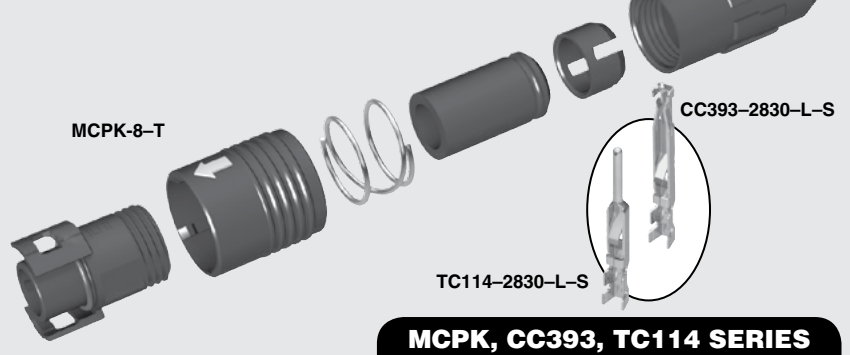
## Contact us

Tel: +86-755-8981 8866 Fax: +86-755-8427 6832

Email & Skype: info@chipsmall.com Web: www.chipsmall.com

Address: A1208, Overseas Decoration Building, #122 Zhenhua RD., Futian, Shenzhen, China





MCPK, CC393, TC114 SERIES

# 8 SERIES IP67 FIELD TERMINATION KIT

Mates with:  
MCR(K), MCP(K)

## SPECIFICATIONS

For complete specifications see [www.samtec.com?MCPK](http://www.samtec.com?MCPK)

- Insulator Material:** PPS
- Terminal Material:** Phosphor Bronze
- Contact Material:** Phosphor Bronze
- Operating Temp Range:** -20 °C to +80 °C
- Gasket Material:** Silicone
- Spring Material:** Stainless Steel
- Coupling Ring Spacer:** PBT
- Cable Clamp:** POM
- RoHS Compliant:** Yes

## DUST CAPS

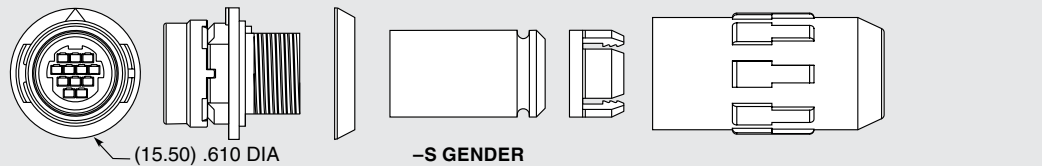
- -S (Socket) = DCA-MCR-8
  - -T (Terminal) = DCA-MCP-8
- Visit [sealedio.samtec.com](http://sealedio.samtec.com) for a complete list of sealed systems

**Note:** Samtec's MCPK Series is dual sourced by Hirose Electric Co., LTD.

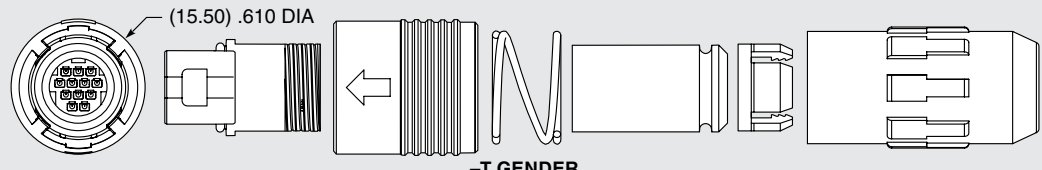


-T = Terminal (12 positions)

-S = Socket (12 positions)



-S GENDER



-T GENDER

## SPECIFICATIONS

For complete specifications see [www.samtec.com?CC393](http://www.samtec.com?CC393) or [www.samtec.com?TC114](http://www.samtec.com?TC114)

**Plating:**  
10 µ" (0.25 µm) Gold on contact

## TOOLING

- Hand tool:  
CAT-HT-393-2430-13
- Mini Applicator  
(28-30 AWG):  
CAT-MA-393-2830-XX-01
- Extraction Tool:  
CAT-EX-MCX-8-01



**CC393**  
= Contact

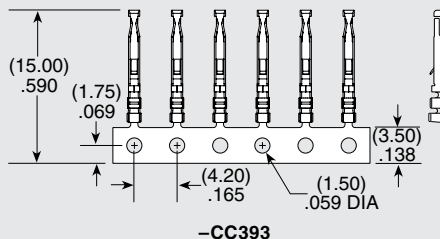
**TC114**  
= Terminal

**-2830**  
= 28 to 30 AWG

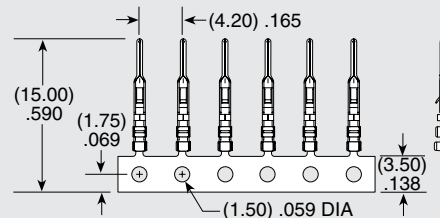
**-S**  
= Strip  
(15 contacts or terminals)

**-M**  
= Mini Reel  
(1,000 - 5,000 contacts or terminals)

**-R**  
= Reel  
(20,000 contacts or terminals)



-CC393



-TC114