



Chipsmall Limited consists of a professional team with an average of over 10 year of expertise in the distribution of electronic components. Based in Hongkong, we have already established firm and mutual-benefit business relationships with customers from,Europe,America and south Asia,supplying obsolete and hard-to-find components to meet their specific needs.

With the principle of “Quality Parts,Customers Priority,Honest Operation,and Considerate Service”,our business mainly focus on the distribution of electronic components. Line cards we deal with include Microchip,ALPS,ROHM,Xilinx,Pulse,ON,Everlight and Freescale. Main products comprise IC,Modules,Potentiometer,IC Socket,Relay,Connector.Our parts cover such applications as commercial,industrial, and automotives areas.

We are looking forward to setting up business relationship with you and hope to provide you with the best service and solution. Let us make a better world for our industry!



Contact us

Tel: +86-755-8981 8866 Fax: +86-755-8427 6832

Email & Skype: info@chipsmall.com Web: www.chipsmall.com

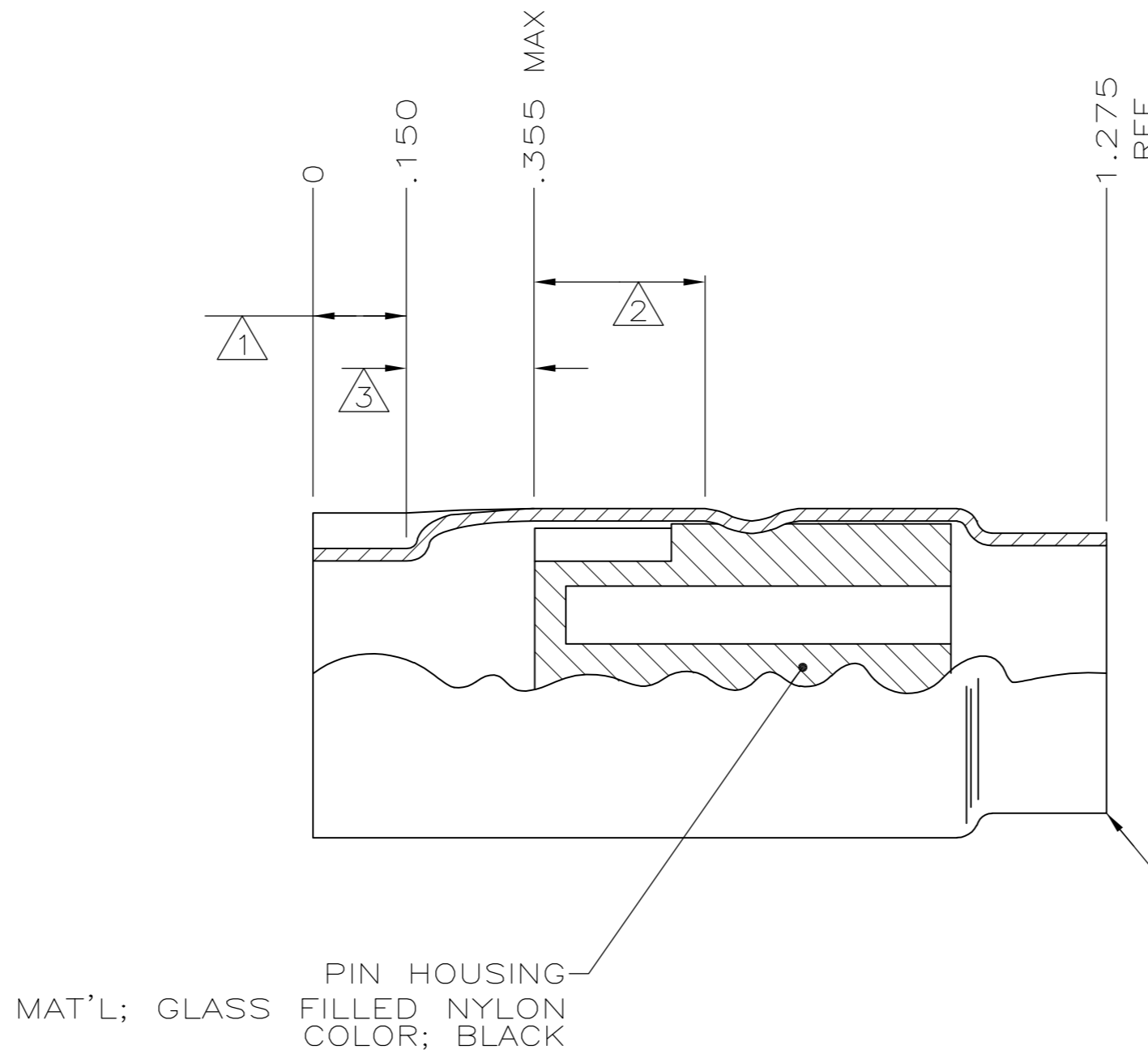
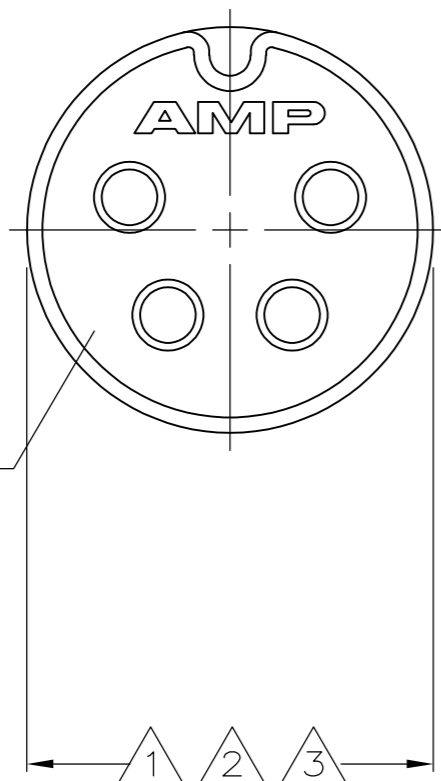
Address: A1208, Overseas Decoration Building, #122 Zhenhua RD., Futian, Shenzhen, China



THIS DRAWING IS UNPUBLISHED. RELEASED FOR PUBLICATION
 © COPYRIGHT - By - ALL RIGHTS RESERVED.

LOC		DIST		REVISIONS			
P	LTR	DESCRIPTION	DATE	DWN	APVD		
GP	00	J1	REVISED PER ECO-11-005033	23MAR11	RK	HMR	

4 POSN MATING FACE SHOWN, REF ONLY



- △1 SHELL DIAMETER IN THIS AREA TO BE $.529 \pm .005$ MEASURED ANYWHERE EXCEPT OVER KEY.
- △2 SHELL DIAMETER IN THIS AREA TO BE $.531 \pm .003$.
- △3 SHELL DIAMETER IN KEY TRANSITION AREA MAY NOT EXCEED $.535$ AT ANY MEASUREMENT POINT.
- △4 TIN-LEAD.
- △5 TIN.

	△5	CIRCULAR DIN SUB-ASSEMBLY, 8 POSITION	9-212437-2
	△5	CIRCULAR DIN SUB-ASSEMBLY, 6 POSITION	9-212437-1
	△5	CIRCULAR DIN SUB-ASSEMBLY, 5 POSITION	9-212437-0
	△5	CIRCULAR DIN SUB-ASSEMBLY, 4 POSITION	212437-7
OBSOLETE	△4	CIRCULAR DIN SUB-ASSEMBLY, 8 POSITION	212437-6
OBSOLETE	△4	CIRCULAR DIN SUB-ASSEMBLY, 7 POSITION	212437-5
OBSOLETE	△4	CIRCULAR DIN SUB-ASSEMBLY, 6 POSITION	212437-4
OBSOLETE	△4	CIRCULAR DIN SUB-ASSEMBLY, 5 POSITION	212437-3
OBSOLETE	△4	CIRCULAR DIN SUB-ASSEMBLY, 4 POSITION	212437-2
OBSOLETE	△4	CIRCULAR DIN SUB-ASSEMBLY, 3 POSITION	212437-1

SHIELD FINISH	DESCRIPTION	PART NUMBER

THIS DRAWING IS A CONTROLLED DOCUMENT.		DWN 11-10-05 L. Varela - Dock5	TE TE Connectivity	
DIMENSIONS: INCHES		CHK 11-10-05 C. ROHDE		
TOLERANCES UNLESS OTHERWISE SPECIFIED:		APVD 11-10-05 M. WALMSLEY	NAME CIRCULAR DIN PLUG, SUB-ASSEMBLY	
0 PLC ± - 1 PLC ± - 2 PLC ± - 3 PLC ± .010 4 PLC ± - ANGLES ± -		PRODUCT SPEC	SIZE CAGE CODE DRAWING NO RESTRICTED TO	
MATERIAL SEE TABLE		FINISH SEE TABLE	A2 00779 C-212437	
		WEIGHT -	SCALE 1:1 SHEET 1 of 1 REV J1	
		CUSTOMER DRAWING		