



Chipsmall Limited consists of a professional team with an average of over 10 year of expertise in the distribution of electronic components. Based in Hongkong, we have already established firm and mutual-benefit business relationships with customers from,Europe,America and south Asia,supplying obsolete and hard-to-find components to meet their specific needs.

With the principle of “Quality Parts,Customers Priority,Honest Operation,and Considerate Service”,our business mainly focus on the distribution of electronic components. Line cards we deal with include Microchip,ALPS,ROHM,Xilinx,Pulse,ON,Everlight and Freescale. Main products comprise IC,Modules,Potentiometer,IC Socket,Relay,Connector.Our parts cover such applications as commercial,industrial, and automotives areas.

We are looking forward to setting up business relationship with you and hope to provide you with the best service and solution. Let us make a better world for our industry!



Contact us

Tel: +86-755-8981 8866 Fax: +86-755-8427 6832

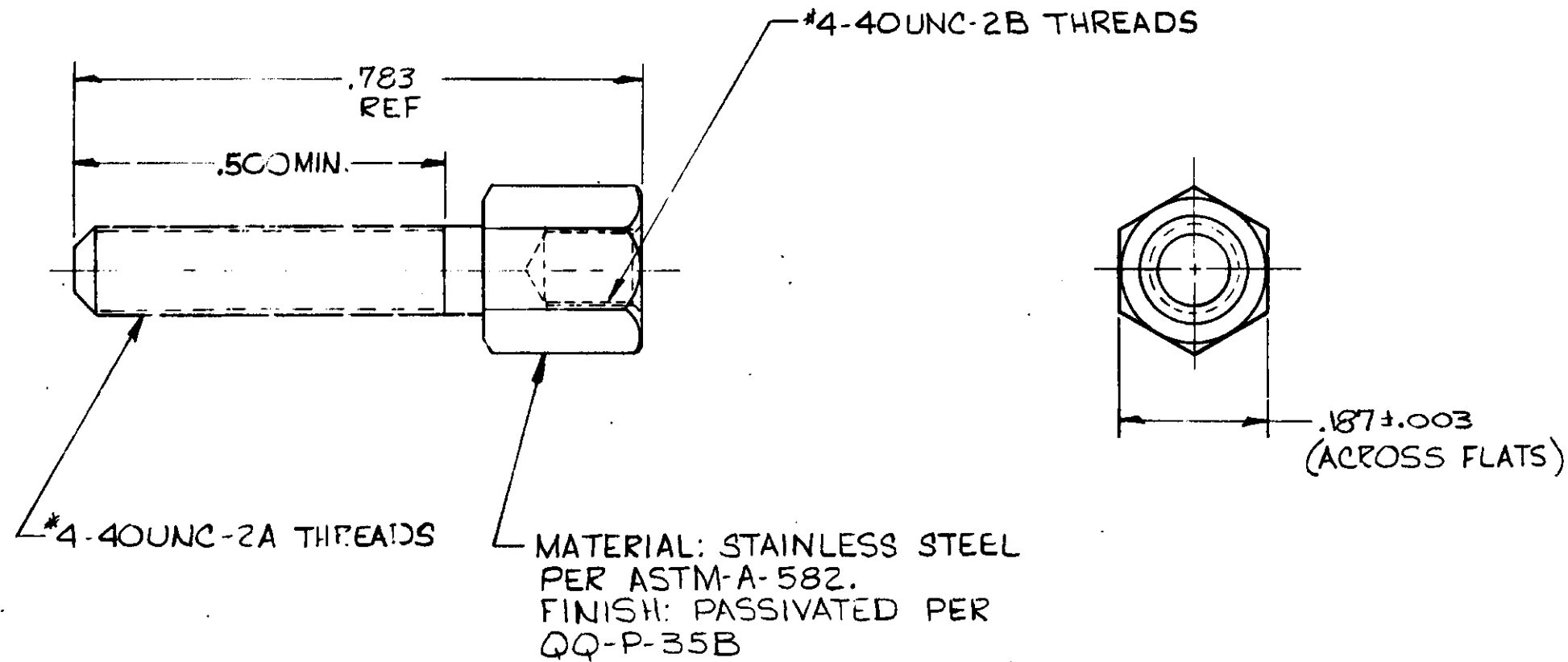
Email & Skype: info@chipsmall.com Web: www.chipsmall.com

Address: A1208, Overseas Decoration Building, #122 Zhenhua RD., Futian, Shenzhen, China



THIS DRAWING IS UNPUBLISHED. RELEASED FOR PUBLICATION, 19
 © COPYRIGHT 19 BY AMP INCORPORATED, HARRISBURG, PA. ALL INTERNATIONAL RIGHTS RESERVED. AMP PRODUCTS MAY BE COVERED BY U.S. AND FOREIGN PATENTS AND/OR PATENTS PENDING.

REVISIONS					DATE	APPROVED
P	F	ZONE	LTR	DESCRIPTION		
/	/		R	ECO-10-010402	PY 6-10	RL



MATERIAL: STAINLESS STEEL
 PER ASTM-A-582.
 FINISH: PASSIVATED PER
 QQ-P-35B

UNLESS OTHERWISE SPECIFIED DIMENSIONS ARE IN INCHES. TOLERANCES ON: DECIMALS ± .001 ANGLES ± .001		CONTRACT NO		AS SHOWN		212452-1	
MATERIAL SEE CALLOUTS		DR R. G. [Signature] 2-27-84		DESCRIPTION		PART NO	
FINISH SEE CALLOUTS		CHK [Signature] 2-28-84		AMP		AMP INCORPORATED Harrisburg, Pa.	
		APPD [Signature] 2-29-84		NAME SCREWLOCK, FEMALE, AMPLIMITE, NON-MAG.			
		DSC & APPD [Signature] 3/4/84		SIZE B	FSCM NO 00779	DRAWING NO 212452	REV R
		OTHER APPD		SCALE NTS	SHEET 1 OF 1		