



Chipsmall Limited consists of a professional team with an average of over 10 year of expertise in the distribution of electronic components. Based in Hongkong, we have already established firm and mutual-benefit business relationships with customers from,Europe,America and south Asia,supplying obsolete and hard-to-find components to meet their specific needs.

With the principle of “Quality Parts,Customers Priority,Honest Operation,and Considerate Service”,our business mainly focus on the distribution of electronic components. Line cards we deal with include Microchip,ALPS,ROHM,Xilinx,Pulse,ON,Everlight and Freescale. Main products comprise IC,Modules,Potentiometer,IC Socket,Relay,Connector.Our parts cover such applications as commercial,industrial, and automotives areas.

We are looking forward to setting up business relationship with you and hope to provide you with the best service and solution. Let us make a better world for our industry!



Contact us

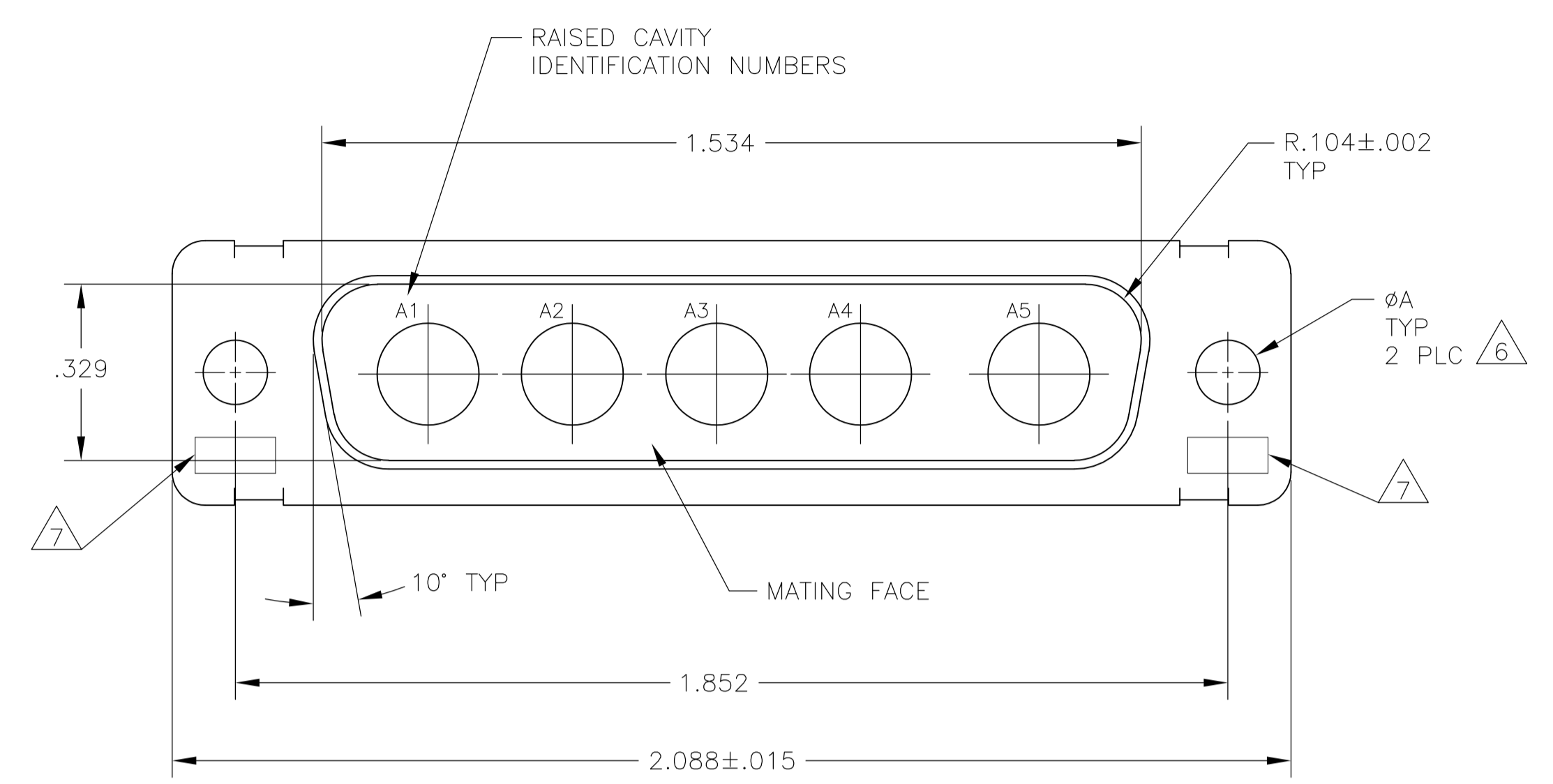
Tel: +86-755-8981 8866 Fax: +86-755-8427 6832

Email & Skype: info@chipsmall.com Web: www.chipsmall.com

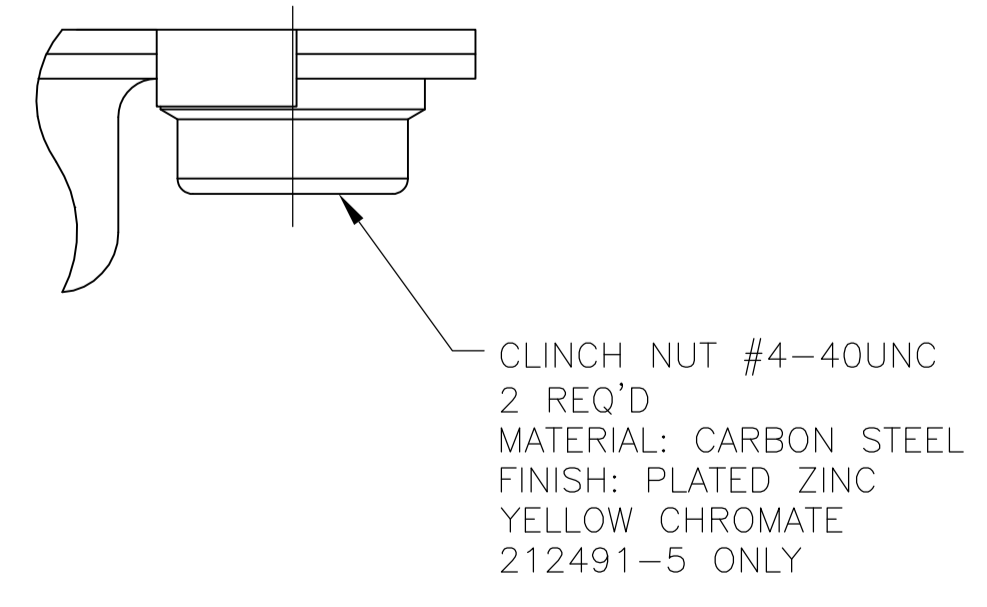
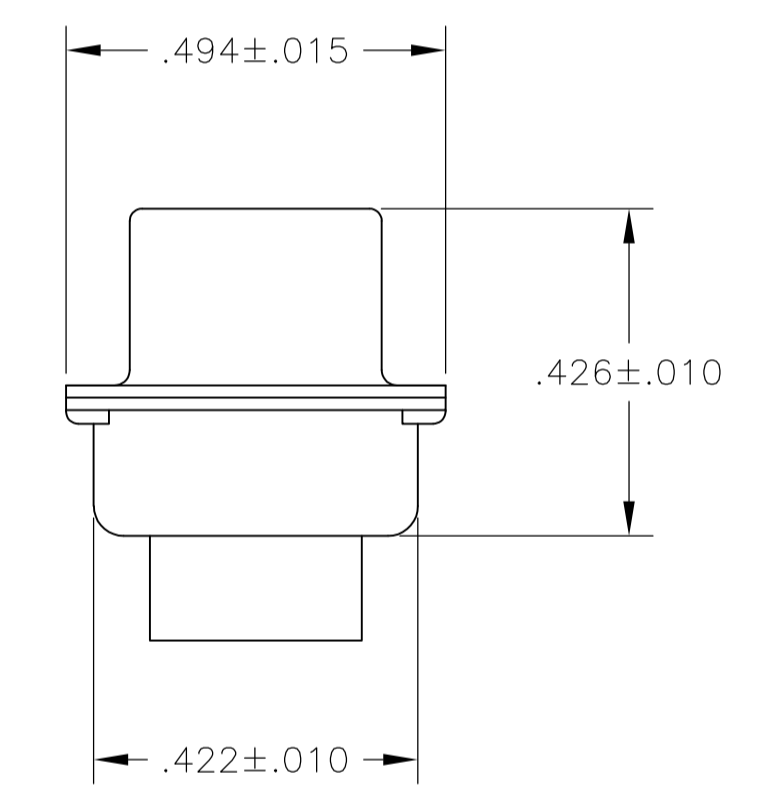
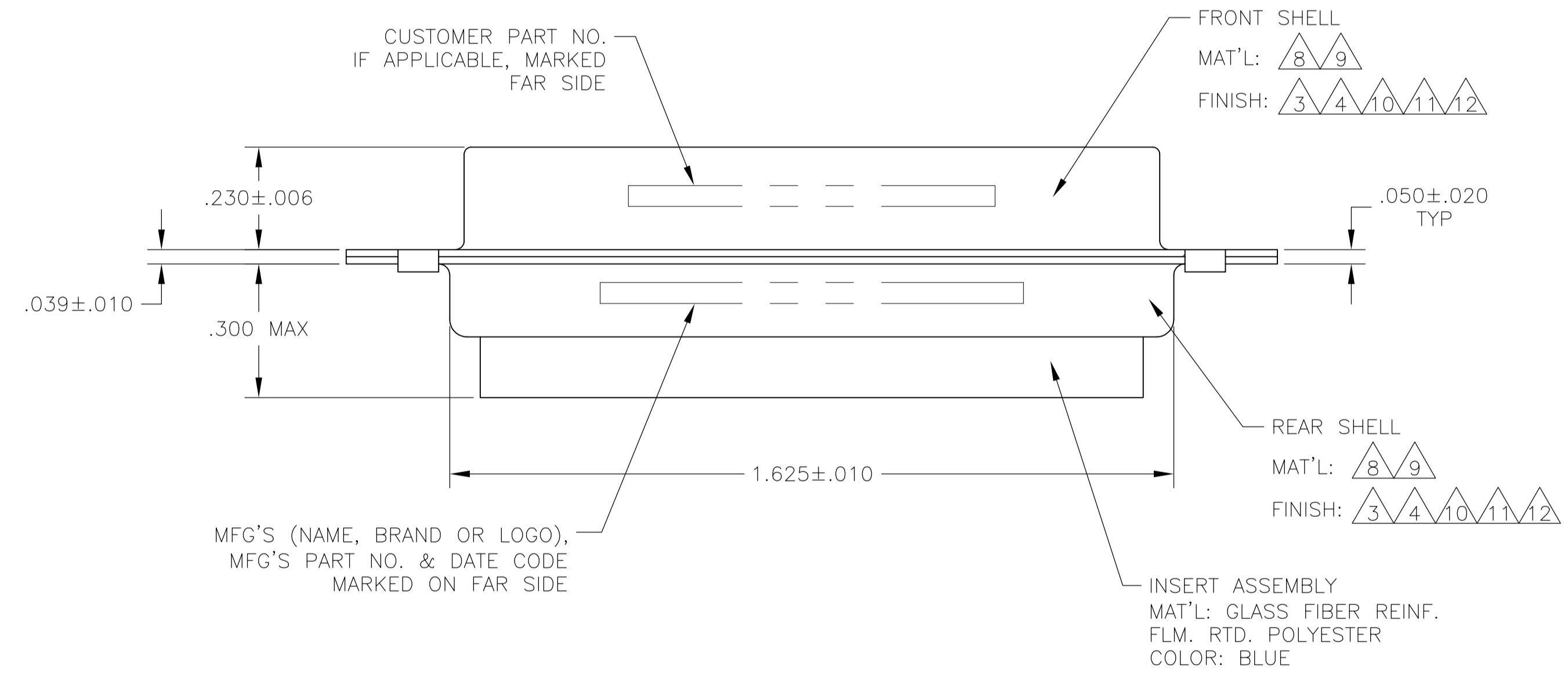
Address: A1208, Overseas Decoration Building, #122 Zhenhua RD., Futian, Shenzhen, China



LOC	DIST	REVISIONS			
DF	DO	REV	DESCRIPTION	DATE	BY
		T	REVISED PER ECO-12-004104	16MAR12	PY RL



- THIS PLUG WILL MATE WITH ANY 5C5, SIZE 3 RECEPTACLE IN AMPLIMITE SERIES.
- USE (5) SIZE 8 POWER, OR COAX PIN CONTACTS. CONSULT PRODUCT ENGINEERING FOR MORE DETAILS.
- CADMIUM PLATED PER QQ-P-416, TYPE II, CLASS 2.
- FINISH: TIN PER ASTM-B-545 .000200 MIN THK OVER COPPER PER AMS2418 .000100-.000200 THK.
- GROUNDING INDENTS FOR 212491-3, 212491-5, 212491-9, 5-212491-3, & 5-212491-5 (NOT SHOWN ON DWG).
- 212491-5 & 5-212491-5 SUPPLIED WITH 4-40UNC-2B CLINCH NUTS IN THE MOUNTING HOLE LOCATIONS.
- UL/CSA DESIGNATION STAMPED IN THIS AREA, OPTIONAL.
- STEEL PER ASTM-A-109.
- BRASS PER ASTM-B-36 AND MIL-C-50.
- FINISH: PLATED GOLD PER MIL-G-45204, TYPE II, GRADE C OVER COPPER PLATE PER MIL-C-14550, CLASS IV.
- FINISH: TIN PER ASTM-B-545 .000400 MIN THK OVER COPPER PER AMS2418 .000050 MIN THK.
- FINISH: ZINC PLATE PER ASTM-B-633 .000200-.000400 THK WITH SUPPLEMENTARY CHROMATE (Cr3+).



NOT APPLICABLE	6	5, 8, 11	5-212491-5
NOT APPLICABLE	.120	5, 8, 11	5-212491-3
NOT APPLICABLE	.120	8, 12	5-212491-1
NOT APPLICABLE	.120	8, 11	1-212491-0
NOT APPLICABLE	.120	5, 8, 11	212491-9
B010942-0015	.120	9, 10	212491-8
311P405-10P-B-15	.154	9, 10	212491-7
311P405-10P-B-12	.120	9, 10	212491-6
NOT APPLICABLE	6	4, 5, 8	212491-5
97942-645A935H02	.120	3, 8	212491-4
NOT APPLICABLE	.120	4, 5, 8	212491-3
NOT APPLICABLE	.120	3, 8	212491-2
NOT APPLICABLE	.120	3, 8	212491-1
CUSTOMER PART NO.	φA	REMARKS	PART NO.

NOT RELEASED FOR PRODUCTION

THIS DRAWING IS A CONTROLLED DOCUMENT. **STE** TE Connectivity

DIMENSIONS: INCHES	TOLERANCES UNLESS OTHERWISE SPECIFIED:	0 PLC ± -	1 PLC ± -	2 PLC ± -	3 PLC ± .005(0.13)	4 PLC ± -	ANGLES ± 0°30'
MATERIAL	FINISH	WEIGHT					

APPROVED: A. EMADI, DATE: 09FEB88, NAME: PLUG ASSEMBLY AMPLIMITE 5C5 SIZE 3, SERIES 109, COAX MIX

SIZE: A1, CAGE CODE: 00779, DRAWING NO: 212491, RESTRICTED TO: CUSTOMER DRAWING, SCALE: 4:1, SHEET: 1 OF 1, REV: T