



Chipsmall Limited consists of a professional team with an average of over 10 year of expertise in the distribution of electronic components. Based in Hongkong, we have already established firm and mutual-benefit business relationships with customers from,Europe,America and south Asia,supplying obsolete and hard-to-find components to meet their specific needs.

With the principle of "Quality Parts,Customers Priority,Honest Operation,and Considerate Service",our business mainly focus on the distribution of electronic components. Line cards we deal with include Microchip,ALPS,ROHM,Xilinx,Pulse,ON,Everlight and Freescale. Main products comprise IC,Modules,Potentiometer,IC Socket,Relay,Connector.Our parts cover such applications as commercial,industrial, and automotives areas.

We are looking forward to setting up business relationship with you and hope to provide you with the best service and solution. Let us make a better world for our industry!



Contact us

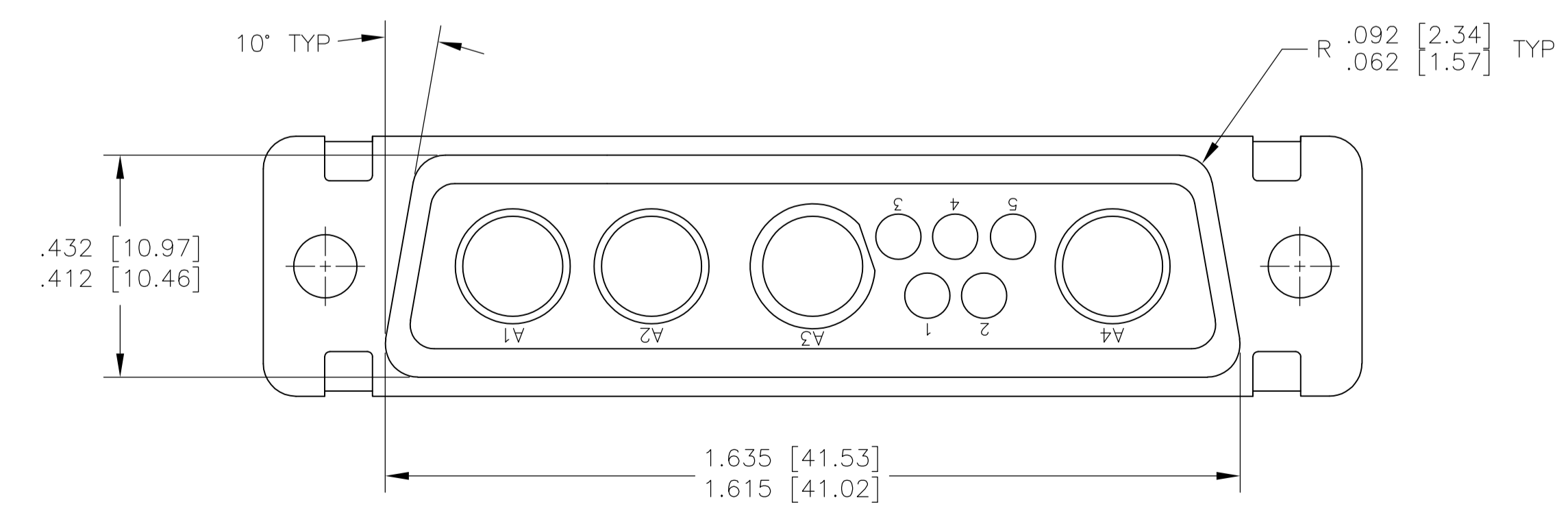
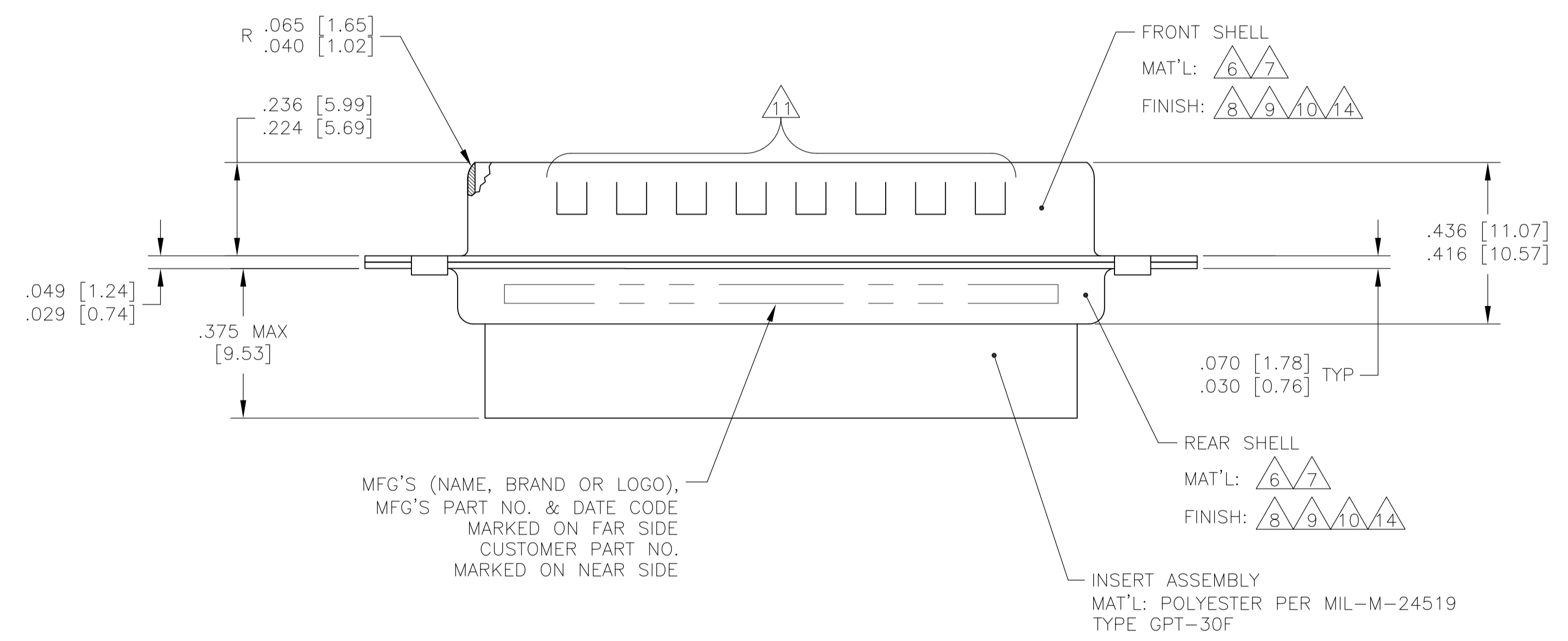
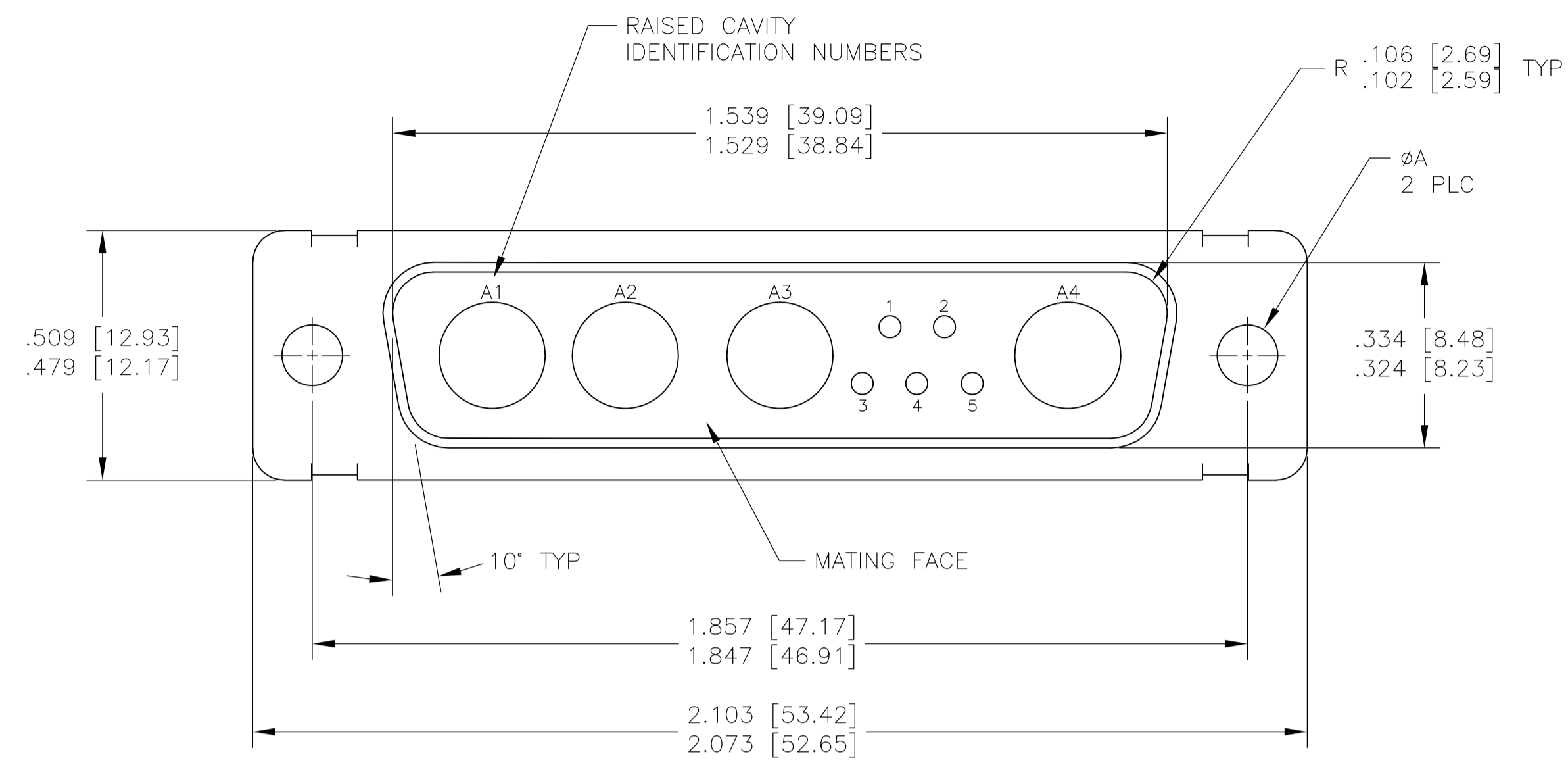
Tel: +86-755-8981 8866 Fax: +86-755-8427 6832

Email & Skype: info@chipsmall.com Web: www.chipsmall.com

Address: A1208, Overseas Decoration Building, #122 Zhenhua RD., Futian, Shenzhen, China



REVISONS		DATE	OWN	APVD
LOC	DIST	DESCRIPTION		
S	REV PER ECO	13-005937	4-10-13	CT RL



1. THIS CONNECTOR ASSEMBLY IS SUPPLIED WITH SIZE 20 METAL CONTACT RETENTION CLIPS INSTALLED IN THE INSERT ASSEMBLY.
2. THIS CONNECTOR ASSEMBLY MATES WITH ANY 9C4, SIZE 3 RECEPTACLE CONNECTOR IN THE AMPLIMITE SERIES.
3. MARK WITH .047 [1.19]-.062 [1.57] HIGH CHARACTERS. FAR SIDE REFERS TO THE WIDE SIDE OF THE KEYSTONE. FAR SIDE MARKINGS MAY BE SPLIT BETWEEN FRONT AND REAR SHELLS.
4. PART NUMBER FOR ORDERING.
5. THIS CONNECTOR ASSEMBLY IS DESIGNED TO ACCEPT SIZE 20 CRIMP TYPE PIN CONTACTS IN POSITIONS 1 THRU 5 (NOT SUPPLIED) AND SIZE 8 PIN CONTACTS IN POSITIONS A1 THRU A4 (NOT SUPPLIED).
6. MATERIAL: STEEL PER ASTM-A-109 OR EQUIVALENT.
7. MATERIAL: BRASS ALLOY PER ASTM-B-36.
8. FINISH: GOLD PER MIL-G-45204 TYPE II, GRADE C, CLASS 1 OVER COPPER PER MIL-C-14550, CLASS IV.
9. FINISH: CADMIUM PER QQ-P-416, TYPE II, CLASS 2 OVER COPPER PER MIL-C-14550, CLASS IV.
10. FINISH: TIN PER ASTM-B-545 .000400 [0.0102] MIN THK OVER COPPER PER AMS2418 .000050 [.00127] MIN THK.
11. GROUNDING INDENTS FOR 212498-4 & 5-212498-4 ONLY.
12. DIMENSIONS AND TOLERANCES PER ANSI Y14.5M-1982.
13. THIS DRAWING SHALL BE INTERPRETED IN ACCORDANCE WITH APPLICABLE STANDARDS LISTED IN MIL-STD-100.
14. FINISH: ZINC PLATE PER ASTM-B-633 .000200-.000400 THK WITH SUPPLEMENTARY CHROMATE (Cr3+).

6, 9	.120 [3.05]	T5935-0103-007	212498-6	212498-6
6, 11, 10	.120 [3.05]	-	5-212498-4	5-212498-4
6, 14	.120 [3.05]	-	5-212498-1	5-212498-1
6, 10, 11	.120 [3.05]	-	212498-4	212498-4
7, 8	.154 [3.92]	311P405-11-B-15	212498-3	212498-3
7, 8	.120 [3.05]	311P405-11-B-12	212498-2	212498-2
6, 9	.120 [3.05]	-	212498-1	212498-1
REMARKS	ØA	3 CUSTOMER P/N ON CONNECTOR	3 MFG'S P/N ON CONNECTOR	4 PART NO.

THIS DRAWING IS A CONTROLLED DOCUMENT.

DIMENSIONS: INCHES	TOLERANCES UNLESS OTHERWISE SPECIFIED:	0 PLC ± -	1 PLC ± -	2 PLC ± -	3 PLC ± .005(0.13)	4 PLC ± -	ANGLES ± 0° 30'
--------------------	--	-----------	-----------	-----------	--------------------	-----------	-----------------

MATERIAL: - FINISH: -

APPROVED: AJ GRAFF 03MAR93, R GILLMAN 04MAR93, R GILLMAN 04MAR93

NAME: AMPLIMITE PLUG ASSEMBLY, CRIMP SNAP, COAX MIX 9C4 SERIES 109, SHELL SIZE 3

SIZE: A1 00779 C=212498

WEIGHT: -

CUSTOMER DRAWING SCALE: 4:1 SHEET: 1 OF 1 REV: S