



Chipsmall Limited consists of a professional team with an average of over 10 year of expertise in the distribution of electronic components. Based in Hongkong, we have already established firm and mutual-benefit business relationships with customers from,Europe,America and south Asia,supplying obsolete and hard-to-find components to meet their specific needs.

With the principle of "Quality Parts,Customers Priority,Honest Operation,and Considerate Service",our business mainly focus on the distribution of electronic components. Line cards we deal with include Microchip,ALPS,ROHM,Xilinx,Pulse,ON,Everlight and Freescale. Main products comprise IC,Modules,Potentiometer,IC Socket,Relay,Connector.Our parts cover such applications as commercial,industrial, and automotives areas.

We are looking forward to setting up business relationship with you and hope to provide you with the best service and solution. Let us make a better world for our industry!



Contact us

Tel: +86-755-8981 8866 Fax: +86-755-8427 6832

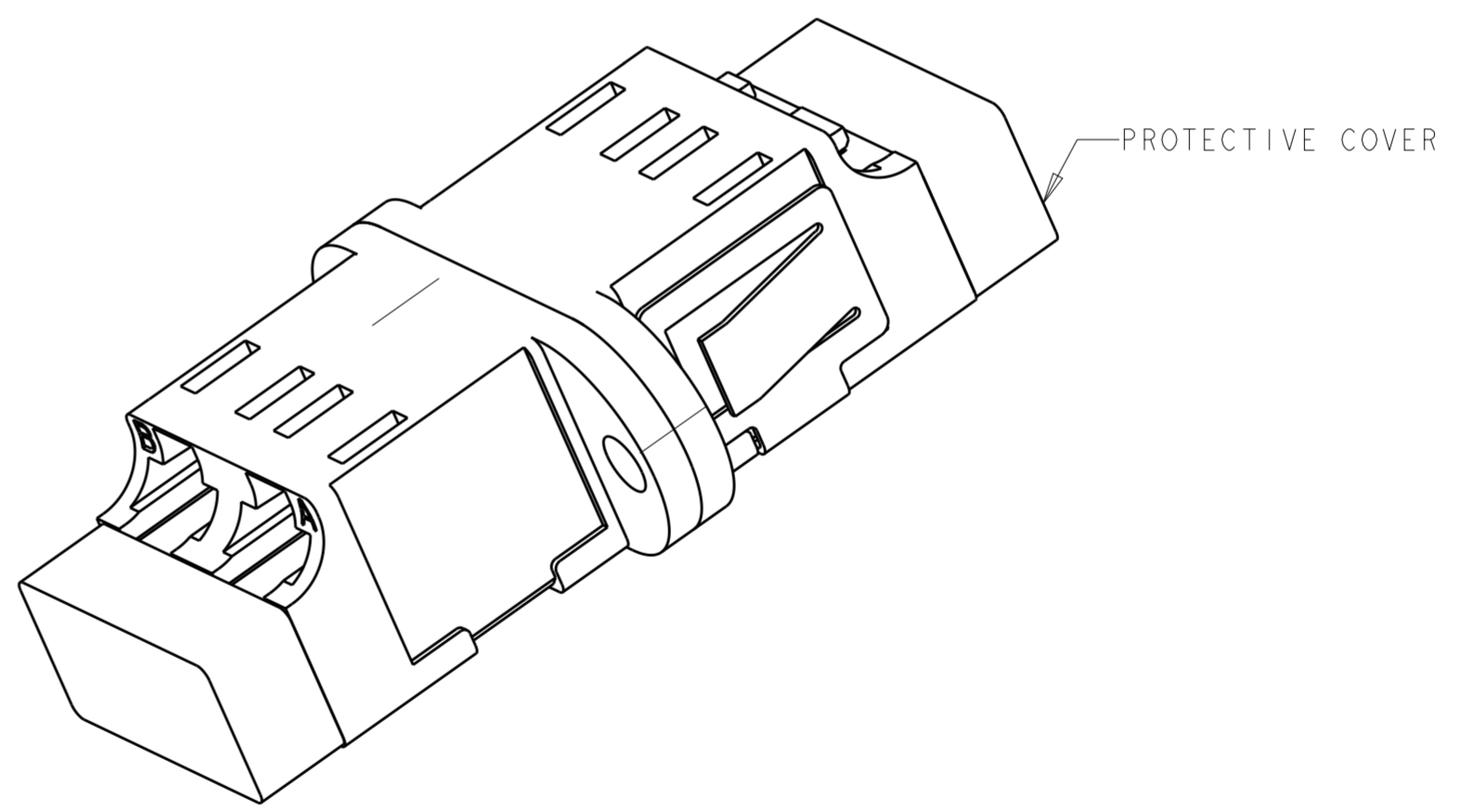
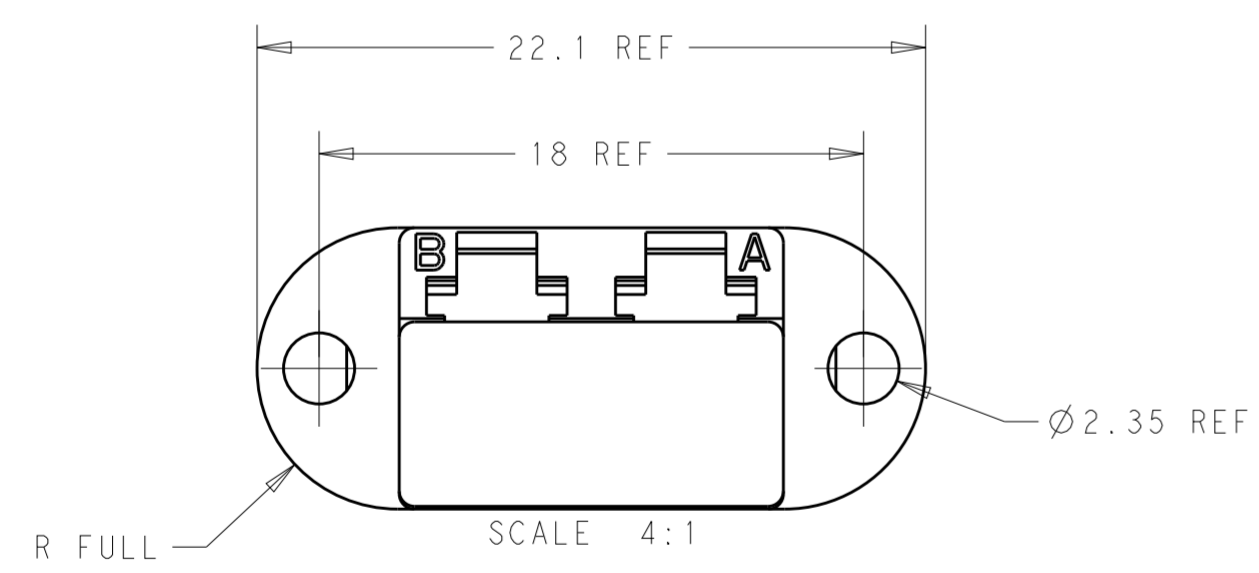
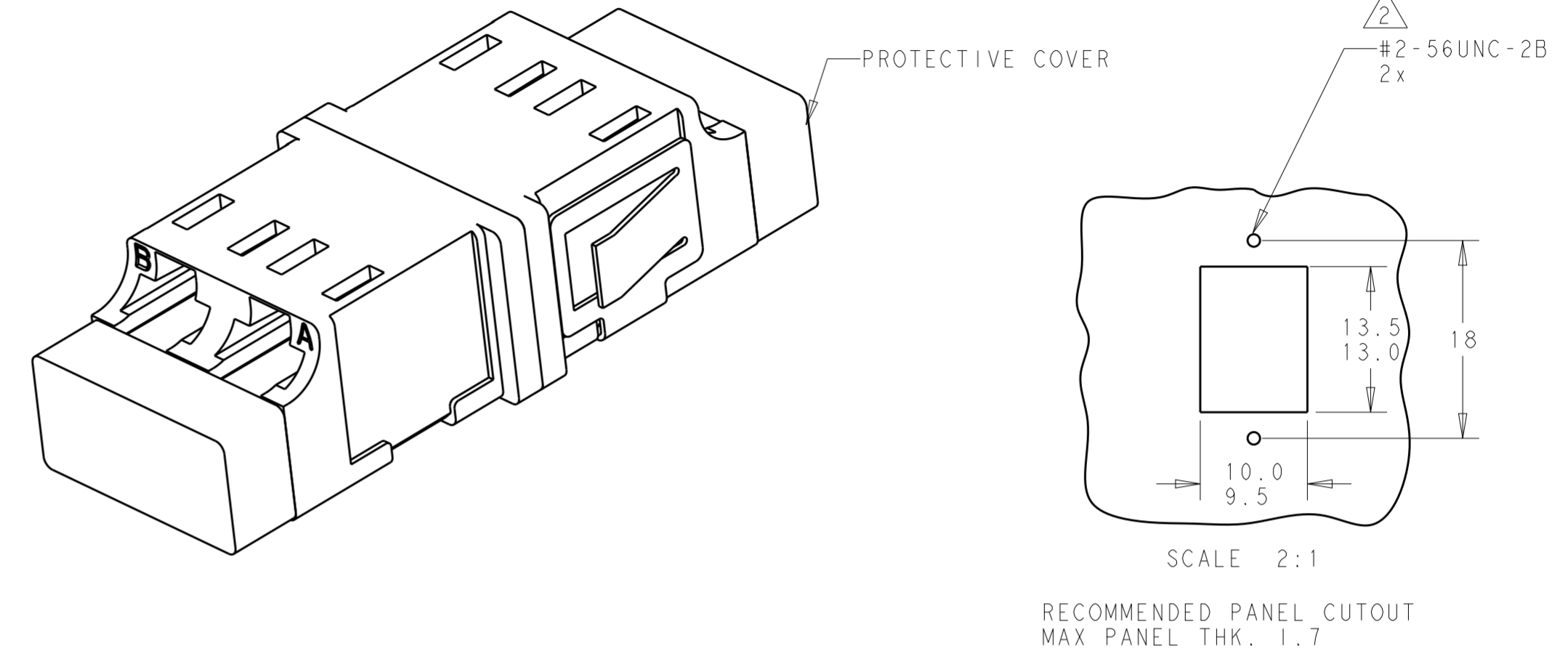
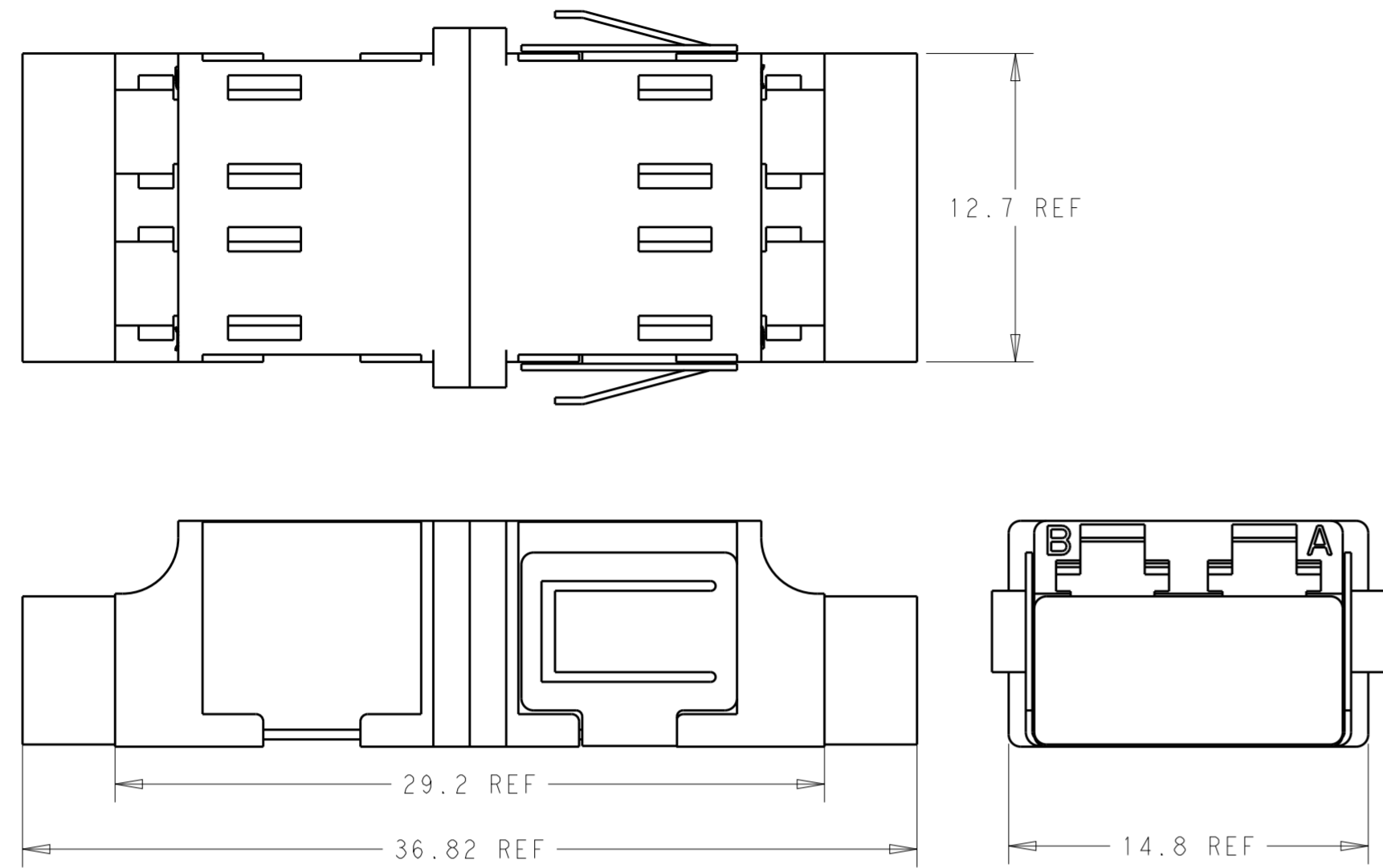
Email & Skype: info@chipsmall.com Web: www.chipsmall.com

Address: A1208, Overseas Decoration Building, #122 Zhenhua RD., Futian, Shenzhen, China



THIS DRAWING IS UNPUBLISHED. RELEASED FOR PUBLICATION 20
 © COPYRIGHT 20 ALL RIGHTS RESERVED.

LOC	DIST	REVISIONS			
P	LTR	DESCRIPTION	DATE	DWN	APVD
HG	-	B	ECR-15-006098	23APR2015	HZ RZ



1 MATERIAL:
 ADAPTER HOUSING: THERMOPLASTIC PPE-PS, COLOR: GREEN*
 PROTECTIVE COVER: TPE, COLOR: BLACK*
 ALIGNMENT SLEEVES: CERAMIC
 *UL 94 V-0 RATED AT QUALIFYING THICKNESS

2 HOLES NOLY APPLIED FOR FLANGED TYPES

GREEN	LC ADAPTER, FLANGED	2125019-2
GREEN	LC ADAPTER, FLANGELESS	2125019-1
ADAPTER COLOR	DESCRIPTION	PART NO.

THIS DRAWING IS A CONTROLLED DOCUMENT.		DWN 29NOV2010 Debbie Du	TE Connectivity	
DIMENSIONS: mm		CHK 29NOV2010 Hawk.Xue		
TOLERANCES UNLESS OTHERWISE SPECIFIED:		APVD 29NOV2010 Carlson Tong	NAME LC ADAPTER ASSEMBLY, DUPLEX	
0 PLC ± 1 PLC ± 2 PLC ± 3 PLC ± 4 PLC ± ANGLES ± FINISH		PRODUCT SPEC -	SIZE A2	CAGE CODE 00779
MATERIAL 1		APPLICATION SPEC -	DRAWING NO C-2125019	RESTRICTED TO -
CUSTOMER DRAWING		WEIGHT -	SCALE A2	SHEET 1 OF 1 REV B